

Installation: hazardous areas - Zone 1 / 2 (Gases) - Zone 21 / 22 (Dusts)
Classification: Group II - Category 2G 2D

Certificate
NEMA Type 4X



REFERENCE STANDARDS

Directive 2014/34/EU

EXECUTION	<ul style="list-style-type: none"> ⊗ II 2 G Ex e IIB or IIC T6 ÷ T3 Gb ⊗ II 2 D Ex tb IIIC T85°C ÷ T200°C Db
RULES OF COMPLIANCE	EN/IEC 60079-0; EN/IEC 60079-1; EN/IEC 60079-7; EN/IEC 60079-11; EN/IEC 60079-18; EN/IEC 60079-31
EC Type-Examination Certificate	INERIS 02 ATEX 0067X
PROTECTION DEGREE	IP66
AMBIENT TEMPERATURE	-60°C ÷ +60°C (+160°C with ceramic terminals)
OTHER AVAILABLE CERTIFICATES	Component: INERIS 13 ATEX 9028U IECEx: IECEx INE11.0016 INMETRO: CEPEL 12.2159 EAC: TC RU C-IT.ГБ02.B.00689/18 RINA: ELE139017CS002 RUSSIAN MARINE CERTIFICATE (RMRS): 19.02521.280 NEC 505: UL 20141112-E465037 Type rating NEMA 1, 12, 4 and 4X

Mechanical characteristics

Body	stainless steel AISI-316L - th. 1,5mm
Cover	stainless steel AISI-316L - th. 1,5mm
Screws	stainless steel AISI-316L
Internal plate	stainless steel AISI-316L - th. 1,5mm
Gasket	silicon rubber
Fixing	stainless steel AISI-316L fixing lugs, adjustable on horizontal / vertical / 45° position
Closing	with key (on demand) / with screws (on standard)



On Request Accessories:

- Hinges system (universal positioning setup)
- External fixing lugs for supplied loose (new positioning setup)
- Padlockable lid system and/or closing with key device
- External epoxy painting with colour on request
- Internal anticondensate painting orange RAL-2004
- Drain and breather valves
- Removable flanges on side walls (see identification table)
- Documents holders and name plate holder
- Different thickness (body - cover - internal plate)

Technical Features

LONG SIDE		SHORT SIDE		HEIGHT		LONG SIDE FLANGE						SHORT SIDE FLANGE						TYPE OF CLOSING						ACCES-SORIES	FIXING LUGS	INTERNAL HEIGHT	PLATE X-Y	WEIGHT	DETAIL						
TYPE	A [mm]	TYPE	B [mm]	TYPE	C [mm]	0	1	2	3	4	5	6	0	1	2	3	4	5	6	CSS	CVL	CVC	SHL	SHC	PKL	PKC	0	T	P	0	K	D [mm]	[mm]	[Kg]	
013	130	013	130	B	90	0	1	2	3	4	5	6	0	1	2	3	4	5	6	CSS	CVL	CVC	SHL	SHC	PKL	PKC	0	T	P	0	K	55	80-80	1,50	A1
017	170	017	170	B	90	0	1	2	3	4	5	6	0	1	2	3	4	5	6	CSS	CVL	CVC	SHL	SHC	PKL	PKC	0	T	P	0	K	55	120-120	2,00	A1
022	220	016	165	A	150	0	1	2	3	4	5	6	0	1	2	3	4	5	6	CSS	CVL	CVC	SHL	SHC	PKL	PKC	0	T	P	0	K	115	170-115	4,00	A
		022	220	A	150	0	1	2	3	4	5	6	0	1	2	3	4	5	6	CSS	CVL	CVC	SHL	SHC	PKL	PKC	0	T	P	0	K	115	170-170	4,50	
033	330	022	220	A	150	0	1	2	3	4	5	6	0	1	2	3	4	5	6	CSS	CVL	CVC	SHL	SHC	PKL	PKC	0	T	P	0	K	115	280-170	5,50	A
		033	330	A	150	0	1	2	3	4	5	6	0	1	2	3	4	5	6	CSS	CVL	CVC	SHL	SHC	PKL	PKC	0	T	P	0	K	115	280-280	7,50	A
040	400	040	400	D	200	0	1	2	3	4	5	6	0	1	2	3	4	5	6	CSS	CVL	CVC	SHL	SHC	PKL	PKC	0	T	P	0	K	165	350-350	8,50	A
044	440	033	330	A	150	0	1	2	3	4	5	6	0	1	2	3	4	5	6	CSS	CVL	CVC	SHL	SHC	PKL	PKC	0	T	P	0	K	115	390-280	9,00	A
052	520	042	420	D	200	0	1	2	3	4	5	6	0	1	2	3	4	5	6	CSS	CVL	CVC	SHL	SHC	PKL	PKC	0	T	P	0	K	165	470-370	12,50	A
063	630	048	480	D	200	0	1	2	3	4	5	6	0	1	2	3	4	5	6	CSS	CVL	CVC	SHL	SHC	PKL	PKC	0	T	P	0	K	165	580-430	16,50	A
150	1500	110	1100	G	900	0	1	2	3	4	5	6	0	1	2	3	4	5	6	CSS	CVL	CVC	SHL	SHC	PKL	PKC	0	T	P	0	K	865	1450-1050	145	A
200	2000	180	1800	H	600	0	1	2	3	4	5	6	0	1	2	3	4	5	6	CSS	CVL	CVC	SHL	SHC	PKL	PKC	0	T	P	0	K	565	1950-1750	215	A



EXAMPLES

ESX#	013	013	B	0	0	CSS	0	0
------	-----	-----	---	---	---	-----	---	---

ESX#013013B00CSS00 = dimensions: 130x130x90, without flanges, closing lid with screws, without accessories, fixing lugs excluded.

ESX#	044	033	A	1	1	CVL	T	K
------	-----	-----	---	---	---	-----	---	---

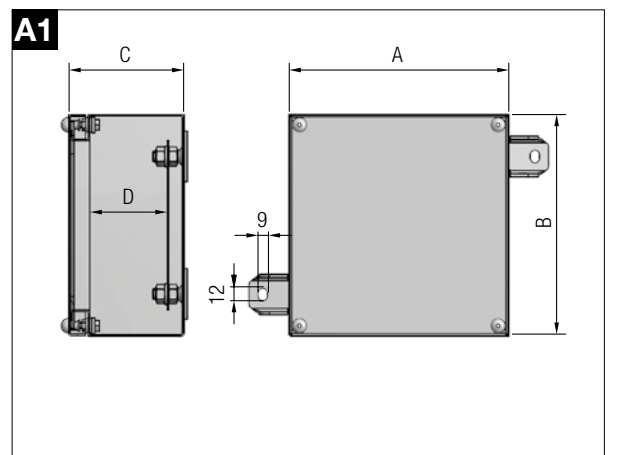
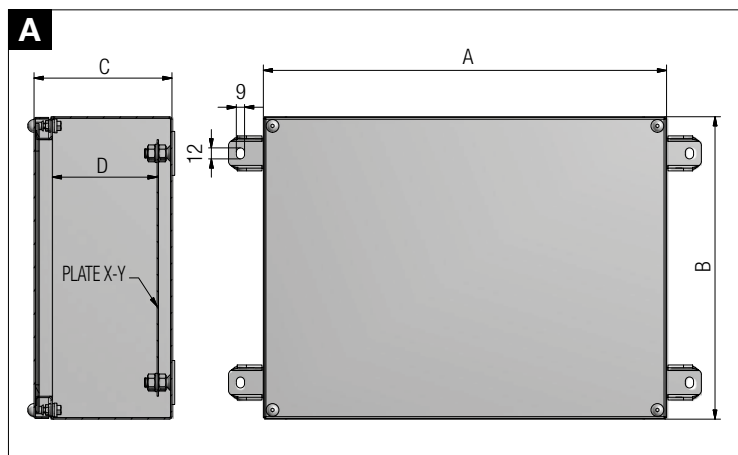
ESX#044033A11CVLTK = dimensions: 440x330x150, 1 flange long side, 1 flange short side, closing lid with hinges and screws long side, with internal documents holder and fixing lugs included.

N°	Long Side Flange	N°	Short Side Flange	Code	Type of closing
0	without flanges	0	without flanges	CSS	closing lid with screws
1	n. 1 flange long side	1	n. 1 flange short side	CVL	closing lid with hinges and screws, long side
2	n. 2 flanges long side	2	n. 2 flanges short side	CVC	closing lid with hinges and screws, short side
3	n. 1 flange 3 mm thickness long side	3	n. 1 flange 3 mm thickness short side	SHL	closing lid with hinges and key, long side
4	n. 2 flanges 3 mm thickness long side	4	n. 2 flanges 3 mm thickness short side	SHC	closing lid with hinges and key, short side
5	n. 1 double flange long side	5	n. 1 double flange short side	PKL	closing lid with hinges and padlock, long side
6	n. 2 double flanges long side	6	n. 2 double flanges short side	PKC	closing lid with hinges and padlock, short side

Code	Accessories
0	without accessories
T	with internal documents holder
P	with plateholder

Code	Fixing Lugs
0	fixing lugs excluded
K	fixing lugs included

Reference Details

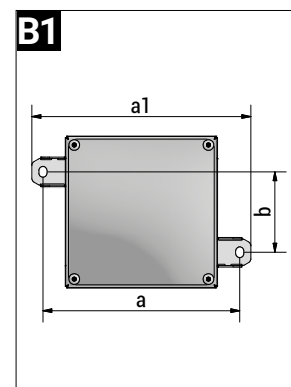
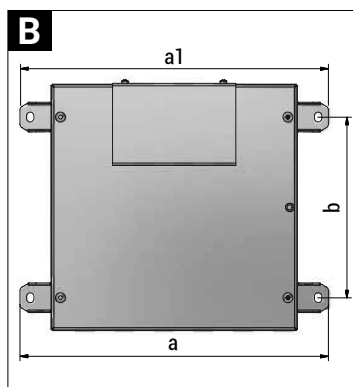




DISTANCE BETWEEN FIXING CENTERS

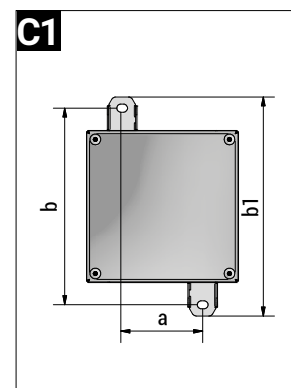
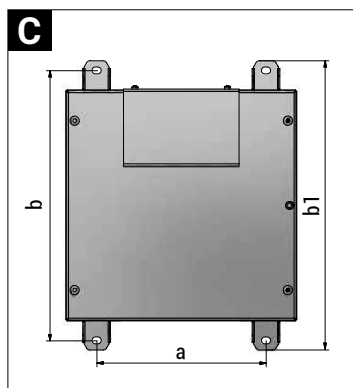
Horizontal position

ENCLOSURE	a	b	a1	DETAIL
ESX#1313	180	50	205	B1
ESX#1717	220	90	245	B1
ESX#2216	270	85	295	B
ESX#2222	270	140	295	B
ESX#3322	380	140	405	B
ESX#3333	380	250	405	B
ESX#4040	450	320	475	B
ESX#4433	490	250	515	B
ESX#5242	570	340	595	B
ESX#6348	680	400	705	B
ESX#150110	* for further details, please contact our technical sales department			
ESX#200180	* for further details, please contact our technical sales department			



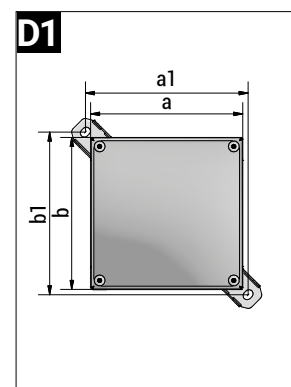
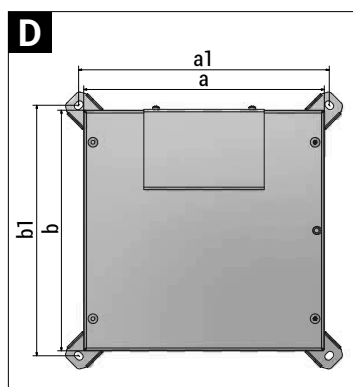
Vertical position

Enclosure	a	b	b1	DETAIL
ESX#1313	50	180	205	C1
ESX#1717	90	220	245	C1
ESX#2216	140	210	235	C
ESX#2222	140	270	295	C
ESX#3322	250	270	295	C
ESX#3333	250	380	405	C
ESX#4040	320	450	475	C
ESX#4433	360	380	405	C
ESX#5242	440	470	495	C
ESX#6348	550	530	555	C
ESX#150110	* for further details, please contact our technical sales department			
ESX#200180	* for further details, please contact our technical sales department			



45° position

Enclosure	a	b	a1	b1	DETAIL
ESX#1313	143	143	175	175	D1
ESX#1717	183	183	215	215	D1
ESX#2216	233	178	265	205	D
ESX#2222	233	233	265	265	D
ESX#3322	343	233	375	265	D
ESX#3333	343	343	375	375	D
ESX#4040	413	413	445	445	D
ESX#4433	453	343	485	375	D
ESX#5242	533	433	565	465	D
ESX#6348	643	493	675	525	D
ESX#150110	* for further details, please contact our technical sales department				
ESX#200180	* for further details, please contact our technical sales department				

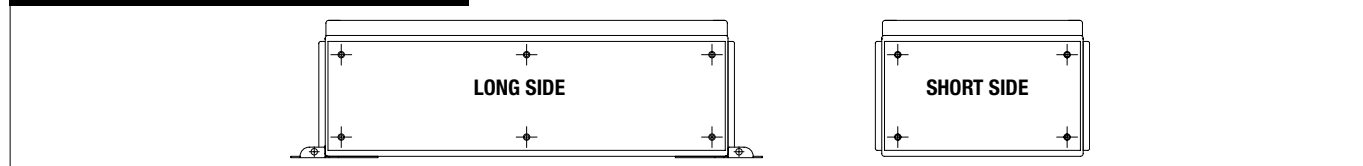


Removable flanges indicative maximum quantity of holes of the same size

ENCLOSURE CODE	DRILLING AREA LONG SIDE							
	QUANTITY ALLOWED ENTRIES FOR SIZE (from 1 to size 8)							
	1	2	3	4	5	6	7	8
ESX#2216	8	5	4	3	2	2	1	/
ESX#2222	8	5	4	3	2	2	1	/
ESX#3322	12	8	7	4	4	3	3	/
ESX#3333	12	8	7	4	4	3	3	/
ESX#4040	14	10	8	6	5	4	3	/
ESX#4433	18	13	11	8	6	5	4	/
ESX#5242	40	28	22	16	14	12	8	4
ESX#6348	24	17	14	10	9	7	5	/
ESX#150110	* for further details, please contact our technical sales department							
ESX#200180	* for further details, please contact our technical sales department							

ENCLOSURE CODE	DRILLING AREA SHORT SIDE							
	QUANTITY ALLOWED ENTRIES FOR SIZE (from 1 to size 8)							
	1	2	3	4	5	6	7	8
ESX#2216	6	3	2	2	1	1	1	/
ESX#2222	8	5	4	3	2	2	1	/
ESX#3322	8	5	4	3	2	2	1	/
ESX#3333	12	8	7	4	4	3	3	/
ESX#4040	14	10	8	6	5	4	3	/
ESX#4433	14	9	7	5	4	3	3	/
ESX#5242	32	22	18	14	10	8	6	3
ESX#6348	18	13	10	8	6	5	4	/
ESX#150110	* for further details, please contact our technical sales department							
ESX#200180	* for further details, please contact our technical sales department							

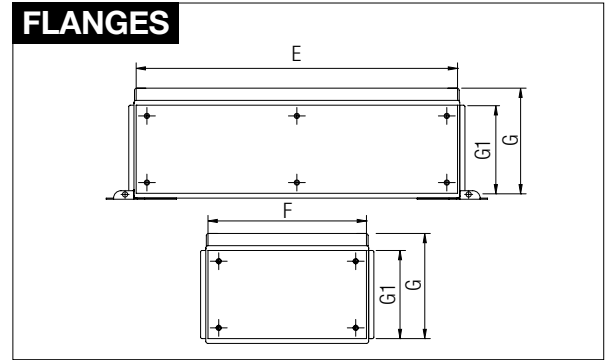
FLANGES DRILLING AREA



Removable flanges dimensions

CODE	E [mm]	F [mm]	G [mm]	G1 [mm]
ESX#2216	214	159	/	119
ESX#2222	214	214	/	119
ESX#3322	324	214	/	119
ESX#3333	324	324	/	119
ESX#4040	394	394	/	169
ESX#4433	484	359	/	119
ESX#5242	514	414	212,5	169
ESX#6348	624	474	/	169
ESX#150110	* for further details, please contact our technical sales department			
ESX#200180				

Reference Details



Indicative quantity of terminals and relevant section

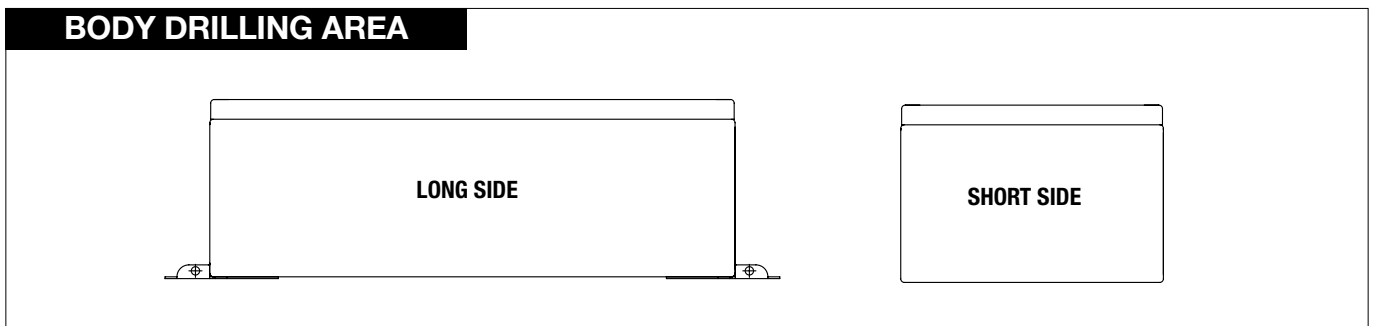
ENCLOSURE CODE	SECT. 2,5 [sq/mm]	SECT. 6,0 [sq/mm]	SECT. 10,0 [sq/mm]	SECT. 16,0 [sq/mm]	SECT. 35,0 [sq/mm]	SECT. 50,0 [sq/mm]	SECT. 70,0 [sq/mm]	SECT. 240,0 [sq/mm]	INT.PLATE X - Y [mm]
ESX#1313	8 x 1	5 x 1	4 x 1	4 x 1	3 x 1	2 x 1	1 x 1	/	80 - 80
ESX#1717	22 x 1	12 x 1	10 x 1	8 x 1	7 x 1	5 x 1	4 x 1	/	120 - 120
ESX#2216	30 x 1	18 x 1	14 x 1	12 x 1	9 x 1	8 x 1	6 x 1	1 x 1	170 - 115
ESX#2222	30 x 1	18 x 1	14 x 1	12 x 1	9 x 1	8 x 1	6 x 1	2 x 1	170 - 170
ESX#3322	48 x 1	30 x 1	24 x 1	18 x 1	15 x 1	12 x 1	11 x 1	2 x 1	280 - 170
ESX#3333	48 x 2	30 x 2	24 x 2	18 x 2	15 x 2	12 x 2	11 x 1	2 x 1	280 - 280
ESX#4040	70 x 2	42 x 2	34 x 2	28 x 2	22 x 2	18 x 2	16 x 1	4 x 1	350 - 350
ESX#4433	78 x 2	50 x 2	40 x 2	34 x 2	26 x 2	20 x 2	18 x 1	8 x 1	390 - 280
ESX#5242	86 x 2	55 x 2	44 x 2	36 x 2	28 x 2	22 x 2	19 x 2	6 x 1	470 - 370
ESX#6348	108 x 3	68 x 3	54 x 3	46 x 3	34 x 3	28 x 3	26 x 2	10 x 1	580 - 430
ESX#150110	* for further details, please contact our technical sales department								1450 - 1050
ESX#200180									1950 - 1750

Body enclosures indicative maximum quantity of holes of the same size

ENCLOSURE CODE	DRILLING AREA LONG SIDE							
	QUANTITY ALLOWED ENTRIES FOR SIZE (from 1 to size 8)							
	1	2	3	4	5	6	7	8
ESX#1313	2	2	/	/	/	/	/	/
ESX#1717	3	3	/	/	/	/	/	/
ESX#2216	8	8	6	5	3	2	2	1
ESX#2222	8	8	6	5	3	2	2	1
ESX#3322	12	12	10	8	4	4	3	2
ESX#3333	12	12	10	8	4	4	3	2
ESX#4040	18	14	12	9	6	4	3	3
ESX#4433	20	18	15	12	8	6	4	4
ESX#5242	44	27	24	21	16	14	10	5
ESX#6348	29	22	20	16	10	7	6	5
ESX#150110	* for further details, please contact our technical sales department							
ESX#200180								

ENCLOSURE CODE]	DRILLING AREA SHORT SIDE							
	QUANTITY ALLOWED ENTRIES FOR SIZE (from 1 to size 8)							
	1	2	3	4	5	6	7	8
ESX#1313	2	2	/	/	/	/	/	/
ESX#1717	3	3	/	/	/	/	/	/
ESX#2216	6	6	4	3	2	2	1	1
ESX#2222	8	8	6	5	3	2	2	1
ESX#3322	8	8	6	5	3	2	2	1
ESX#3333	12	12	10	8	4	4	3	2
ESX#4040	18	14	12	9	6	4	3	3
ESX#4433	14	14	10	8	5	4	3	3
ESX#5242	36	21	18	15	12	11	8	4
ESX#6348	21	16	15	12	7	5	4	3
ESX#150110	* for further details, please contact our technical sales department							
ESX#200180								

Reference Details



REMARK:

Due to the development of the national and international specifications and of the technology, the above technical characteristics showed on this bulletin can be considered as binding on our confirmation only.





Installation: hazardous areas - Zone 1 / 2 (Gases) - Zone 21 / 22 (Dusts)
Classification: Group II - Category 2G 2D



REFERENCE STANDARDS

Directive 2014/34/EU

EXECUTION	⊗ II 2 G Ex d e ia/ib mb IIC T6...T4 Gb ⊗ II 2 D Ex tb IIIC T85°C...T135°C Db
RULES OF COMPLIANCE	EN/IEC 60079-0; EN/IEC 60079-1; EN/IEC 60079-7; EN/IEC 60079-11; EN/IEC 60079-18; EN/IEC 60079-31
EC Type-Examination Certificate	INERIS 13 ATEX 0042
PROTECTION DEGREE	IP66
AMBIENT TEMPERATURE	-50°C ÷ +60°C
OTHER AVAILABLE CERTIFICATES	Component: INERIS 13ATEX 9009U IECEX: IECEX INE 13.0058 IECEX (component): IECEX INE 13.0021U INMETRO: CEPEL 13.2287 INMETRO (component): CEPEL 13.2273U EAC: TC RU C-IT.Г502.B.00689/18 RINA: ELE139017CS001 RUSSIAN MARINE CERTIFICATE (RMRS): 19.02521.280 NEC 505: UL 20141112-E465037 - Type rating NEMA 1, 12, 4 and 4X

Mechanical characteristics

Body	glass fibre reinforced polyester resin
Cover	glass fibre reinforced polyester resin
Screws	external - stainless steel
Internal plate	aluminium sp. 1,5mm
Gasket	silicon rubber
Strenght	4 Joule impact resistance



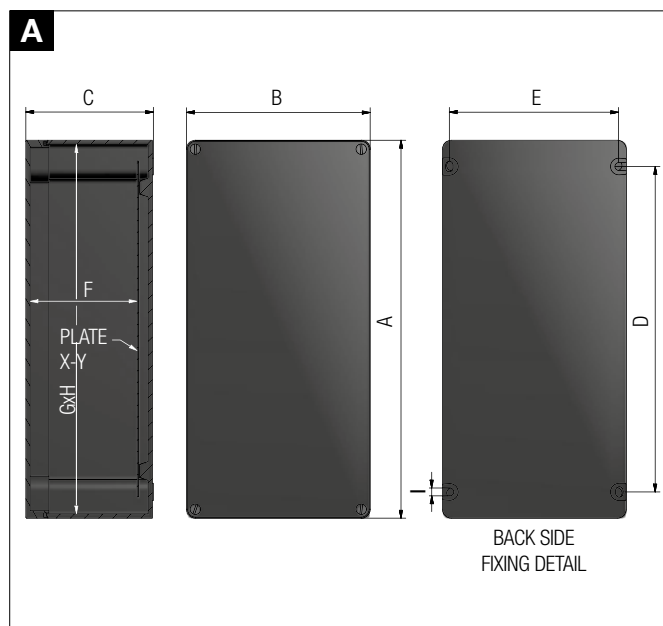
On Request Accessories:
• Drain and breather valves

Technical Features

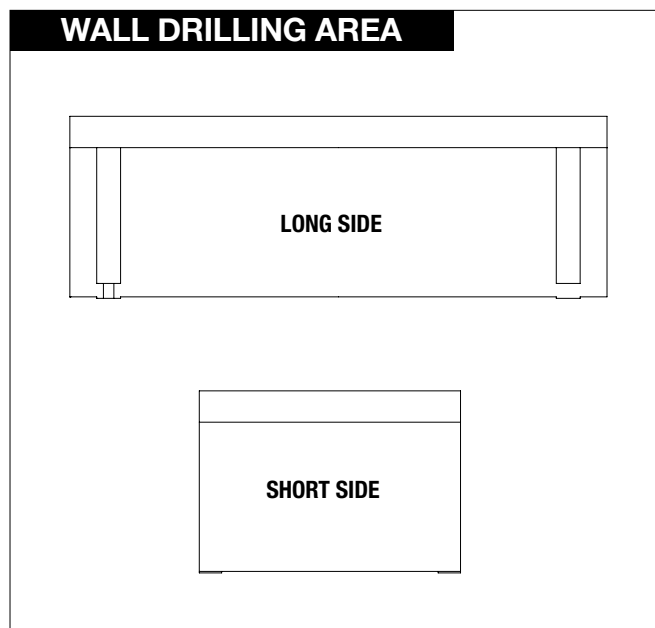
CODE	A [mm]	B [mm]	C [mm]	D [mm]	E [mm]	F [mm]	G [mm]	H [mm]	I [mm]	INT. PLATE X - Y [mm]	WEIGHT [Kg]	DETAIL
GWR11(1)	110	110	86	96	96	65	102	102	7	-	0,30	A
GWR14(1)	140	140	84	108	110	62	132	132	7	-	0,40	A
GWR21(1)	175	85	121	125	72	102	167	77	7	-	0,88	A
GWR22(1)	175	175	121	162	125	100	167	167	7	135 - 135	1,25	A
GWR42(1)	360	175	121	310	161	102	352	167	7	320 - 135	2,50	A
GWR44(1)	360	360	121	346	307	102	352	352	7	320 - 320	3,40	A
GWR84(1)	730	360	168	670	340	147	720	350	8	670 - 310	8,00	A

(1) ENCLOSURE'S COLOUR: N=BLACK RAL 9005 - B: LIGHT BLUE RAL 5015. EXAMPLES: GWR14N - GWR42B

Reference Details



Reference Details



Body enclosures indicative maximum quantity of holes of the same size

ENCLOSURE CODE	DRILLING AREA LONG SIDE							
	QUANTITY ALLOWED ENTRIES FOR SIZE (from 1 to size 8)							
	1	2	3	4	5	6	7	8
GWR11N	1	1	1	1	-	-	-	-
GWR14N	2	1	1	1	-	-	-	-
GWR21	4	2	2	2	1	1	1	-
GWR22	5	3	2	2	1	1	1	-
GWR42	12	8	7	5	4	4	3	-
GWR44	12	8	7	5	4	4	3	-
GWR84N	35	23	20	17	13	9	7	5

ENCLOSURE CODE	DRILLING AREA SHORT SIDE							
	QUANTITY ALLOWED ENTRIES FOR SIZE (from 1 to size 8)							
	1	2	3	4	5	6	7	8
GWR11N	1	1	1	-	-	-	-	-
GWR14N	2	1	1	1	-	-	-	-
GWR21	2	-	-	-	-	-	-	-
GWR22	5	3	2	2	1	1	1	-
GWR42	5	3	2	2	1	1	1	-
GWR44	12	8	7	5	4	4	3	-
GWR84N	17	11	9	8	6	4	3	2

Indicative quantity of terminals and relevant section

CODE ENCLOSURE	SECT. 2,5 [sq/mm]	SECT. 6,0 [sq/mm]	SECT. 10,0 [sq/mm]	SECT. 16,0 [sq/mm]	SECT. 35,0 [sq/mm]	SECT. 50,0 [sq/mm]	SECT. 70,0 [sq/mm]	SECT.240,0 [sq/mm]	INT.PLATE X - Y [mm]
GWR11N	12 x 1	8 x 1	6 x 1	5 x 1	3 x 1	-	-	-	-
GWR14N	18 x 1	10 x 1	8 x 1	7 x 1	5 x 1	-	-	-	-
GWR21	18 x 1	10 x 1	8 x 1	7 x 1	5 x 1	-	-	-	-
GWR22	18 x 2	10 x 2	10 x 1	8 x 1	6 x 1	4 x 1	4 x 1	-	135 - 135
GWR42	48 x 2	16 x 2	16 x 2	20 x 1	12 x 1	4 x 1	4 x 1	-	320 - 135
GWR44	48 x 2	37 x 2	34 x 2	29 x 2	12 x 2	16 x 1	16 x 1	4 x 1	320 - 320
GWR84N	92 x 3	74 x 3	68 x 3	58 x 3	32 x 2	32 x 2	32 x 2	14 x 1	670 - 310