



Installation: hazardous areas - Zone 1 / 2 (Gases) - Zone 21 / 22 (Dusts)
Classification: Group II - Category 2G 2D



REFERENCE STANDARDS

Directive 2014/34/EU

EXECUTION	<ul style="list-style-type: none"> ⊗ II 2 G Ex db IIC T6...T3 Gb ⊗ II 2 G Ex eb IIC T5...T3 Gb ⊗ II 2 D Ex tb IIIC T85°C...T200°C Db
RULES OF COMPLIANCE	EN/IEC 60079-0; EN/IEC 60079-1; EN/IEC 60079-7; EN/IEC 60079-31
EC Type-Examination Certificate	INERIS 03 ATEX 0048X
PROTECTION DEGREE	IP66
AMBIENT TEMPERATURE	-60°C ÷ +130°C
OTHER AVAILABLE CERTIFICATES	Component: INERIS 10 ATEX 9005U IECEx: IECEx INE 12.0021X Component: IECEx INE 12.0023U INMETRO: CEPEL 12.2193 Component INMETRO: CEPEL 12.2191U EAC: TC RU C-IT.Г502.B.00689/18 RUSSIAN MARINE CERTIFICATE (RMRS): 19.02521.280 UL NEC-505: 20131030-E365676 (GUB-S / GUB-SY Series)

Mechanical characteristics

Body	marine grade copper free aluminum - stainless steel AISI316L (size 17/27/37 only)
Cover	marine grade copper free aluminum - stainless steel AISI316L (size 17/27/37 only)
Screws	stainless steel
Gaskets	O-Ring sealing NBR



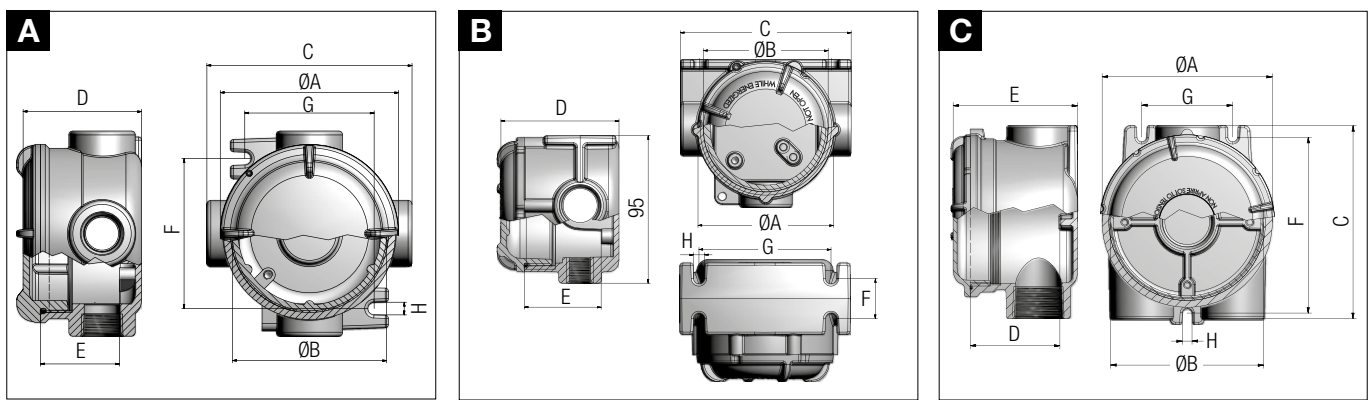
On Request Accessories:

- External epoxy painting with colour on request
- Internal anticorrosion painting orange RAL-2004
- Cast Iron on request

Technical Features

CODE	Ø A [mm]	Ø B [mm]	C [mm]	D [mm]	E [mm]	F [mm]	G [mm]	H [mm]	WEIGHT [Kg]	DETAIL
GUA...16	87	77	100	75	40	70	70	7	0,60	A
GUA...17	113	100	130	79	50	95	82	9	0,90	A
GUA...26	87	77	100	75	40	70	70	7	0,60	A
GUA...27	113	100	130	79	50	95	82	9	0,90	A
GUA...36	87	77	100	75	40	70	70	7	0,60	A
GUA...37	113	100	130	79	50	95	82	9	0,90	A
GUA...59	154	135	169	110	75	100	130	7,5	1,30	A
GUA...69	154	135	169	110	75	100	130	7,5	1,30	A
GUAY59	154	135	169	110	75	155	80	9	1,30	C
EAHF26	87	77	110	76	50	26	85	7	0,50	B

Reference details



Hubs arrangement

REFERENCE DETAILS	COMPLETE CODE	HUBS SIZE	REFERENCE DETAILS	COMPLETE CODE	HUBS SIZE
	GUAB16	2 x 1/2"		GUAW16	4 x 1/2"
	GUAB17	2 x 1/2"		GUAW17	4 x 1/2"
	GUAB26	2 x 3/4"		GUAW26	4 x 3/4"
	GUAB27	2 x 3/4"		GUAW27	4 x 3/4"
	GUAB36	2 x 1"		GUAW36	4 x 1"
	GUAB37	2 x 1"		GUAW37	4 x 1"
	GUAB59	2 x 1-1/2"		GUAW59	4 x 1-1/2"
	GUAB69	2 x 2"		GUAW69	4 x 2"
	GUAB69	2 x 2"		GUAW69	4 x 2"
	GUAL16	2 x 1/2"		GUAD16	3 x 1/2"
	GUAL17	2 x 1/2"		GUAD17	3 x 1/2"
	GUAL26	2 x 3/4"		GUAD26	3 x 3/4"
	GUAL27	2 x 3/4"		GUAD27	3 x 3/4"
	GUAL36	2 x 1"		GUAD36	3 x 1"
	GUAL37	2 x 1"		GUAD37	3 x 1"
	GUAL59	2 x 1-1/2"		GUAD59	3 x 1-1/2"
	GUAL69	2 x 2"		GUAD69	3 x 2"
	GUAL69	2 x 2"		GUAD69	3 x 2"
	GUAC16	2 x 1/2"		GUAY59	3 x 1-1/2"
	GUAC17	2 x 1/2"			
	GUAC26	2 x 3/4"			
	GUAC27	2 x 3/4"			
	GUAC36	2 x 1"			
	GUAC37	2 x 1"			
	GUAC59	2 x 1-1/2"			
	GUAC69	2 x 2"			
	GUAC69	2 x 2"			
	GUAT16	3 x 1/2"		GUAM16	3 x 1/2"
	GUAT17	3 x 1/2"		GUAM17	3 x 1/2"
	GUAT26	3 x 3/4"		GUAM26	3 x 3/4"
	GUAT27	3 x 3/4"		GUAM27	3 x 3/4"
	GUAT36	3 x 1"		GUAM36	3 x 1"
	GUAT37	3 x 1"		GUAM37	3 x 1"
	GUAT59	3 x 1-1/2"		GUAM59	3 x 1-1/2"
	GUAT69	3 x 2"		GUAM69	3 x 2"
	EAHF26	3 x 3/4"		GUAM69	3 x 2"
	EAHF26	3 x 3/4"		GUAM69	3 x 2"
	GUAX16	4 x 1/2"		GUAJ16	5 x 1/2"
	GUAX17	4 x 1/2"		GUAJ17	5 x 1/2"
	GUAX26	4 x 3/4"		GUAJ26	5 x 3/4"
	GUAX27	4 x 3/4"		GUAJ27	5 x 3/4"
	GUAX36	4 x 1"		GUAJ36	5 x 1"
	GUAX37	4 x 1"		GUAJ37	5 x 1"
	GUAX59	4 x 1-1/2"		GUAJ59	5 x 1-1/2"
	GUAX69	4 x 2"		GUAJ69	5 x 2"
	GUAX69	4 x 2"		GUAJ69	5 x 2"
	GUAX69	4 x 2"		GUAJ69	5 x 2"