



Installation: hazardous areas - Zone 2 (Gases) - Zone 22 (Dusts)
Classification: Group II - Category 3G 3D



REFERENCE STANDARDS

Directive 2014/34/EU

| | |
|---------------------------------|---|
| EXECUTION | ⊗ II 3 G Ex nA IIC T6/T5/T4 Gc ⊗ II 3 D Ex tc IIIC T85°C/T100°C/T135°C Dc |
| RULES OF COMPLIANCE | EN 60079-0; EN 60079-15; EN 60079-31 |
| EC Type-Examination Certificate | IMQ 08 ATEX 008X |
| PROTECTION DEGREE | IP65 |
| AMBIENT TEMPERATURE | -20°C ÷ +60°C |
| OTHER AVAILABLE CERTIFICATES | EAC: TC RU C-IT.BH02.B.00602 (-40°C ÷ +60°C) RUSSIAN MARINE CERTIFICATE (RMRS): 19.02519.280 |

Mechanical characteristics

| | |
|--------------------|--|
| Body | glass fibre reinforced polyester resin |
| Diffuser | U/V resistant polycarbonate - hinged to body |
| Safety closing | stainless steel hooks with safety device |
| Gaskets | EPDM 60 rubber suitable for high temperatures and resistant to environments conditions |
| Internal reflector | white stove enamelled sheet steel |
| Cable entry | complete with 1 PVC cable gland + 1 PVC stopping plug |

Electrical characteristics

| | |
|----------------|--|
| Power supply | dual channel electronic ballast: - 110÷240Vac - 50/60 Hz (cos ρ ≥ 0,98) - 110÷240Vdc |
| Emergency unit | emergency unit with autonomy from 120 min. - (inverter) 220÷240V 50/60Hz |
| Lampholders | bi-pin G13 cap |
| Terminals | suitable up to 6 sq/mm cables |

(*) The lighting fittings must be used appropriately without changing the mechanical and protection features, and must not be installed on surfaces subject to strong vibrations, outdoor on cables or poles. Direct exposure to sunlight could compromise the mechanical protection degree.



On Request Accessories:

- Pole mounting kit complete with stainless steel hardware
- Ceiling mounting kit complete with stainless steel hardware
- Pendant mounting kit complete with stainless steel hardware
- Wall/Structure mounting kit complete with stainless steel hardware
- Electronic ballast with voltage supply different than standard
- Ex-de safety switch
- AUTOTEST electronic system for emergency unit
- Up to 4 cable entries

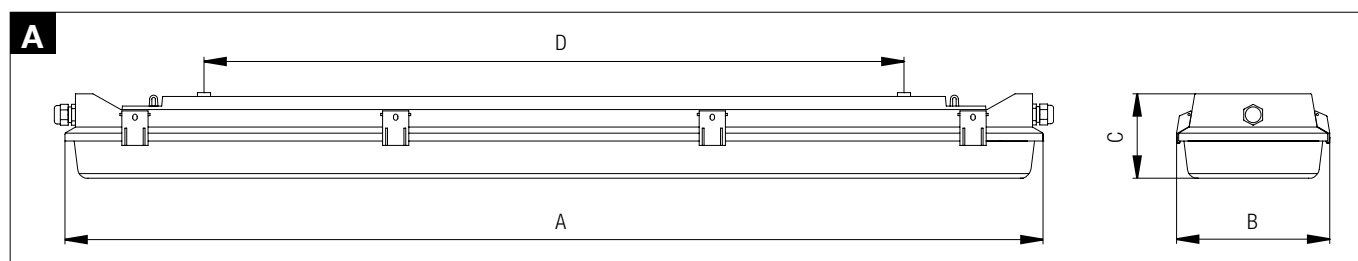
Technical data

| CODE | LAMP | TEMPERATURE CLASS (GAS) | TEMPERATURE CLASS (DUSTS) | LAMPHOLDER | CABLE ENTRY WITH CABLE GLAND | EMERGENCY UNIT | AUTONOMY | DETAIL |
|---|---------|-------------------------|---------------------------|------------|------------------------------|----------------|----------|--------|
| FLUORESCENT LIGHTING FIXTURES FOR SINGLE AND TWIN LAMPS - POWER SUPPLY (110±240Vac - 50/60 Hz) - (110±240Vdc) | | | | | | | | |
| EVSN118EL | 1 x 18W | T6 (AT = 40°C) | T 85°C | G13 | 2 x M20 | - | - | A |
| | | T5 (AT = 50°C) | T100°C | | | | | |
| | | T4 (AT = 60°C) | T135°C | | | | | |
| EVSN136EL | 1 x 36W | T6 (AT = 40°C) | T 85°C | G13 | 2 x M20 | - | - | A |
| | | T5 (AT = 50°C) | T100°C | | | | | |
| | | T4 (AT = 60°C) | T135°C | | | | | |
| EVSN158EL | 1 x 58W | T5 (AT = 60°C) | T100°C | G13 | 2 x M20 | - | - | A |
| EVSN218EL | 2 x 18W | T6 (AT = 40°C) | T 85°C | G13 | 2 x M20 | - | - | A |
| | | T5 (AT = 50°C) | T100°C | | | | | |
| | | T4 (AT = 60°C) | T135°C | | | | | |
| EVSN236EL | 2 x 36W | T6 (AT = 40°C) | T 85°C | G13 | 2 x M20 | - | - | A |
| | | T5 (AT = 50°C) | T100°C | | | | | |
| | | T4 (AT = 60°C) | T135°C | | | | | |
| EVSN258EL | 2 x 58W | T5 (AT = 60°C) | T100°C | G13 | 2 x M20 | - | - | A |
| EMERGENCY FLUORESCENT LIGHTING FIXTURES FOR SINGLE AND TWIN LAMPS - POWER SUPPLY (inverter) 220±240V - 50/60Hz | | | | | | | | |
| EVSNE118EL | 1 x 18W | T6 (AT = 40°C) | T 85°C | G13 | 2 x M20 | 4,8V - 4Ah | 120 min. | A |
| | | T5 (AT = 50°C) | T100°C | | | | | |
| | | T4 (AT = 60°C) | T135°C | | | | | |
| EVSNE136EL | 1 x 36W | T6 (AT = 40°C) | T 85°C | G13 | 2 x M20 | 4,8V - 4Ah | 120 min. | A |
| | | T5 (AT = 50°C) | T100°C | | | | | |
| | | T4 (AT = 60°C) | T135°C | | | | | |
| EVSN158EL | 1 x 58W | T5 (AT = 60°C) | T100°C | G13 | 2 x M20 | 4,8V - 4Ah | 120 min. | A |
| EVSNE218EL | 2 x 18W | T6 (AT = 40°C) | T 85°C | G13 | 2 x M20 | 4,8V - 4Ah | 120 min. | A |
| | | T5 (AT = 50°C) | T100°C | | | | | |
| | | T4 (AT = 60°C) | T135°C | | | | | |
| EVSNE236EL | 2 x 36W | T6 (AT = 40°C) | T 85°C | G13 | 2 x M20 | 4,8V - 4Ah | 120 min. | A |
| | | T5 (AT = 50°C) | T100°C | | | | | |
| | | T4 (AT = 60°C) | T135°C | | | | | |
| EVSN258EL | 2 x 58W | T5 (AT = 60°C) | T100°C | G13 | 2 x M20 | 4,8V - 4Ah | 120 min. | A |

Technical features

| CODE | A [mm] | B [mm] | C [mm] | D [mm] | WIGHT [Kg] | CABLE ENTRY | DETAIL |
|-----------|--------|--------|--------|--------|------------|-------------|--------|
| EVSN118EL | 667 | 90 | 98 | 382 | 1,75 | 2 x M20 | A |
| EVSN136EL | 1276 | 90 | 98 | 675 | 2,45 | 2 x M20 | A |
| EVSN158EL | 1576 | 90 | 98 | 1035 | 2,65 | 2 x M20 | A |
| EVSN218EL | 667 | 155 | 102 | 406 | 2,1 | 2 x M20 | A |
| EVSN236EL | 1276 | 155 | 102 | 675 | 3,9 | 2 x M20 | A |
| EVSN258EL | 1576 | 155 | 102 | 1006 | 4 | 2 x M20 | A |

Reference details





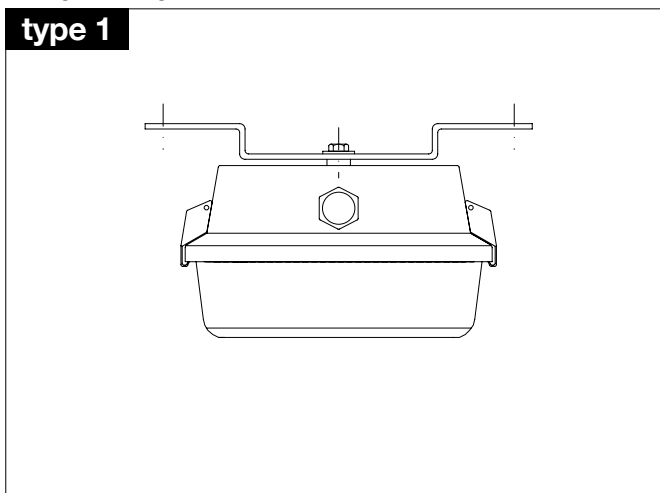
Reference details

| CODE | A [mm] | B [mm] | C [mm] | D [mm] | WIGHT [Kg] | CABLE ENTRY | DETAIL |
|-----------|--------|--------|--------|--------|------------|-------------|--------|
| EVSN118EL | 667 | 90 | 98 | 382 | 3 | 2 x M20 | A |
| EVSN136EL | 1276 | 90 | 98 | 735 | 3,7 | 2 x M20 | A |
| EVSN158EL | 1576 | 90 | 98 | 1035 | 4,35 | 2 x M20 | A |
| EVSN218EL | 667 | 155 | 102 | 406 | 3,35 | 2 x M20 | A |
| EVSN236EL | 1276 | 155 | 102 | 735 | 5,15 | 2 x M20 | A |
| EVSN258EL | 1576 | 155 | 102 | 1006 | 6,45 | 2 x M20 | A |

EVSN Installation and mounting details

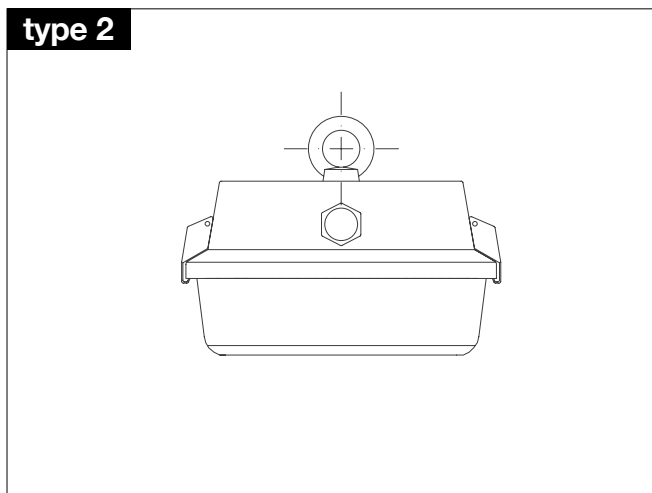
Ceiling mounting

type 1



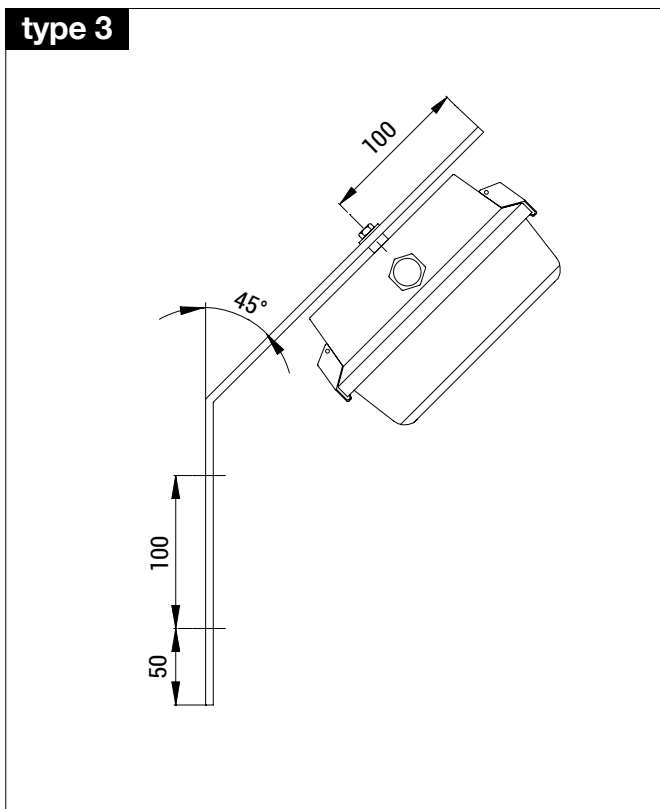
Pendant mounting

type 2



Wall/structure mounting

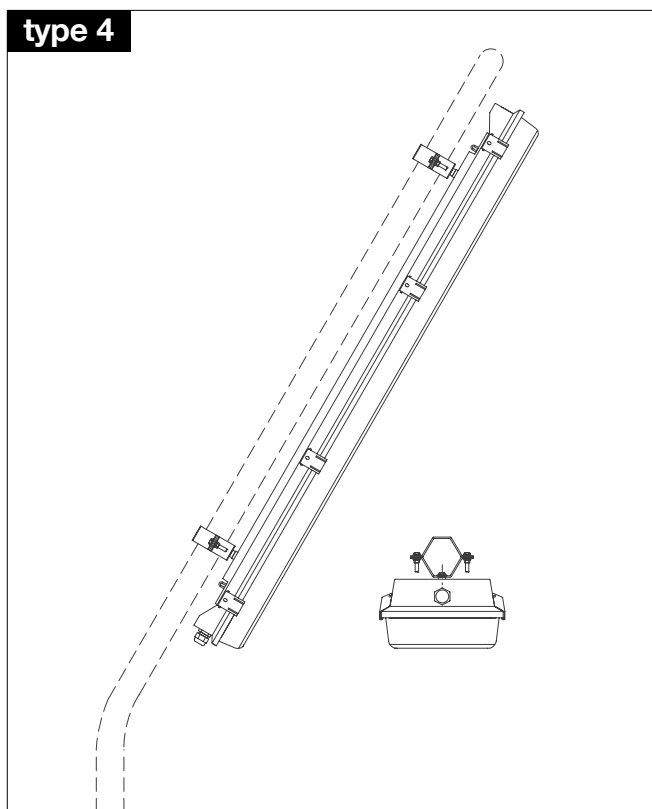
type 3



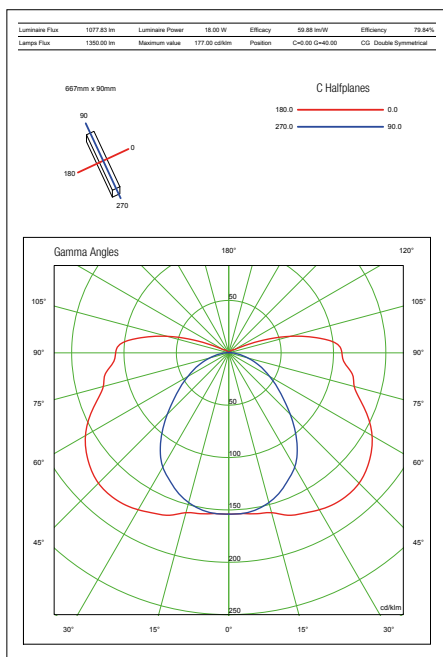
Pole mounting

Assemblig detail with pole (typical)

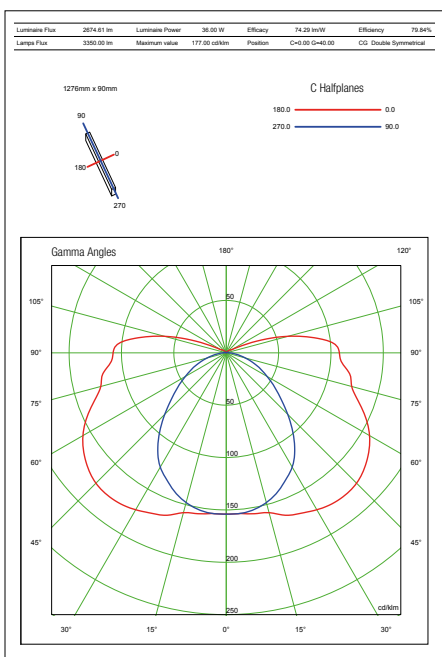
type 4



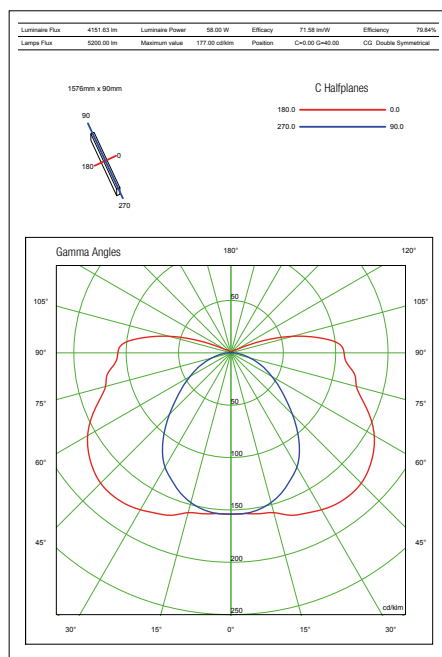
EVSN118EL



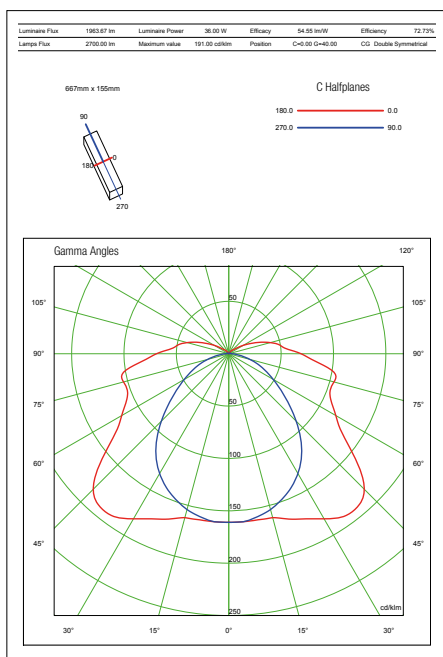
EVSN136EL



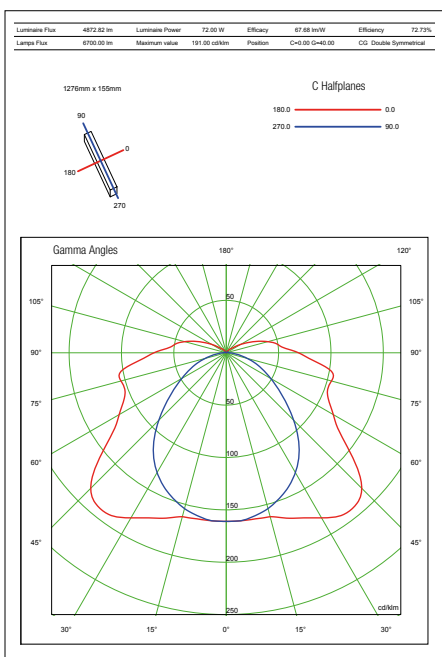
EVSN158EL



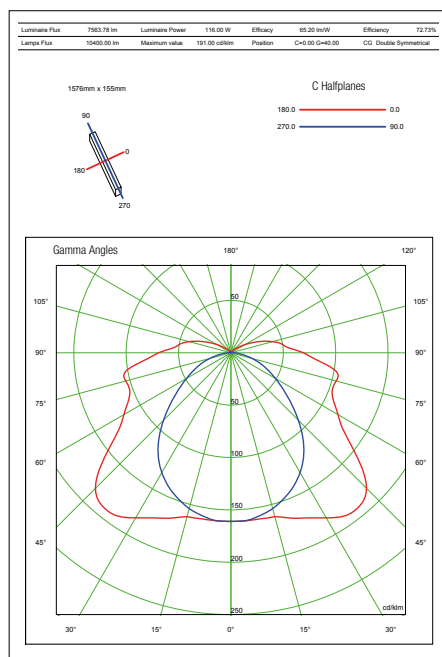
EVSN218EL



EVSN236EL



EVSN258EL



On request accessories

| CODE | DESCRIPTION | INSTALLATION | MATERIAL |
|------------|---|--------------|------------------|
| 20303.0130 | CEILING MOUNTING KIT C/W HARDWARE | TYPE 1 | GALVANIZED STEEL |
| 20303.0126 | PENDANT MOUNTING KIT C/W HARDWARE AND EYE-BOLTS | TYPE 2 | STAINLESS STEEL |
| 20303.0131 | WALL/STRUCTURE MOUNTING KIT C/W HARDWARE | TYPE 3 | GALVANIZED STEEL |
| 20302.0145 | POLE MOUNTING KIT (SIZE 1 1/2" DIA.) C/W HARDWARE | TYPE 4 | STAINLESS STEEL |
| 20302.0146 | POLE MOUNTING KIT (SIZE 2" DIA.) C/W HARDWARE | TYPE 4 | STAINLESS STEEL |
| 20302.0125 | POLE MOUNTING KIT (SIZE 1" DIA.) C/W HARDWARE | TYPE 4 | STAINLESS STEEL |

REMARK:

Due to the development of the national and international specifications and of the technology, the above technical characteristics showed on this bulletin can be considered as binding on our confirmation only.