

**Installation:** hazardous areas - Zone 1 / 2 (Gases) - Zone 21 / 22 (Dusts)  
**Classification:** Group II - Category 2G 2D



**REFERENCE STANDARDS**

**Directive 2014/34/EU**

EXECUTION	<ul style="list-style-type: none"> <li>⊗ II 2 G Ex db IIC Gb</li> <li>⊗ II 2 G Ex eb IIC Gb</li> <li>⊗ II 2 D Ex tb IIIC Db</li> </ul>
RULES OF COMPLIANCE	EN/IEC 60079-0; EN/IEC 60079-1; EN/IEC 60079-7; EN/IEC 60079-31
EC Type-Examination Certificate	INERIS 16 ATEX 0007X (LBH - LBY only)
PROTECTION DEGREE	IP66
AMBIENT TEMPERATURE	-60°C ÷ +130°C
OTHER AVAILABLE CERTIFICATES	IECEx: IECEx INE 16.0014X (LBH - LBY only) INMETRO: CEPTEL 13.2229U EAC: TC RU C-IT.BH02.B.00587 RINA: ELE18111CS_015 RUSSIAN MARINE CERTIFICATE (RMRS): 19.02521.280 UL NEC 505: 20131204-E465038 (LBY series only) CCOE-PESO: P413653/1

**Mechanical characteristics**

Body and cover	marine grade copper free aluminum light alloy
Screws	galvanized steel

**Applications**

OPEN BENDS AND PULLING BOXES ARE USED FOR THE WIRING IN ELECTRICAL CONDUIT PLANTS.

PROVIDING FOR A GAP ON THE BACK IS MORE 'EASY INSPECTION AND THE INCLUSION OF ELECTRIC CABLES.



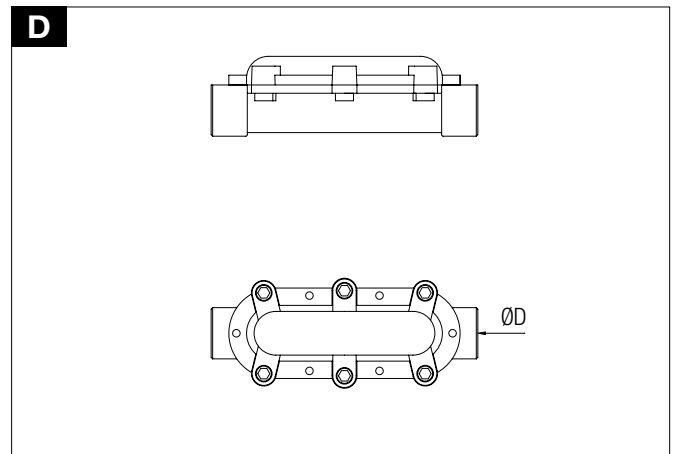
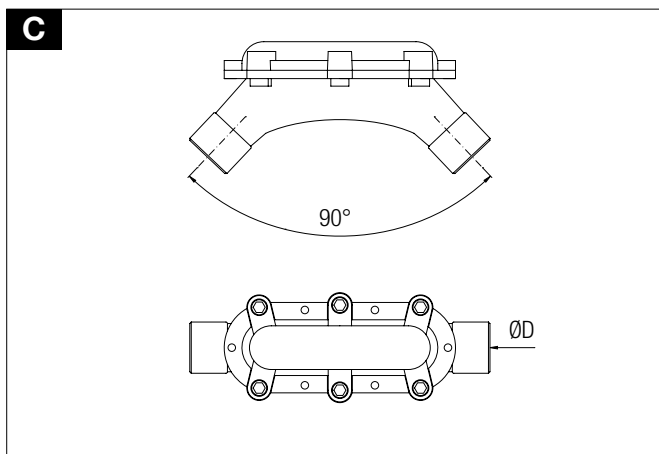
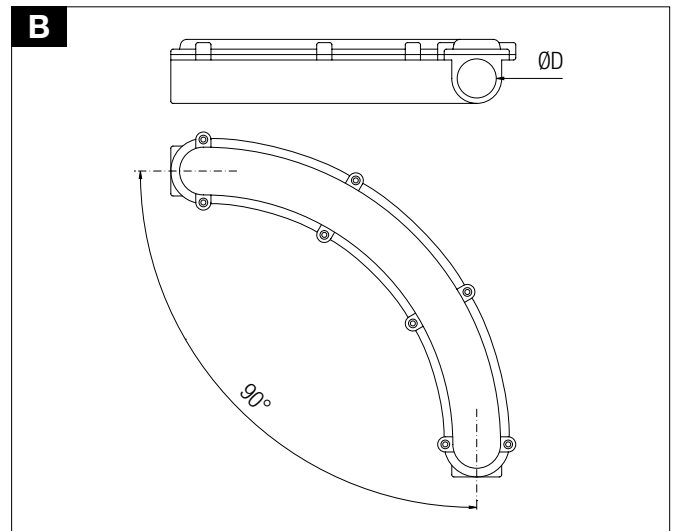
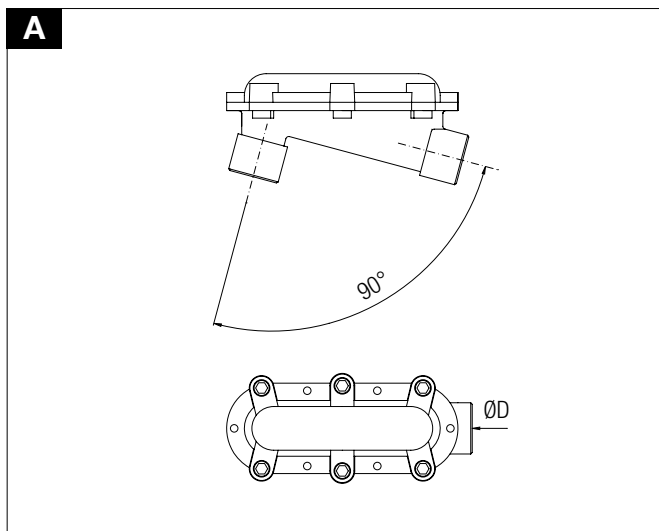
**On Request Accessories:**

- Different thread from standard
- Stainless steel screws
- Painting

Technical Features

DETAIL "A"	DETAIL "B"	DETAIL "C"	DETAIL "D"	ØD HUBS (EN 10226-2 OR NPT)
TYPE	TYPE	TYPE	TYPE	
LBH2	LBHF2	LBHS2	EKC2	2 x 3/4"
LBH3	LBHF3	LBHS3	EKC3	2 x 1"
LBH4	-	-	EKC4	2 x 1-1/4"
LBH5	LBHF5	LBHS5	EKC5	2 x 1-1/2"
LBH6	LBHF6	LBHS6	EKC6	2 x 2"
LBH7	LBHF7	LBHS7	EKC7	2 x 2-1/2"
LBH8	LBHF8	LBHS8	EKC8	2 x 3"
LBH9	LBHF9	LBHS9	-	2 x 3-1/2"
LBH10	LBHF10	LBHS10	-	2 x 4"
LBH11	LBHF11	LBHS11	-	2 x 5"
LBH12	LBHF12	LBHS12	-	2 x 6"

Reference Details



REMARK:

Due to the development of the national and international specifications and of the technology, the above technical characteristics showed on this bulletin can be considered as binding on our confirmation only.



**Installation:** hazardous areas - Zone 1 / 2 (Gases) - Zone 21 / 22 (Dusts)  
**Classification:** Group II - Category 2G 2D



**REFERENCE STANDARDS**

**Directive 2014/34/EU**

EXECUTION	<ul style="list-style-type: none"> <li>⊗ II 2 G Ex d IIC Gb</li> <li>⊗ II 2 D Ex tb IIIC Db</li> </ul>
RULES OF COMPLIANCE	EN/IEC 60079-0; EN/IEC 60079-1; EN/IEC 61241-0; EN/IEC 61241-1
EC Type-Examination Certificate	ICEPI 11 ATEX 03C002 (sealing fittings) INERIS 12 ATEX 0069X (three pieces union)
PROTECTION DEGREE	IP66 (sealing fittings) IP66/IP67 (three pieces union)
AMBIENT TEMPERATURE	-20°C ÷ +60°C
OTHER AVAILABLE CERTIFICATES	<ul style="list-style-type: none"> <li>IECEX: IECEX INE 12.0051X (three pieces union)</li> <li>INMETRO: CEPPEL 13.2243U (three pieces union)</li> <li>EAC: TC RU C-IT.BH02.B.00587 (-60°C ÷ +80°C)</li> <li>RUSSIAN MARINE CERTIFICATE (RMRS): 19.02521.280</li> <li>UL NEC-505: 20131204-E465038 (three pieces union)</li> </ul>

**SEALING FITTINGS - Mechanical characteristics**

Material	marine grade copper free aluminum light alloy
----------	---

**THREE PIECE UNIONS - Mechanical characteristics**

Material	galvanized steel
Gasket	silicon rubber EPDM



**On Request Accessories:**

- Different threads from standard
- Different materials from standard