



Installation: hazardous areas - Zone 1 / 2 (Gases) - Zone 21 / 22 (Dusts)

Classification: Group II - Category 2G 2D



REFERENCE STANDARDS

Directive 2014/34/EU

EXECUTION	<ul style="list-style-type: none"> ⊗ II 2 G Ex db IIC Gb ⊗ II 2 G Ex eb IIC Gb ⊗ II 2 D Ex tb IIIC Db
RULES OF COMPLIANCE	EN/IEC 60079-0; EN/IEC 60079-1; EN/IEC 60079-7; EN/IEC 60079-31
EC Type-Examination Certificate	INERIS 16 ATEX 0007X
PROTECTION DEGREE	IP66
AMBIENT TEMPERATURE	60°C ÷ +130°C
OTHER AVAILABLE CERTIFICATES	IECEx: IECEx INE 16.0014X INMETRO: CEPEL 13.2219U (plug) CEPEL 13.2221U (drain breather valve) CEPEL 13.2225U (nipples and coupling) CEPEL 13.2227U (elbows) EAC: TC RU C-IT.BH02.B.00587 RINA: ELE18111CS_015 RUSSIAN MARINE CERTIFICATE (RMRS): 19.02521.280 UL NEC-505: 20131204-E465038 CCOE-PESO: P413653/1

Mechanical characteristics

PLUGS - LOCKNUTS	
Material - plugs	marine grade copper free aluminum light alloy - galvanized steel - stainless steel - nichel plated brass
Material - locknuts	galvanized steel - stainless steel nichel plated brass - aluminium
ELBOWS . BUSHINGS	
Material	marine grade copper free aluminum light alloy - galvanized steel
Screws	stainless steel (DBT only)
NIPPLES - COUPLINGS	
Material	galvanized steel - stainless steel (nipples only)
DRAIN/BREATHER VALVES	
Material	stainless steel AISI 316L
Gasket	silicon rubber

(1) REMARK: locknuts DL type and bushings DB-DBT type are not covered by Ex certificate



On Request Accessories:

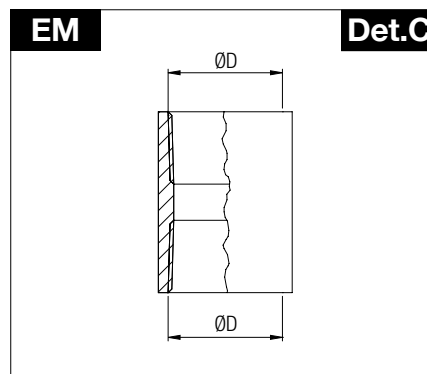
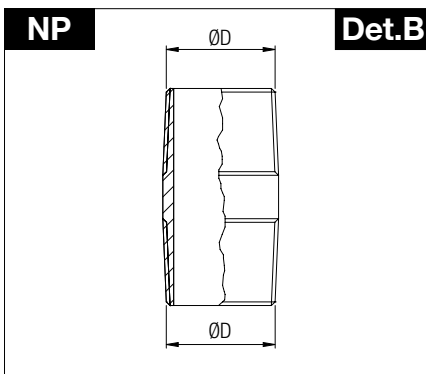
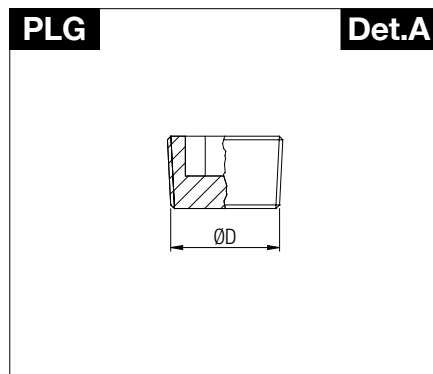
- Different threads from standard
- Different metal materials from standard

Technical Features

DETAIL "A"	
MALE PLUGS	
TYPE	ØD
PLG1	1/2"
PLG2	3/4"
PLG3	1"
PLG4	1-1/4"
PLG5	1-1/2"
PLG6	2"
PLG7	2-1/2"
PLG8	3"
PLG9	3-1/2"
PLG10	4"
PLG11	5"
PLG12	6"

DETAIL "B"	
NIPPLES	
TYPE	ØD
NP1	1/2"
NP2	3/4"
NP3	1"
NP4	1-1/4"
NP5	1-1/2"
NP6	2"
NP7	2-1/2"
NP8	3"
NP9	3-1/2"
NP10	4"
NP11	5"
NP12	6"

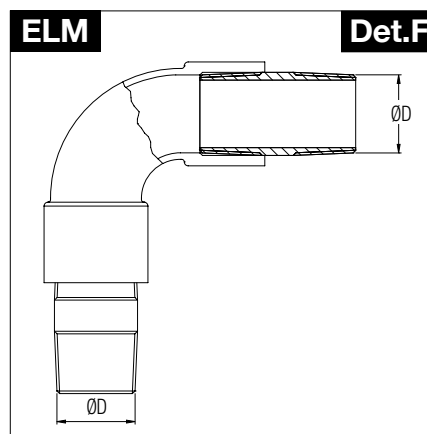
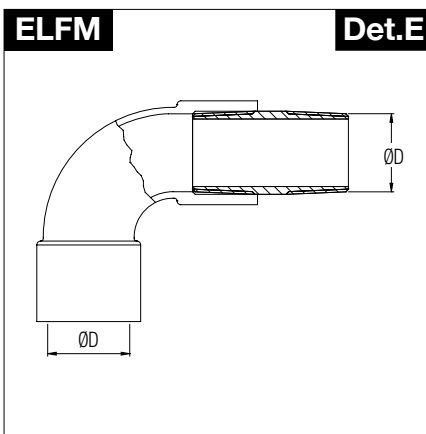
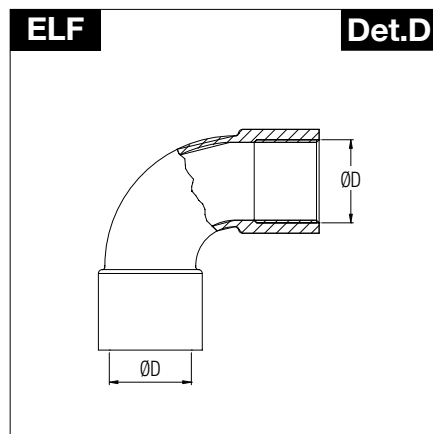
DETAIL "C"	
COUPLING	
TYPE	ØD
EM1	1/2"
EM2	3/4"
EM3	1"
EM4	1-1/4"
EM5	1-1/2"
EM6	2"
EM7	2-1/2"
EM8	3"
EM9	3-1/2"
EM10	4"
EM11	5"
EM12	6"



DETAIL "D"	
90deg ELBOWS FEMALE - FEMALE	
TYPE	ØD
ELF1	1/2"
ELF2	3/4"
ELF3	1"
ELF4	1-1/4"
ELF5	1-1/2"
ELF6	2"
ELF7	2-1/2"
ELF8	3"
ELF9	3-1/2"
ELF10	4"
ELF11	5"
ELF12	6"

DETAIL "E"	
90deg ELBOWS FEMALE - MALE	
TYPE	ØD
ELFM1	1/2"
ELFM2	3/4"
ELFM3	1"
ELFM4	1-1/4"
ELFM5	1-1/2"
ELFM6	2"
ELFM7	2-1/2"
ELFM8	3"
ELFM9	3-1/2"
ELFM10	4"
ELFM11	5"
ELFM12	6"

DETAIL "F"	
90deg ELBOWS MALE - MALE	
TYPE	ØD
ELM1	1/2"
ELM2	3/4"
ELM3	1"
ELM4	1-1/4"
ELM5	1-1/2"
ELM6	2"
ELM7	2-1/2"
ELM8	3"
ELM9	3-1/2"
ELM10	4"
ELM11	5"
ELM12	6"





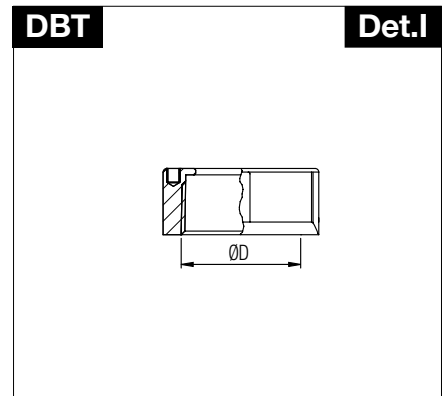
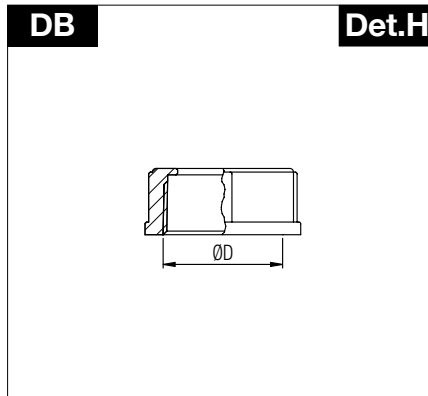
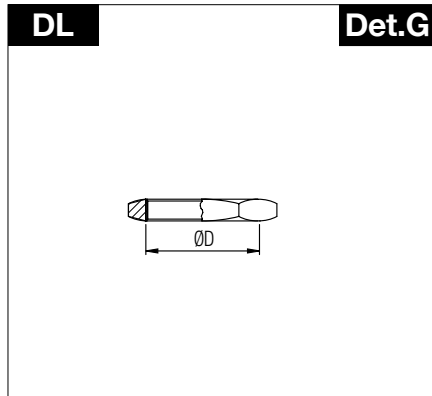
Technical Features

DETAIL "G"	
LOCKNUTS (*)	
TYPE	ØD
DL1	1/2"
DL2	3/4"
DL3	1"
DL4	1-1/4"
DL5	1-1/2"
DL6	2"
DL7	2-1/2"
DL8	3"
DL10	4"

DETAIL "H"	
BUSHINGS (*)	
TYPE	ØD
DB1	1/2"
DB2	3/4"
DB3	1"
DB4	1-1/4"
DB5	1-1/2"
DB6	2"
DB7	2-1/2"
DB8	3"
DB10	4"

DETAIL "I"	
BUSHINGS WITH EARTH SCREWS (*)	
TYPE	ØD
DBT1	1/2"
DBT2	3/4"
DBT3	1"
DBT4	1-1/4"
DBT5	1-1/2"
DBT6	2"
DBT7	2-1/2"
DBT8	3"
DBT10	4"

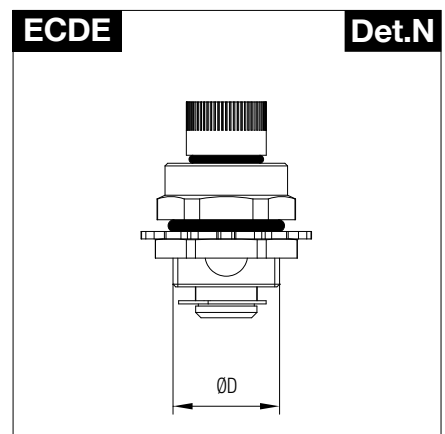
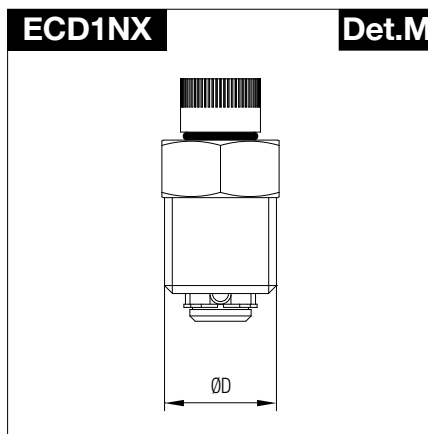
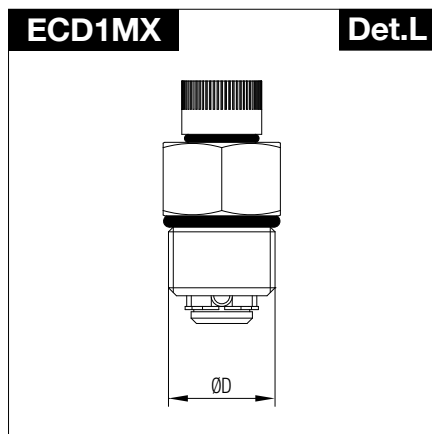
(*) REMARK: locknuts DL type and bushings DB-DBT type are not covered by Ex certificate.



DETAIL "L"	
DRAIN/BREATHER VALVE FOR Ex d... ENCLOSURES	
TYPE	ØD
ECD1MX	M20

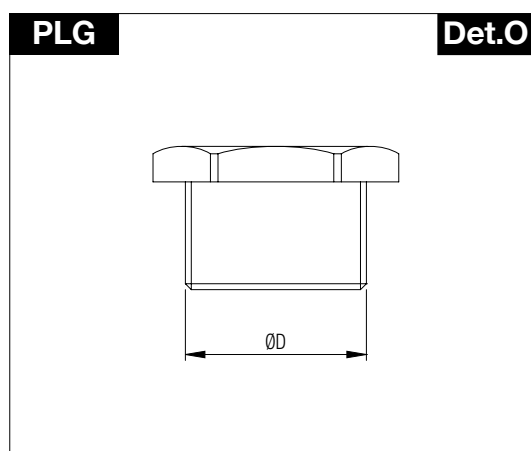
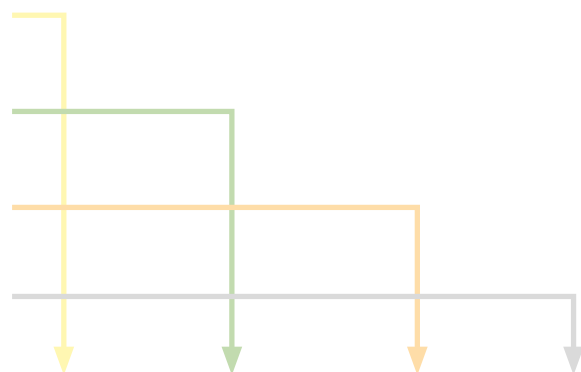
DETAIL "M"	
DRAIN/BREATHER VALVE FOR Ex d... ENCLOSURES	
TYPE	ØD
ECD1NX	1/2" NPT

DETAIL "N"	
DRAIN/BREATHER VALVE FOR ESA/ESX ENCLOSURES	
TYPE	ØD
ECDE	M20



Technical Features

Identification stopping plugs selection table	
TYPE (Fig.0)	
PLG	
THREAD / DIAMETER	
01 / 02 / 03 / 04 / 05 / 06 / 06 / 07 / 08 / 09 / 10 / 11 / 12	
TYPE OF THREAD	
R-Rc (EN 10226-2), P(PG), N (NPT), G (ISO 228), M (ISO-metric)	
MATERIAL	
IX (stainless steel), ON (marine brass)	



	TYPE	THREAD DIAMETER	TYPE OF THREAD	MATERIAL
EXAMPLE 1	PLG	6	R-Rc	ON
EXAMPLE 2	PLG	3	N	IX
EXAMPLE 3	PLG	2	G	IX
EXAMPLE 4	PLG	2	M	IX
EXAMPLE 5	PLG	5	R-Rc	IX

- EXAMPLE 1:** PLG6KON= NICKEL PLATED BRASS STOPPING PLUG 2"UNI-6125
- EXAMPLE 2:** PLG3NIX= STAINLESS STEEL AISI-316L STOPPING PLUG 1"NPT
- EXAMPLE 3:** PLG20GIX= STAINLESS STEEL AISI-316L STOPPING PLUG 3/4"ISO-228
- EXAMPLE 4:** PLG2MIX= STAINLESS STEEL AISI-316L STOPPING PLUG ISO-M25
- EXAMPLE 5:** PLG5KIX= STAINLESS STEEL AISI-316L STOPPING PLUG 1 1/2"UNI-6125

REMARK:

Due to the development of the national and international specifications and of the technology, the above technical characteristics showed on this bulletin can be considered as binding on our confirmation only.

