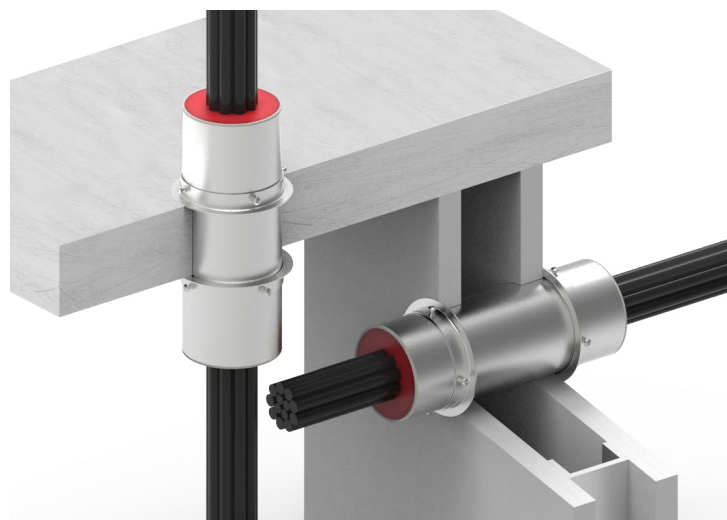


# SpecSeal® Ready® Sleeve Firestop Sleeve

SpecSeal® Ready® Sleeve Pathways are a complete UL Certified out-of-the-box solution for new cable penetrations through walls. Each sleeve kit contains a pre-cut metallic sleeve, mounting escutcheons, intumescent escutcheon gaskets, wall labels, and the amount of putty required to seal both ends.

SpecSeal® Ready® Sleeve Pathway kits are simple in design and installation. All sizes of the Sleeve Pathways include a unique press-fit end cap design to eliminate potential sharp edges and do away with the need for conduit bushings.

SpecSeal® Ready® Sleeve Pathways are sized to the same O.D. as standard EMT (Electrical Mechanical Tubing) and will accept EMT accessories such as grounding bushings. Additionally, SpecSeal® Ready® Sleeve Pathways provide an easy method for compliance with the sleeve attachment requirements of the 2015 IBC Section 714.2 and 2018 IBC Section 714.3 without the need for struts or other bracing.



## Applications

SpecSeal® Ready® Sleeve Pathways are used to protect or support cables in both non-rated and rated construction. SpecSeal® Ready® Sleeve Pathways are suitable for use in all common constructions including concrete floors, concrete walls, concrete block walls, and gypsum board/stud wall assemblies up to 10" (254 mm) thick.

## Specifications

All data, video, communication, power, and control cables shall be installed through sleeves wherever said cables penetrate fire resistance rated barriers. The sleeve shall be sized to accommodate the present cable bundle as well as anticipated growth. The sleeve kit shall include steel escutcheon plates and intumescent firestop gaskets sized to fit the specific outside diameter of the sleeve and sandwich the barrier to lock said sleeve in place. The sleeve shall be provided with a sufficient thickness of intumescent firestop putty to seal the ends of the sleeve to restrict the passage of fire, smoke, and superheated gases. The firestop sleeve shall be UL Certified and tested to the requirements of ASTM E814 (UL1479) and CAN/ULC-S115.

### Specified Divisions

Division 7	07 84 13	Penetration Firestopping
Division 23	23 00 00	HVAC
Division 26	26 00 00	Electrical

## Performance

SpecSeal® Ready® Sleeve pathways are UL tested and Certified in accordance with ASTM E814 (UL1479) and CAN/ULC-S115. Systems are available for cable penetrations through common wall constructions up to and including 4 hours and concrete floors up to 3 hours.

## Maintenance

SpecSeal® Firestop Putty is permanently non-hardening to facilitate the removal or addition of cables. After cable changes, reinstall putty to original depth. NOTE: This product represents a UL Certified Firestop System. Only approved SpecSeal® materials may be used. NO SUBSTITUTIONS ARE PERMITTED.

## Features & Benefits

- Economical - offers significant material and labor savings
- Ready to install - no cutting required, no waste
- Locks into place - no support struts and clamps required
- No external firestop seal required - factory supplied intumescent firestop gasket
- Firestop putty provided with kit - sufficient to seal ends to 1" (25 mm) depth
- UL Certified and code compliant
- For rated and non-rated barriers - putty seal impedes the passage of fire, smoke, superheated gases, particulate dust, and minimizes noise transmission



## SpecSeal® Ready® Sleeve Firestop Sleeve



## PHYSICAL PROPERTIES

Available Sizes	1" (25 mm), 2" (51 mm), and 4" (102 mm)
Sleeve and Plate Construction	0.059" (1.5 mm) thick steel (zinc plated)
Intumescent Gasket Expansion Temperature	350°F (177°C)
Intumescent Gasket Volume Expansion	15x (free expansion)
Intumescent Gasket In Service Temperature	-10°F (-23°C) to 120°F (49°C)
Intumescent Gasket Storage Temperature	Less than 120°F (49°C)
Putty Fill Material Color	Red
Putty Fill Material Odor	None
Putty Fill Material Solids	100%
Putty Fill Material Volume Expansion	8x (free expansion)
Putty Fill Material In Service Temperature	-10°F (-23°C) to 120°F (49°C)
Putty Fill Material Storage Temperature	Less than 120°F (49°C)
Putty Fill Material Expansion Temperature	230°F (110°C)
Putty Fill Material VOC Content	0.00 lbs/gal (0.0 g/L)
Putty Fill Material Shelf Life	No Limit

## System Selection

To find your firestop system or create a submittal, visit <https://systems.stifirestop.com/> to use System Search & Submittal Builder. You may also visit the [UL Online Certifications Directory/UL Product iQ™](#) for complete listings. (Firestop Systems).

## Technical Service

Specified Technologies Inc. provides toll free technical support to assist in product selection and appropriate installation design. UL System designs suitable for submittal or specification purposes are available on request. A complete library of technical information is provided at the company's website [www.stifirestop.com](http://www.stifirestop.com) including Safety Data Sheets (SDS's).

## Precautionary Information

No unusual hazards are known or expected. Observe normal safety procedures during installation.

## Availability

SpecSeal® Ready® Sleeve Pathways are available from Specified Technologies Inc. (STI) authorized distributors. For additional purchasing and technical information or for the names and locations of the nearest representative and/or distributor, regarding this and other Specified Technology products, please call 1-800-992-1180 or visit [www.stifirestop.com](http://www.stifirestop.com).

## ORDERING INFORMATION

Catalog Number	UPC Number	Size	(UOM) Qty.	Case Qty.	Weight (Each)
FS100	730573201008	1" (25 mm) sleeve (includes escutcheon plates, gaskets, putty)	1	6	1.02 lbs (0.46 kg)
FS200	730573202005	2" (51 mm) sleeve (includes escutcheon plates, gaskets, putty)	1	6	2.29 lbs (1.04 kg)
FS400	730573204009	4" (102 mm) sleeve (includes escutcheon plates, gaskets, putty)	1	6	6.32 lbs (2.87 kg)
FS201	730573202012	2" (51 mm) sleeve (includes large escutcheon plates, gaskets, putty)	1	N/A	2.73 lbs (1.24 kg)
FS401	730573204016	4" (102 mm) sleeve (includes large escutcheon plates, gaskets, putty)	1	N/A	7.59 lbs (3.44 kg)

IMPORTANT NOTICE: ALL STATEMENTS, TECHNICAL INFORMATION, AND RECOMMENDATIONS CONTAINED HEREIN ARE BASED UPON TESTING BELIEVED TO BE RELIABLE, BUT THE ACCURACY AND COMPLETENESS THEREOF IS NOT GUARANTEED.

STI TYPICALLY WARRANTIES ITS PRODUCTS FOR ONE FULL YEAR. FOR COMPLETE DETAILS OF OUR STANDARD WARRANTY, PLEASE VISIT [WWW.STIFIRESTOP.COM/LEGAL/WARRANTY](http://WWW.STIFIRESTOP.COM/LEGAL/WARRANTY)

MADE IN THE USA – © 2020 SPECIFIED TECHNOLOGIES INC.