

Contents - hazardous area cable glands

Selection guide for cable glands for hazardous areas	2.2
Capri ADE cable glands - specification features.....	2.4
Ex flameproof cable glands for non-armoured cable:	
ADE-1F2	2.6
ADE-1F2 DS (double seal)	2.8
ADE-1F2 A (integrated clamping)	2.10
ADE-1F2 O-ring (integrated O-ring).....	2.12
Ex flameproof cable glands for non-armoured cables in conduit:	
1F2 ADCC for flexible and rigid conduit.....	2.14
1F2 ADCS for rigid conduit	2.16
Ex flameproof cable glands with compound for non-armoured cable:	
ADE-1FC.....	2.18
Ex flameproof cable glands for armoured cable:	
ADE-4F	2.20
ADE-5F (inspectable armour).....	2.22
ADE-6F (inspectable armour + cold flow protection)	2.24
Ex flameproof cable glands with compound for armoured cable:	
ADE-6FC.....	2.26
ADE cable gland kits	2.28
ADE Accessories	2.29
Ex increased safety cable glands for non-armoured cable or braided cable:	
NEWCAP MS-e.....	2.32
NEWCAP CT-e.....	2.33
Ex increased safety cable glands for non-armoured cable:	
CEAG GHG Ex e black	2.34
CEAG GHG Ex e blue.....	2.35
Trumpet Ex e	2.36
North American certified cable glands:	
Terminator™ II TMCX	2.38
Accessories for Terminator™ II TMCX	2.40
TMCX	2.41
TMC.....	2.42
TECK	2.43

INTRODUCTION



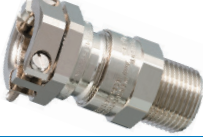








HAZARDOUS AREA CABLE GLANDS

HAZARDOUS AREA ACCESSORIES



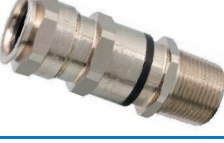

INDUSTRIAL CABLE GLANDS AND ACCESSORIES

TECHNICAL GUIDE

Selection guide for cable glands for hazardous areas





Non-armoured cable glands	Cable type	Material options	Key points	
ADE-1F2 cable gland page 2.6		<ul style="list-style-type: none"> • Non-armoured • Marine shipboard cable • Tray cable • Type P 	<ul style="list-style-type: none"> • Nickel-plated brass • Option: Stainless steel Aluminum Bronze 	<ul style="list-style-type: none"> • Ex d / Ex e • UL / cULus • IP66 / IP68 • -60°C to +140°C • Metric / NPT
ADE-1F2 DS cable gland page 2.8		<ul style="list-style-type: none"> • Non-armoured • Marine shipboard cable • Tray cable • Type P 	<ul style="list-style-type: none"> • Nickel-plated brass • Option: Stainless steel Aluminum Bronze 	<ul style="list-style-type: none"> • Ex d / Ex e • UL / cULus • IP66 / IP68 • -60°C to +140°C • Metric / NPT
ADE-1F2 A Clamping cable gland page 2.10		<ul style="list-style-type: none"> • Non-armoured • Marine shipboard cable • Tray cable • Type P 	<ul style="list-style-type: none"> • Nickel-plated brass • Option: Stainless steel Aluminum Bronze 	<ul style="list-style-type: none"> • Ex d / Ex e • UL / cULus • IP66 / IP68 • -60°C to +140°C • Metric / NPT • Integrated clamp
ADE-1F2 O-Ring cable gland page 2.12		<ul style="list-style-type: none"> • Non-armoured • Marine shipboard cable • Tray cable • Type P 	<ul style="list-style-type: none"> • Nickel-plated brass • Option: Stainless steel 	<ul style="list-style-type: none"> • Ex d / Ex e • UL / cULus • IP66 / IP68 • -60°C to +140°C • Metric • Integrated O-ring
1F2 ADCC conduit gland page 2.14		<ul style="list-style-type: none"> • Non-armoured cable in flexible conduit • Non-armoured cable in rigid conduit 	<ul style="list-style-type: none"> • Nickel-plated brass • Option: Stainless steel 	<ul style="list-style-type: none"> • Ex d / Ex e • IP66 / IP68 • -60°C to +140°C • Metric / NPT / BSPP
1F2 ADCS conduit gland page 2.16		<ul style="list-style-type: none"> • Non-armoured cable in rigid conduit 	<ul style="list-style-type: none"> • Nickel-plated brass • Option: Stainless steel 	<ul style="list-style-type: none"> • Ex d / Ex e • IP66 / IP68 • -60°C to +140°C • Metric / NPT / BSPP • Swivel function
ADE-1FC cable gland page 2.18		<ul style="list-style-type: none"> • Non-armoured • Marine shipboard cable • Tray cable • Type P 	<ul style="list-style-type: none"> • Nickel-plated brass • Option: Stainless steel Bronze 	<ul style="list-style-type: none"> • Ex d / Ex e • UL / cULus • IP66 / IP68 • -60°C to +80°C • Metric / NPT • Deluge seal
NEWCAP MS-e page 2.32		<ul style="list-style-type: none"> • Non-armoured • Braided cable 	<ul style="list-style-type: none"> • Nickel-plated brass • Option: Stainless steel 	<ul style="list-style-type: none"> • Ex e • IP66 / IP68 • -20°C to +80°C
NEWCAP CT-e page 2.33		<ul style="list-style-type: none"> • Non-armoured • Braided cable • For EMC specific cable and application 	<ul style="list-style-type: none"> • Nickel-plated brass • Option: Stainless steel 	<ul style="list-style-type: none"> • Ex e • IP66 / IP68 • -20°C to +80°C
CEAG GHG Ex e Blue / Black page 2.34/2.35		<ul style="list-style-type: none"> • Non-armoured 	<ul style="list-style-type: none"> • Nylon 	<ul style="list-style-type: none"> • Ex e • -20°C to +70°C • Integrated sealing lip
TRUMPET page 2.36		<ul style="list-style-type: none"> • Non-armoured 	<ul style="list-style-type: none"> • Nylon 	<ul style="list-style-type: none"> • Ex e • -40°C to +85°C

Selection guide for cable glands for hazardous areas

Armoured cable glands	Cable type	Material options	Key points	
ADE-4F page 2.20		<ul style="list-style-type: none"> SWA / SWB / STA Braided marine shipboard Lead sheathed (with washer) Type P 	<ul style="list-style-type: none"> Nickel-plated brass Option: Stainless steel Aluminum Bronze 	<ul style="list-style-type: none"> Ex d / Ex e UL / cULus IP66 / IP68 -60°C to +140°C Metric / NPT
ADE-5F page 2.22		<ul style="list-style-type: none"> SWA / SWB / STA Braided marine shipboard Lead sheathed (with washer) Type P 	<ul style="list-style-type: none"> Nickel-plated brass Option: Stainless steel Aluminum Bronze 	<ul style="list-style-type: none"> Ex d / Ex e UL / cULus IP66 / IP68 -60°C to +140°C Metric / NPT Deluge seal option
ADE-6F page 2.24		<ul style="list-style-type: none"> SWA / SWB / STA Braided marine shipboard Type P 	<ul style="list-style-type: none"> Nickel-plated brass Option: Stainless steel Aluminum Bronze 	<ul style="list-style-type: none"> Ex d / Ex e UL / cULus IP66 / IP68 -60°C to +80°C Metric / NPT Deluge seal
ADE-6FC page 2.26		<ul style="list-style-type: none"> SWA / SWB / STA Braided marine shipboard Type P Tray cable 	<ul style="list-style-type: none"> Nickel-plated brass Option: Stainless steel Bronze 	<ul style="list-style-type: none"> Ex d / Ex e UL / cULus IP66 / IP68 -60°C to +80°C Metric / NPT Deluge seal

INTRODUCTION

HAZARDOUS AREA CABLE GLANDS

North American cable glands	Cable type	Material options	Key points
TMCX II Armoured barrier gland page 2.38		<ul style="list-style-type: none"> Aluminum Option: Nickel-plated brass Stainless steel 	<ul style="list-style-type: none"> cULus NEMA 6P / 4X -40°C to +60°C NPT / Metric Cold Shrink™ kit available
TMCX Armoured barrier gland page 2.41		<ul style="list-style-type: none"> Aluminum Option: Nickel-plated brass 	<ul style="list-style-type: none"> UL / CSA NEMA 4 / IP56 -25°C to +60°C NPT Cold Shrink™ kit available
TMC armoured gland page 2.42		<ul style="list-style-type: none"> Aluminum 	<ul style="list-style-type: none"> UL / CSA NEMA 4 / IP56 -25°C to +60°C NPT
TECK armoured gland page 2.43		<ul style="list-style-type: none"> Aluminum Option: Steel Stainless steel PVC coated aluminium 	<ul style="list-style-type: none"> CSA IP56 -25°C to +60°C NPT Cold Shrink™ kit available

HAZARDOUS AREA ACCESSORIES

INDUSTRIAL CABLE GLANDS AND ACCESSORIES

TECHNICAL GUIDE

Capri ADE cable glands - specification features

Material specification

Metallic components

The Capri ADE range of cable glands are available in four different material types:

- Nickel-plated brass
- 316L stainless steel
- Aluminum
- Bronze

Nickel-plated brass

Nickel-plated brass is used extensively throughout the oil and gas and petrochemical industries because it provides superior protection against corrosion and contamination under severe conditions and in the most extreme environments over equivalent natural brass products.

All nickel-plated brass components, both external and internal, are designed specifically to allow for a nickel-plated coating between 5 to 7 microns that ensures the critical tolerances can be maintained. The design tolerance of the components and the quality control of the plating process ensure a uniform coating which protects against the possibility of chipping, flaking, and peeling under extreme conditions.

Seal material

The seal material of the ADE range has been carefully formulated to achieve the optimized performance across a wide range of operating temperature conditions.

- Silicone - for extended temperature performance



Operating temperature range

The ADE models are suitable for the following operating temperatures:

Silicone seals -60°C to +140°C

Barrier compound -60°C to +80°C

Refer to individual product data sheets for specifications.



Cable clamping technology

Fig. 1 - External cable clamping

All ADE models are designed to accommodate an external clamping module which provides additional mechanical strength for strain relief.

Fig. 2 - Outer sheath cable sealing

All ADE models utilize a gland specific seal design (Fig.8), which, combined with the material formulation, ensures suitable sealing and ingress protection on the outer cable sheath.

Fig. 3 and 4 - Inner sheath cable sealing

The ADE-4F and ADE-5F utilize the same proven seal design as for the outer sheath (Fig.8), while the ADE-6F utilizes a diaphragm design seal to achieve the desired flame-path protection.

Fig. 5 and 6 - Universal clamping - armoured cable

The ADE-4F, ADE-5F and ADE-6F models all offer universal designs for all types of armoured cable. These include:

- Steel wire armoured (SWA) cable
- Steel tape armoured (STA) cable
- Steel wire braided (SWB) cable
- Braided marine shipboard cable
- Lead sheath armoured cable
- Type P cable

All designs achieve clamping and earth bonding of the armour for all armour types with no reversible components.

Fig. 7 - Lead sheath armour cable

The ADE-4F and ADE-5F ranges are suitable for lead sheath armoured cable with the addition of a simple washer.

Fig. 8 - Specially formulated elastomer seal

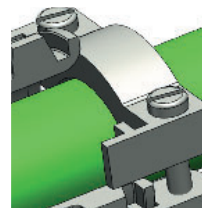


Fig.1

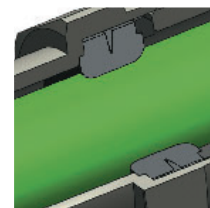


Fig.2

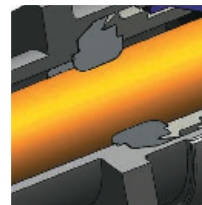


Fig.3

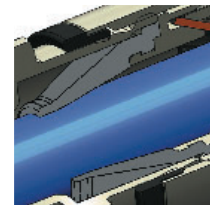


Fig.4

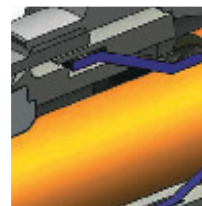


Fig.5

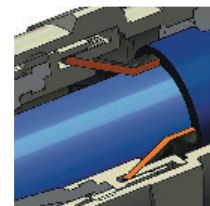


Fig.6



Fig.7



Fig.8

Ingress protection (IP)

IP rating

All ADE models incorporate an elastomeric dust cap to prevent dust and solid ingress prior to installation. Ingress protection is achieved by the following:

Metric threads: fitted on equipment with a flat surface, on threaded hole, or on blank hole ("d" use excluded) fixed by a qualified locknut with all threads engaged:

- IP64, IP66 without sealing washer and surface finish of Ra 0.4µm or on threaded hole and surface finish of Ra 1.6µm max.
- IP64, IP66 with all sealing washers (red fibre, green fibre, on or PTFE) on surface Ra 6.3µm max.
- IP68 tested 30m/7days with red fibre or green fibre sealing washers

NPT threads: IP64, 66 and IP68 tested 30m/7days; HTL lubricant may be needed. For details, please refer to cable glands installation guide page 5.12.

Deluge protection

All ADE models comply and are compliant with DTS-01 deluge certification.

The ADE-6F incorporates an additional deluge boot seal for enhanced deluge protection in marine / offshore environments.

An optional deluge seal is also available for larger sizes of the ADE-5F.

ADE-1F2 - for non-armoured cable

Hazardous area cable glands



Suitable for the following cable types:

- Non-armoured cable
- Marine shipboard cable; Type P cable
- Tray cable: TC

Provides 25% of cable clamping. As per IEC60079 § A.2.3.2 for group II or III cable glands, "without a clamping device, additional clamping of the cable is needed to ensure that pulling & twisting is not transmitted to the terminations". We recommend using the certified ADE clamping module (page 2.29).

Certifications and compliances

• ATEX No. INERIS 12ATEX0032X

Zones 1 and 2, Groups IIA, IIB and IIC
 Zones 21 and 22, Groups IIIA, IIIB and IIIC
 ⚠ II2GD / Ex db IIC / Ex eb IIC / Ex tb IIIC
 ⚠ II3G Ex nRc IIC

• IECEx No. IECEx INE 12.0025X

Zones 1 and 2, Groups IIA, IIB and IIC
 Zones 21 and 22, Groups IIIA, IIIB and IIIC
 Ex db IIC / Ex eb IIC / Ex nRc IIC / Ex tb IIIC

• UL: 3DJN E310130 Class I Zone 1*, AEx e II

⚠ ADE size 3 to 8, NPT 1/2" to 1 1/4" or ISO 20 to 40 with non-armoured cable TC-ER-HL up to 1" diameter

• UL: 3DJN E310130 Class I Zone 2*, AEx e II, Ex e II

⚠ ADE size 3 to 17, NPT 1/2" to 4" or ISO 20 to 110 with non-armoured cable ITC, MV, PLTC, TC-ER, TC-ER-HL, TC

• UL: 3LRC E314047 Class I Zone 2*, AEx e II, Ex e II

⚠ ADE size 3 to 17, NPT 1/2" to 4" or ISO 20 to 110 with non-armoured marine cable

* Can be used in Div.2 provided that the enclosure contains no components that produce arcs or sparks.



Other certificates:

CEPEL: 05.0558X
CCoE: P360379-1
KOSHA: 2015-BO-0249 to 0256
NANIO: TC-RU C-FR.ГБ05.B.00858
NEPSI: GYJ13.1082X
SABS: MS/15-0314X

Shipping applications:

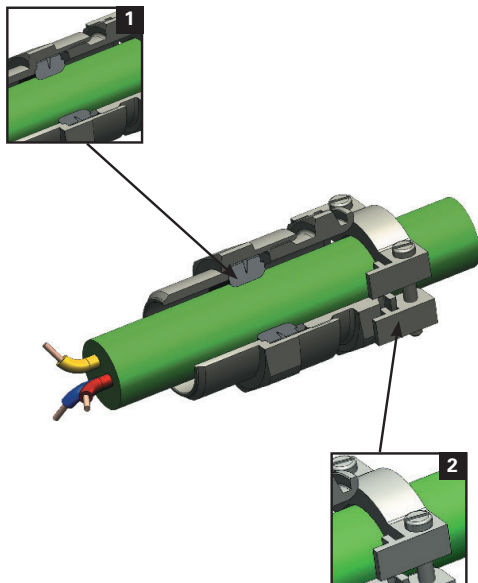
ABS: 14-HS1274083-PDA
BV: 40910/A0 BV
DNV: TAE000010X
Lloyds: 11/00072
DTS-01:1991

Technical specification

- Nickel-plated brass for superior corrosion resistance. 316L stainless steel, bronze and aluminium options available. It is recommended that a suitable lubricant is used on all threads of stainless steel and aluminium versions.
- Temperature range: -60 °C to +140 °C
- IP66 / IP68 according to the method of attachment and the condition of the equipment area, see page 2.5

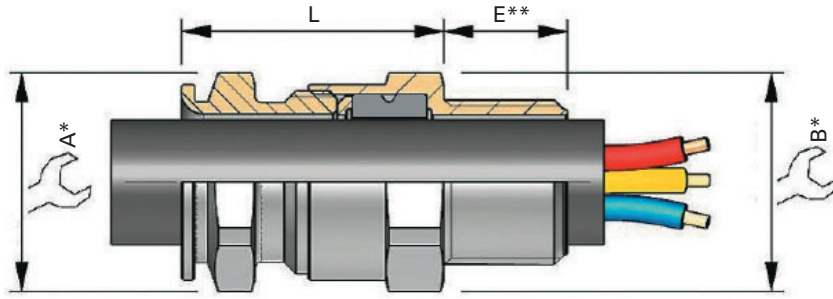
Features and benefits

- 1: Specifically formulated elastomer for IP sealing on outer sheath of cable
- 2: Additional external cable clamping for strain relief (optional).



ADE-1F2 - for non-armoured cable

Hazardous area cable glands



* For 'across corners' dimensions, multiply 'across flats' dimensions by 1.1

** For 'E' see thread dimension page 5.18

SERIES	THREAD SIZE	CABLE SEALING RANGE	MATERIAL	OPTION
ADE1	M25	3	NPN	

0 = XS
1 = S
2 = M
3 = L

CODES

K1	Accessories kit 1
K2	Accessories kit 2
K3	Accessories kit 3
BLANK	No option

NPN	Nickel-plated brass
SSN	Stainless steel
BZN	Bronze
ALN	Aluminium (not Group I)

KIT OPTIONS

K1	Kit 1 contents:
	• Locknut
	• Green composite washer
K2	Kit 2 contents:
	• Locknut
	• Green composite washer
	• Earth tag
	• Shroud
K3	Kit 3 contents:
	• Locknut
	• Green composite washer
	• Earth tag
	• Serrated washer

Ordering codes

SERIES	THREAD SIZE (ISO)	THREAD SIZE CODE (ISO)	THREAD SIZE (NPT)	THREAD SIZE CODE (NPT)	CABLE SEALING RANGE	CABLE SEALING RANGE ISO (NPT)			ADE GLAND SIZE	CATALOG NUMBER (ISO)	CATALOG NUMBER (NPT)	
						OUTER SHEATH MIN - MAX	A	B				L
ADE1	12*	M12	1/4**	N025	3	4.5 - 8.0	17	17	25.0	4	ADE1M123NPN	ADE1N0253NPN
ADE1	16*	M16	3/8**	N038	2	4.5 - 8.5	17	19	25.0	4	ADE1M162NPN	ADE1N0382NPN
ADE1	16*	M16	3/8**	N038	3	7.0 - 12.0	19	19	27.5	5	ADE1M163NPN	ADE1N0383NPN
ADE1	20	M20	1/2*	N050	0	2.8 - 5.5	15	24	24.0	3	ADE1M200NPN	ADE1N0500NPN
ADE1	20	M20	1/2*	N050	1	4.5 - 8.5	17	24	25.0	4	ADE1M201NPN	ADE1N0501NPN
ADE1	20	M20	1/2*	N050	2	7.0 - 12.0	19	24	27.5	5	ADE1M202NPN	ADE1N0502NPN
ADE1	20	M20	1/2*	N050	3	10.0 - 16.0 (15.5)	24	24	32.0	6	ADE1M203NPN	ADE1N0503NPN
ADE1	25	M25	3/4*	N075	1	7.0 - 12.0	19	30	27.5	5	ADE1M251NPN	ADE1N0751NPN
ADE1	25	M25	3/4*	N075	2	10.0 - 16.0	24	30	32.0	6	ADE1M252NPN	ADE1N0752NPN
ADE1	25	M25	3/4*	N075	3	13.5 - 20.5	30	30	36.5	7	ADE1M253NPN	ADE1N0753NPN
ADE1	32	M32	1*	N100	2	13.5 - 21.0	30	36	36.5	7	ADE1M322NPN	ADE1N1002NPN
ADE1	32	M32	1*	N100	3	18.0 - 27.5 (26.0)	41	41	46.0	8	ADE1M323NPN	ADE1N1003NPN
ADE1	40	M40	1 1/4*	N125	2	18.0 - 27.5 (26.0)	48	48	50.0	8	ADE1M402NPN	ADE1N1252NPN
ADE1	40	M40	1 1/4*	N125	3	23.0 - 34.0	48	48	50.0	9	ADE1M403NPN	ADE1N1253NPN
ADE1	50	M50	1 1/2*	N150	0	23.0 - 34.0	48	55	49.7	9	ADE1M500NPN	ADE1N1500NPN
ADE1	50	M50	1 1/2*	N150	1	29.0 - 41.0	55	55	52.0	10	ADE1M501NPN	ADE1N1501NPN
ADE1	50	M50	2*	N200	2	35.0 - 45.0 (48.0)	64	64	56.5	11	ADE1M502NPN	ADE1N2002NPN
ADE1	63	M63	-	-	2	35.0 - 48.0	64	67	56.5	11	ADE1M632NPN	-
ADE1	63	M63	2*	N200	3	42.0 - 56.0 (53.0)	72	72	60.0	12	ADE1M633NPN	ADE1N2003NPN
ADE1	75	M75	2 1/2*	N250	3	50.0 - 65.0 (62.5)	85	85	67.5	13	ADE1M753NPN	ADE1N2503NPN
ADE1	90	M90	3*	N300	2	58.0 - 74.0	95	95	69.0	14	ADE1M902NPN	ADE1N3002NPN
ADE1	90	M90	3*	N300	3	66.0 - 83.0 (78.0)	110	110	80.0	15	ADE1M903NPN	ADE1N3003NPN
ADE1	110	M110	3 1/2*	N350	2	75.0 - 93.0 (92.0)	120	120	80.0	16	ADE1M1102NPN	ADE1N3502NPN
ADE1	110	M110	4*	N400	3	85.0 - 104.0	135	135	90.0	17	ADE1M1103NPN	ADE1N4003NPN

* Not UL certified. Above catalog numbers are for nickel-plated brass; refer to order code diagram for other options.

All dimensions in mm.

ADE-1F2 DS - for non-armoured cable

Hazardous area cable glands



Suitable for the following cable types:

- Non-armoured cable
 - Marine shipboard cable; Type P cable
 - Tray cable: TC
- Double seal provides 100% of cable clamping.

Certifications and compliances

• ATEX No. INERIS 12ATEX0032X

Zones 1 and 2, Groups I, IIA, IIB and IIC
Zones 21 and 22, Groups IIIA, IIIB and IIIC

⊕ II2GD / Ex db IIC / Ex eb IIC / Ex tb IIIC

⊕ II3G Ex nRc IIC

⊕ IM2 / Ex db I / Ex eb I ; for mining applications

Brass or bronze size 8 to 17; NPT 1" to 4", ISO 32 to 110
Stainless steel size 4 to 17; NPT 3/8" to 4", ISO 16 to 110

• IECEx No. IECEx INE 12.0025X

Zones 1 and 2, Groups I, IIA, IIB and IIC
Zones 21 and 22, Groups IIIA, IIIB and IIIC

Ex db IIC / Ex eb IIC / Ex nRc IIC / Ex tb IIIC

Ex db I / Ex eb I ; for mining applications

Brass or bronze size 8 to 17; NPT 1" to 4", ISO 32 to 110
Stainless steel size 8 to 17; NPT 1" to 4", ISO 32 to 110

• UL: 3DJN E310130 Class I Zone 1*, AEx e II

Ⓛ ADE size 3 to 8, NPT 1/2" to 1 1/4" or ISO 20 to 40 with non-armoured cable
TC-ER-HL up to 1" diameter

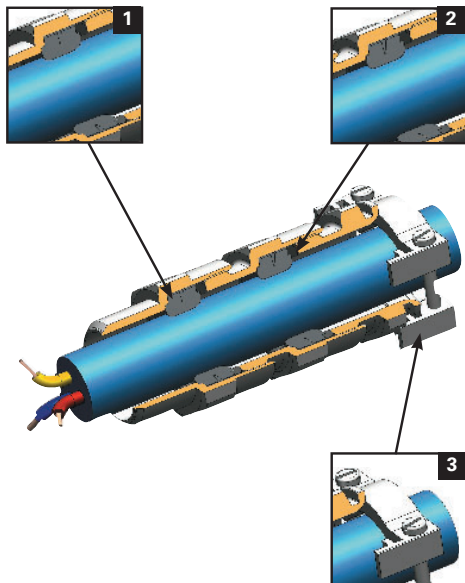
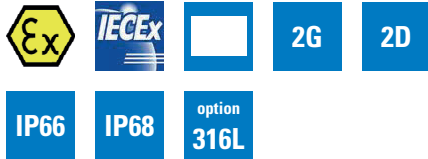
• UL: 3DJN E310130 Class I Zone 2*, AEx e II, Ex e II

Ⓛ ADE size 3 to 17, NPT 1/2" to 4" or ISO 20 to 110 with non-armoured cable
ITC, MV, PLTC, TC-ER, TC-ER-HL, TC

• UL: 3LRC E314047 Class I Zone 2*, AEx e II, Ex e II

Ⓛ ADE size 3 to 17, NPT 1/2" to 4" or ISO 20 to 110 with non-armoured marine cable

* Can be used in Div.2 provided that the enclosure contains no components that produce arcs or sparks.



Other certificates:

CEPEL 05.0558X

CCoE P360379-1

KOSHA 2015-BO-0249 to 0256

NANIO TC-RU C-FR.ГБ05.B.00858

NEPSI GYJ13.1082X

SABS MS/15-0314X

Shipping applications:

ABS 14-HS1274083-PDA

BV 40910/A0 BV

DNV TAE000010X

Lloyds 11/00072

DTS-01:1991

Technical specification

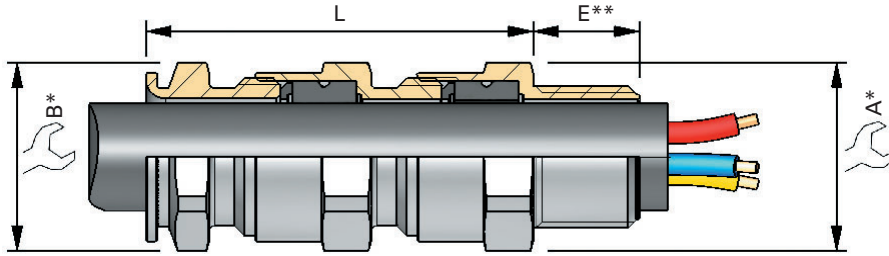
- Nickel-plated brass for superior corrosion resistance. 316L stainless steel, bronze and aluminum options available. It is recommended that a suitable lubricant is used on all threads of stainless steel and aluminum versions.
- Temperature range: -60 °C to +140 °C
- IP66 / IP68 according to the method of attachment and the condition of the equipment area, see page 2.5

Features and benefits

- 1: Flameproof and sealing on outer sheath of the cable
- 2: Environmental sealing and controlled pulling resistance on outer sheath of the cable.
- 3: Additional clamping for strain relief (optional).

ADE-1F2 DS - for non-armoured cable

Hazardous area cable glands



* For 'across corners' dimensions, multiply 'across flats' dimensions by 1.1

** For 'E' see thread dimension page 5.18

SERIES	THREAD SIZE	CABLE SEALING RANGE	MATERIAL	OPTION
ADE2	M25	3	NPN	

0 = XS
1 = S
2 = M
3 = L

CODES

K1	Accessories kit 1
K2	Accessories kit 2
K3	Accessories kit 3
BLANK	No option

NPN	Nickel-plated brass
SSN	Stainless steel
BZN	Bronze
ALN	Aluminum (not Group I)

KIT OPTIONS

K1	Kit 1 contents:
	<ul style="list-style-type: none"> • Locknut • Green composite washer
	Kit 2 contents:
K2	<ul style="list-style-type: none"> • Locknut • Green composite washer • Earth tag • Shroud
	Kit 3 contents:
	<ul style="list-style-type: none"> • Locknut • Green composite washer • Earth tag • Serrated washer
K3	

Ordering codes

SERIES	THREAD SIZE (ISO)	THREAD SIZE CODE (ISO)	THREAD SIZE (NPT)	THREAD SIZE CODE (NPT)	CABLE SEALING RANGE	CABLE SEALING RANGE ISO (NPT)			ADE GLAND SIZE	CATALOG NUMBER (ISO)	CATALOG NUMBER (NPT)	
						OUTER SHEATH MIN - MAX	A	B				L
ADE2	12*	M12	-	-	3	4.5 - 8.0	17	17	42.0	4	ADE2M123NPN	-
ADE2	16*	M16	-	-	2	4.5 - 8.5	17	19	42.0	4	ADE2M162NPN	-
ADE2	16*	M16	-	-	3	7.0 - 12.0	19	19	47.0	5	ADE2M163NPN	-
ADE2	20	M20	1/2"	N050	0	2.7 - 5.5	15	24	42.0	3	ADE2M200NPN	ADE2N0500NPN
ADE2	20	M20	1/2"	N050	1	4.5 - 8.5	17	24	42.0	4	ADE2M201NPN	ADE2N0501NPN
ADE2	20	M20	1/2"	N050	2	7.0 - 12.0	19	24	47.0	5	ADE2M202NPN	ADE2N0502NPN
ADE2	20	M20	1/2"	N050	3	10.0 - 16.0 (15.5)	24	24	54.0	6	ADE2M203NPN	ADE2N0503NPN
ADE2	25	M25	3/4"	N075	1	7.0 - 12.0	19	30	47.0	5	ADE2M251NPN	ADE2N0751NPN
ADE2	25	M25	3/4"	N075	2	10.0 - 16.0	24	30	54.0	6	ADE2M252NPN	ADE2N0752NPN
ADE2	25	M25	3/4"	N075	3	13.5 - 20.5	30	30	63.0	7	ADE2M253NPN	ADE2N0753NPN
ADE2	32	M32	1"	N100	3	18.0 - 27.5 (26.0)	41	41	79.0	8	ADE2M323NPN	ADE2N1003NPN
ADE2	40	M40	1 1/4"	N125	3	23.0 - 34.0	48	48	86.0	9	ADE2M403NPN	ADE2N1253NPN
ADE2	50	M50	1 1/2"	N150	1	29.0 - 41.0	55	55	90.0	10	ADE2M501NPN	ADE2N1501NPN
ADE2	-	-	2"	N200	2	35.0 - 48.0	64	64	90.0	11	-	ADE2N2002NPN
ADE2	50	M50	-	-	2	35.0 - 45.0	64	64	99.0	11	ADE2M502NPN	-
ADE2	63	M63	2"	N200	3	42.0 - 56.0 (53.0)	72	72	106.0	12	ADE2M633NPN	ADE2N2003NPN
ADE2	75	M75	2 1/2"	N250	3	50.0 - 65.0 (62.5)	85	85	119.0	13	ADE2M753NPN	ADE2N2503NPN
ADE2	90	M90	3"	N300	2	58.0 - 74.0	95	95	123.0	14	ADE2M902NPN	ADE2N3002NPN
ADE2	90	M90	3"	N300	3	66.0 - 83.0 (78.0)	110	110	139.0	15	ADE2M903NPN	ADE2N3003NPN
ADE2	110	M110	3 1/2"	N350	2	75.0 - 93.0 (92.0)	120	120	139.0	16	ADE2M1102NPN	ADE2N3502NPN
ADE2	110	M110	4"	N400	3	85.0 - 104.0	135	135	156.0	17	ADE2M1103NPN	ADE2N4003NPN

* Not UL certified. Above catalog numbers are for nickel-plated brass; refer to order code diagram for other options.

All dimensions in mm.

ADE-1F2 A - for non-armoured cable

Hazardous area cable glands



Suitable for the following cable types:

- Non-armoured cable
- Marine shipboard cable; Type P cable
- Tray cable: TC

Integral clamping module provides 100% of cable clamping.

Certifications and compliances

• ATEX No. INERIS 12ATEX0032X

Zones 1 and 2, Groups I, IIA, IIB and IIC
Zones 21 and 22, Groups IIIA, IIIB and IIIC

⊕ II2GD / Ex db IIC / Ex eb IIC / Ex tb IIIC

⊕ II3G Ex nRc IIC

⊕ IM2 / Ex db I / Ex eb I ; for mining applications

Brass or bronze size 8 to 17; NPT 1" to 4", ISO 32 to 110
Stainless steel size 4 to 17; NPT 3/8" to 4", ISO 16 to 110

• IECEx No. IECEx INE 12.0025X

Zones 1 and 2, Groups I, IIA, IIB and IIC
Zones 21 and 22, Groups IIIA, IIIB and IIIC

Ex db IIC / Ex eb IIC / Ex nRc IIC / Ex tb IIIC

Ex db I / Ex eb I ; for mining applications

Brass or bronze size 8 to 17; NPT 1" to 4", ISO 32 to 110

Stainless steel size 8 to 17; NPT 1" to 4", ISO 32 to 110

• UL: 3DJN E310130 Class I Zone 1*, AEx e II

⊕ ADE size 3 to 8, NPT 1/2" to 1 1/4" or ISO 20 to 40 with non-armoured cable
TC-ER-HL up to 1" diameter

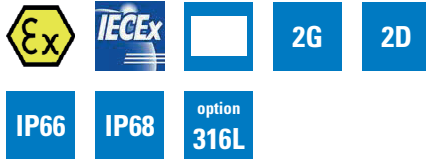
• UL: 3DJN E310130 Class I Zone 2*, AEx e II, Ex e II

⊕ ADE size 3 to 17, NPT 1/2" to 4" or ISO 20 to 110 with non-armoured cable
ITC, MV, PLTC, TC-ER, TC-ER-HL, TC

• UL: 3LRC E314047 Class I Zone 2*, AEx e II, Ex e II

⊕ ADE size 3 to 17, NPT 1/2" to 4" or ISO 20 to 110 with non-armoured marine cable

*Can be used in Div.2 provided that the enclosure contains no components that produce arcs or sparks.



Other certificates:

CEPEL 05.0558X

CCoE P360379-1

KOSHA 2015-BO-0249 to 0256

NANIO TC-RU C-FR.Γ505.B.00858

NEPSI GYJ13.1082X

SABS MS/15-0314X

Shipping applications:

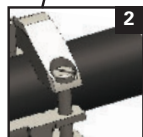
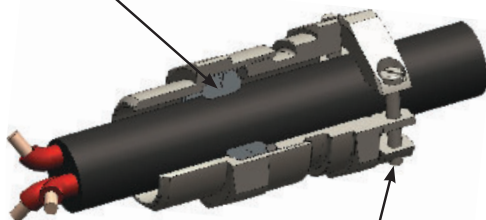
ABS 14-HS1274083-PDA

BV 40910/A0 BV

DNV TAE000010X

Lloyds 11/00072

DTS-01:1991



Technical specification

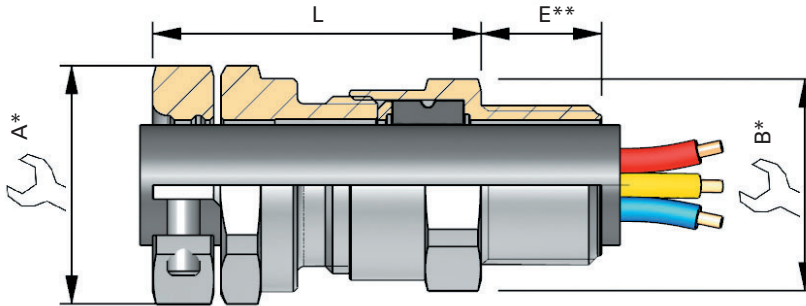
- Nickel-plated brass for superior corrosion resistance. 316L stainless steel, bronze and aluminum options available. It is recommended that a suitable lubricant is used on all threads of stainless steel and aluminum versions.
- Temperature range: -60 °C to +140 °C
- IP66 / IP68 according to the method of attachment and the condition of the equipment area, see page 2.5

Features and benefits

- 1: Specifically formulated elastomer for IP sealing on outer sheath of cable.
- 2: Integrated external cable clamping for strain relief.

ADE-1F2 A - for non-armoured cable

Hazardous area cable glands



* For 'across corners' dimensions, multiply 'across flats' dimensions by 1.1

**For 'E' see thread dimension page 5.18

SERIES	THREAD SIZE	CABLE SEALING RANGE	MATERIAL	OPTION
ADE1A	M25	3	NPN	

- 0 = XS
- 1 = S
- 2 = M
- 3 = L

CODES	
K1	Accessories kit 1
K2	Accessories kit 2
K3	Accessories kit 3
BLANK	No option

NPN	Nickel-plated brass
SSN	Stainless steel
BZN	Bronze
ALN	Aluminum (not Group I)

KIT OPTIONS	
K1	Kit 1 contents:
	<ul style="list-style-type: none"> • Locknut • Green composite washer
	Kit 2 contents:
K2	<ul style="list-style-type: none"> • Locknut • Green composite washer • Earth tag • Shroud
	Kit 3 contents:
	K3

Ordering codes

SERIES	THREAD SIZE (ISO)	THREAD SIZE CODE (ISO)	THREAD SIZE (NPT)	THREAD SIZE CODE (NPT)	CABLE SEALING RANGE	CABLE SEALING RANGE ISO (NPT)			ADE GLAND SIZE	CATALOG NUMBER (ISO)	CATALOG NUMBER (NPT)
						OUTER SHEATH MIN - MAX	A	B			
ADE1A	16*	M16	-	-	2	4.5 - 8.5	20	19	32.0	4	ADE1AM162NPN -
ADE1A	16*	M16	-	-	3	7.0 - 12.0	24	19	35.0	5	ADE1AM163NPN -
ADE1A	20	M20	1/2"	N050	0	2.8 - 5.5	15	24	28.0	3	ADE1AM200NPN ADE1AN0500NPN
ADE1A	20	M20	1/2"	N050	1	4.5 - 8.5	20	24	32.0	4	ADE1AM201NPN ADE1AN0501NPN
ADE1A	20	M20	1/2"	N050	2	7.0 - 12.0	24	24	35.0	5	ADE1AM202NPN ADE1AN0502NPN
ADE1A	20	M20	1/2"	N050	3	10.0 - (16.0) 15.5	27	24	40.0	6	ADE1AM203NPN ADE1AN0503NPN
ADE1A	25	M25	3/4"	N075	1	7.0 - 12.0	24	30	40.0	5	ADE1AM251NPN ADE1AN0751NPN
ADE1A	25	M25	3/4"	N075	2	10.0 - 16.0	27	30	40.0	6	ADE1AM252NPN ADE1AN0752NPN
ADE1A	25	M25	3/4"	N075	3	13.5 - 20.5	32	30	45.0	7	ADE1AM253NPN ADE1AN0753NPN
ADE1A	32	M32	1"	N100	3	18.0 - 27.5 (26.0)	41	41	55.0	8	ADE1AM323NPN ADE1AN1003NPN
ADE1A	40	M40	-	-	3	23.0 - 34.0	48	48	59.0	9	ADE1AM403NPN -

* Not UL certified. Above catalog numbers are for nickel-plated brass; refer to order code diagram for other options.

ADE-1F2 O-ring - for non-armoured cable

Hazardous area cable glands



Suitable for the following cable types:

- Non-armoured cable
- Marine shipboard cable; Type P cable
- Tray cable: TC

Provides 25% of cable clamping. As per IEC60079 § A.2.3.2 for group II or III cable glands, "without a clamping device, additional clamping of the cable is needed to ensure that pulling & twisting is not transmitted to the terminations". We recommend using the certified ADE clamping module (page 2.29).

Certifications and compliances

- **ATEX No. INERIS 12ATEX0032X**
Zones 1 and 2, Groups IIA, IIB and IIC
Zones 21 and 22, Groups IIIA, IIIB and IIIC
⊕ II2GD / Ex db IIC / Ex eb IIC / Ex tb IIIC
⊕ II3G Ex nRc IIC
- **IECEX No. IECEX INE 12.0025X**
Zones 1 and 2, Groups IIA, IIB and IIC
Zones 21 and 22, Groups IIIA, IIIB and IIIC
Ex db IIC / Ex eb IIC / Ex nRc IIC / Ex tb IIIC



- **UL: 3DJN E310130 Class I Zone 1*, AEx e II**
⊕ ADE size 3 to 8, ISO 20 to 40 with non-armoured cable TC-ER-HL up to 1" diameter.
 - **UL: 3DJN E310130 Class I Zone 2*, AEx e II, Ex e II**
⊕ ADE size 3 to 17, ISO 20 to 110 with non-armoured cable ITC, MV, PLTC, TC-ER, TC-ER-HL, TC
 - **UL: 3LRC E314047 Class I Zone 2*, AEx e II, Ex e II**
⊕ ADE size 3 to 17, ISO 20 to 110 with non-armoured marine cable
- *Can be used in Div.2 provided that the enclosure contains no components that produce arcs or sparks.

Other certificates:

CEPEL 05.0558X
CCoE P360379-1
KOSHA 2015-BO-0245 to 0248
NANIO TC-RU C-FR.Γ505.B.00858
NEPSI GYJ13.1082X
SABS MS/15-0314X

Shipping applications:

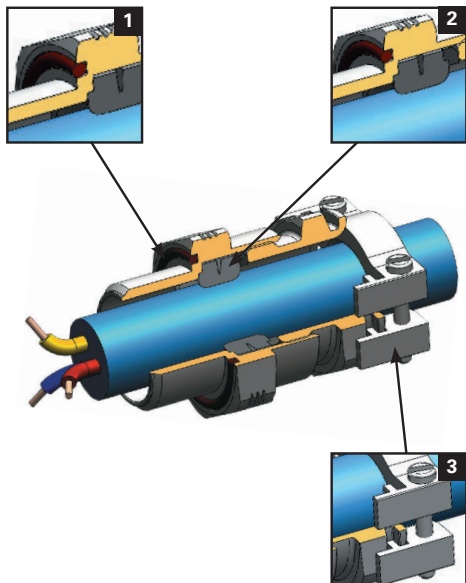
ABS 14-HS1274083-PDA
BV 40910/A0 BV
DNV TAE000010X
Lloyds 11/00072
DTS-01:1991

Technical specification

- Nickel-plated brass for superior corrosion resistance. 316L stainless steel option available. It is recommended that a suitable lubricant is used on all threads of stainless steel and aluminum versions.
- Temperature range: -60 °C to +140 °C
- IP66 / IP68 according to the method of attachment and the condition of the equipment area, see page 2.5

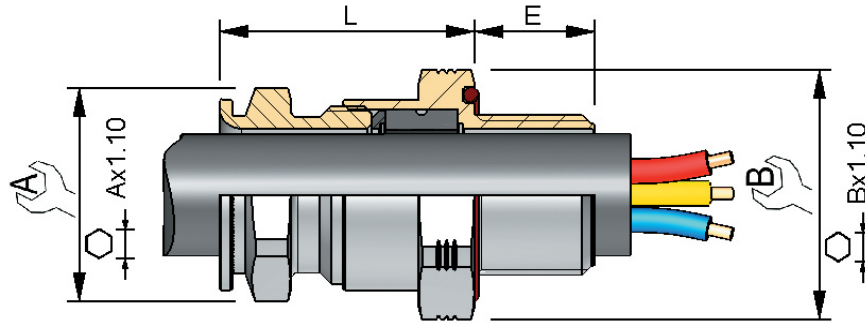
Features and benefits

- 1: Integrated O-ring eliminates need for externally fitted sealing washer.
- 2: Specifically formulated elastomer for IP sealing on outer sheath of cable.
- 3: Additional external cable clamping for strain relief (optional).



ADE-1F2 O-ring - for non-armoured cable

Hazardous area cable glands



* For 'across corners' dimensions, multiply 'across flats' dimensions by 1.1

** For 'E' see thread dimension page 5.18

SERIES	THREAD SIZE	CABLE SEALING RANGE	MATERIAL	OPTION
ADE10	M25	3	NPN	

0 = XS
1 = S
2 = M
3 = L

CODES	
BLANK	No option
NPN	Nickel-plated brass
SSN	Stainless steel

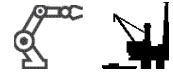
KIT OPTIONS	
K1	Kit 1 contents: • Locknut • Green composite washer
K2	Kit 2 contents: • Locknut • Green composite washer • Earth tag • Shroud
K3	Kit 3 contents: • Locknut • Green composite washer • Earth tag • Serrated washer

Ordering codes

SERIES	THREAD SIZE (ISO)	THREAD SIZE CODE (ISO)	CABLE SEALING RANGE	CABLE SEALING RANGE ISO OUTER SHEATH MIN - MAX	A	B	L	ADE GLAND SIZE	CATALOG NUMBER (ISO)
ADE10	20	M20	0	2.8 - 5.5	15	28	39.0	3	ADE10M200NPN
ADE10	20	M20	1	4.5 - 8.5	17	28	40.0	4	ADE10M201NPN
ADE10	20	M20	2	7.0 - 12.0	19	28	40.0	5	ADE10M202NPN
ADE10	20	M20	3	10.0 - 16.0	24	28	47.0	6	ADE10M203NPN
ADE10	25	M25	1	7.0 - 12.0	19	34	42.5	5	ADE10M251NPN
ADE10	25	M25	2	10.0 - 16.0	24	34	47.0	6	ADE10M252NPN
ADE10	25	M25	3	13.5 - 20.5	30	34	51.5	7	ADE10M253NPN
ADE10	32	M32	2	13.5 - 21.0	30	41	61.0	7	ADE10M322NPN
ADE10	32	M32	3	18.0 - 27.5	41	41	61.0	8	ADE10M323NPN
ADE10	40	M40	2	18.0 - 27.5	41	48	65.0	8	ADE10M402NPN
ADE10	40	M40	3	23.0 - 34.0	48	48	65.0	9	ADE10M403NPN
ADE10	50	M50	0	23.0 - 34.0	48	58	68.0	9	ADE10M500NPN
ADE10	50	M50	1	29.0 - 41.0	55	58	68.0	10	ADE10M501NPN
ADE10	50	M50	2	35.0 - 45.0	64	64	72.5	11	ADE10M502NPN
ADE10	63	M63	2	35.0 - 45.0	64	72	77.0	11	ADE10M632NPN
ADE10	63	M63	3	42.0 - 56.0	72	72	77.0	12	ADE10M633NPN

1F2 ADCC- for flexible and rigid conduit

Hazardous area cable glands



Suitable for the following cable types:

- Non-armoured cable in flexible conduit
- Non-armoured cable in rigid conduit

Certifications and compliances

• ATEX No. ITS 16ATEX18417X, INERIS 12ATEX0032X

Zones 1 and 2, Groups IIA, IIB and IIC
 Zones 21 and 22, Groups IIIA, IIIB and IIIC
 Ⓢ II2GD / Ex db IIC / Ex eb IIC / Ex tb IIIC

• IECEx No. IECEx ITS 16.0027X, IECEx INE 12.0025X

Zones 1 and 2, Groups IIA, IIB and IIC
 Zones 21 and 22, Groups IIIA, IIIB and IIIC
 Ex db IIC / Ex eb IIC / Ex nRc IIC / Ex tb IIIC

Other certificates:

NEPSI GYJ18.1100X
 SABS MS/18-0208X

Shipping applications:

ABS 14-HS1274083-PDA
 DNV TAE000010X
 DTS-01:1991

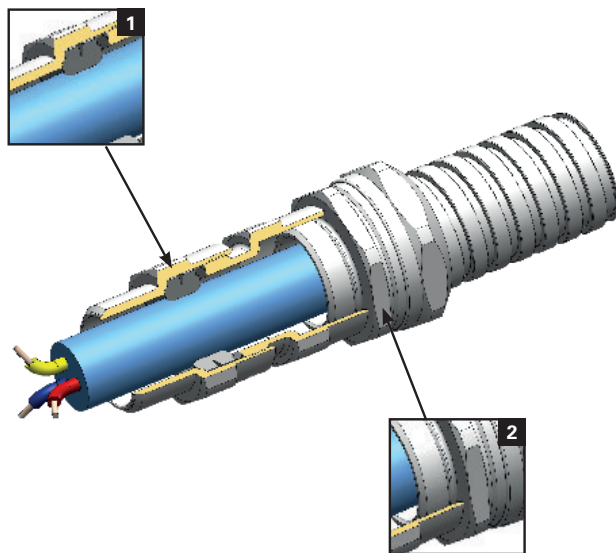


Technical specification

- Nickel-plated brass for superior corrosion resistance. 316L stainless steel option available. It is recommended that a suitable lubricant is used on all threads of stainless steel versions.
- Temperature range: -60 °C to +140 °C
- IP66 / IP68 according to the method of attachment and the condition of the equipment area.

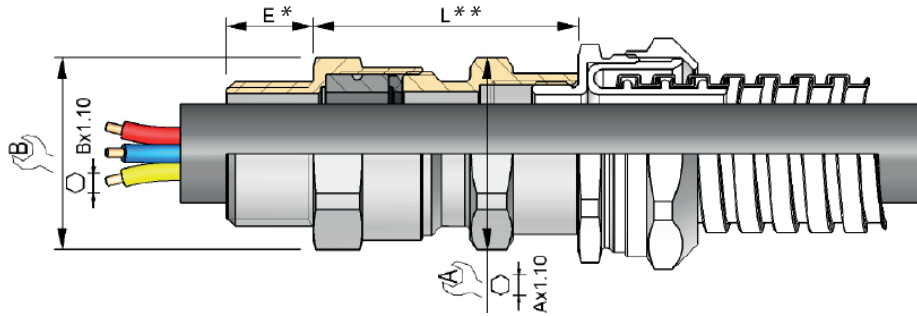
Features and benefits

- 1: Specifically formulated flameproof elastomer for IP sealing on outer sheath of cable
- 2: Female thread for flexible or rigid conduit - multiple female thread options available



1F2 ADCC- for flexible and rigid conduit

Hazardous area cable glands



* For 'E' see thread dimension page 5.18

**For 'L' dimensions see conduit gland dimension table on page 5.16

For 'across corners' dimensions, multiply 'across flats' dimensions by 1.1

SERIES	THREAD SIZE MALE	CABLE SEALING RANGE	THREAD SIZE FEMALE	MATERIAL	OPTION
ADCC	M25	3	M25	NPN	

SELECT → **CODES**

CODE	DESCRIPTION
K1	Accessories kit 1
BLANK	No option

SELECT → **KIT OPTIONS**

KIT	CONTENTS
K1	Kit 1 contents: • Locknut • Green composite washer

SELECT → **MATERIAL**

OPTION	DESCRIPTION
NPN	Nickel-plated brass
SSN	Stainless steel

SELECT → **OPTION**

OPTION	DESCRIPTION
0 = XS	
1 = S	
2 = M	
3 = L	

SELECT → **ADCC = rigid connection**

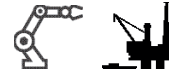
Code example: **ADCCM253M25NPN**
 cable gland ADCC in nickel-plated brass, male M25 x female M25, sealing range n°3

SERIES	MALE THREAD SIZE (ISO)		MALE THREAD SIZE (NPT)		CABLE SEALING RANGE	CABLE SEALING RANGE ISO (NPT) OUTER SHEATH MIN - MAX	FEMALE THREAD SIZE			DIMENSIONS		ADE GLAND SIZE
	THREAD SIZE	THREAD SIZE CODE	THREAD SIZE	THREAD SIZE CODE			ISO	NPT	BSPP	A	B	
ADCC	20	M20	1/2"	N050	0	2.8 - 5.5	M20	N050	G050	24.0	24.0	3
ADCC	20	M20	1/2"	N050	1	4.5 - 8.5	M20	N050	G050	24.0	24.0	4
ADCC	20	M20	1/2"	N050	2	7.0 - 12.0	M20	N050	G050	24.0	24.0	5
ADCC	20	M20	1/2"	N050	3	10.0 - 16.0 (15.5)	M20	N050	G050	24.0	24.0	6
ADCC	20	M20	1/2"	N050	3	10.0 - 16.0 (15.5)	M25	N075	G075	30.0	24.0	6
ADCC	25	M25	3/4"	N075	2	10.0 - 16.0	M25	N075	G075	30.0	30.0	6
ADCC	25	M25	3/4"	N075	3	13.5 - 20.5	M25	N075	G075	30.0	30.0	7
ADCC	25	M25	3/4"	N075	3	13.5 - 20.5	M32	N100	G100	41.0	30.0	7
ADCC	32	M32	1"	N100	2	13.5 - 20.5	M32	N100	G100	41.0	41.0	7
ADCC	32	M32	1"	N100	3	18.0 - 27.5 (26.0)	M32	N100	G100	41.0	41.0	8
ADCC	32	M32	1"	N100	3	18.0 - 27.5 (26.0)	M40	N125	G125	48.0	41.0	8
ADCC	40	M40	1 1/4"	N125	2	18.0 - 27.5	M40	N125	G125	48.0	48.0	8
ADCC	40	M40	1 1/4"	N125	3	23.0 - 34.0	M40	N125	G125	48.0	48.0	9
ADCC	40	M40	1 1/4"	N125	3	23.0 - 34.0	M50	N150	G150	55.0	48.0	9
ADCC	50	M50	1 1/2"	N150	1	23.0 - 34.0	M50	N150	G150	55.0	55.0	9
ADCC	50	M50	1 1/2"	N150	2	29.0 - 41.0	M50	N150	G150	55.0	55.0	10
ADCC	50	M50	-	-	3	35.0 - 45.0	M50	N150	G150	64.0	55.0	11
ADCC	50	M50	-	-	3	35.0 - 45.0	M63	N200	G200	72.0 (64.0)	55.0	11
ADCC	63	M63	2"	N200	2	35.0 - 48.0	M63	N200	G200	72.0 (64.0)	72.0	11
ADCC	63	M63	2"	N200	3	42.0 - 56.0 (53.0)	M63	N200	G200	72.0	72.0	12
ADCC	63	M63	2"	N200	3	42.0 - 56.0 (53.0)	M75	N250	G250	85.0	72.0	12
ADCC	75	M75	2 1/2"	N250	2	42.0 - 56.0	M75	N250	G250	85.0	85.0	12
ADCC	75	M75	2 1/2"	N250	3	50.0 - 65.0 (62.5)	M75	N250	G250	85.0	85.0	13
ADCC	75	M75	2 1/2"	N250	3	50.0 - 65.0 (62.5)	M90	N300	G300	95.0	95.0	13
ADCC	90	M90	3"	N300	2	58.0 - 74.0	M90	N300	G300	95.0	95.0	14
ADCC	90	M90	3"	N300	3	66.0 - 83.0 (78.0)	M90	N300	G300	110.0	110.0	15
ADCC	-	-	3 1/2"	N350	2	66.0 - 78.0	M90	N350	G350	110.0	110.0	15
ADCC	-	-	3 1/2"	N350	3	75.0 - 92.0	M110	N350	G350	120.0	120.0	16
ADCC	110	M110	-	-	2	75.0 - 93.0	M110	N350	G350	120.0	120.0	16
ADCC	110	M110	4"	N400	3	85.0 - 104.0	M110	N400	G400	135.0	135.0	17

All dimensions in mm.

1F2 ADCS - for rigid conduit

Hazardous area cable glands



Suitable for the following cable types:

- Non-armoured cable in rigid conduit

Certifications and compliances

- **ATEX No. ITS 16ATEX18417X, INERIS 12ATEX0032X**

Zones 1 and 2, Groups IIA, IIB and IIC
Zones 21 and 22, Groups IIIA, IIIB and IIIC

⊕ II2GD / Ex db IIC / Ex eb IIC / Ex tb IIIC

- **IECEX No. IECEX ITS 16.0027X, IECEX INE 12.0025X**

Zones 1 and 2, Groups IIA, IIB and IIC
Zones 21 and 22, Groups IIIA, IIIB and IIIC
Ex db IIC / Ex eb IIC / Ex nRc IIC / Ex tb IIIC

Other certificates:

NEPSI GYJ18.1100X

SABS MS/18-0208X

Shipping applications:

ABS 14-HS1274083-PDA

DNV TAE000010X

DTS-01:1991

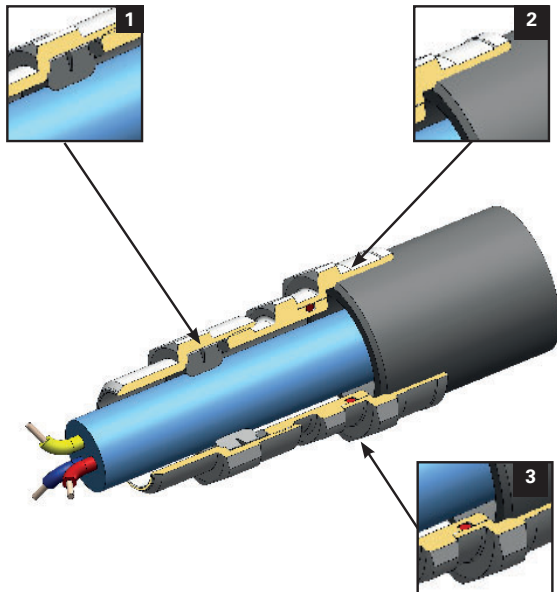
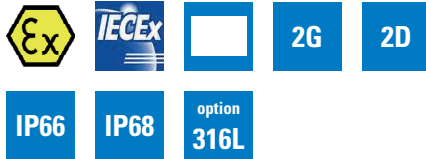


Technical specification

- Nickel-plated brass for superior corrosion resistance. 316L stainless steel option available. It is recommended that a suitable lubricant is used on all threads of stainless steel versions.
- Temperature range: -60 °C to +140 °C
- IP66 / IP68 according to the method of attachment and the condition of the equipment area.

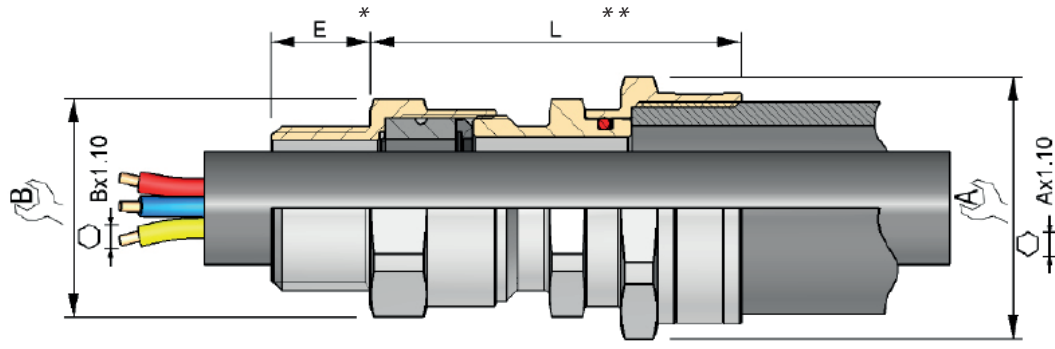
Features and benefits

- 1: Specifically formulated flameproof elastomer for IP sealing on outer sheath of cable
- 2: Female thread for rigid conduit - multiple female thread options available
- 3: Swivel connection providing easy installation for rigid conduit



1F2 ADCS - for rigid conduit

Hazardous area cable glands



* For 'E' see thread dimension page 5.18

** For 'L' dimensions see conduit gland dimension table on page 5.17

For 'across corners' dimensions, multiply 'across flats' dimensions by 1.1

SERIES	THREAD SIZE MALE	CABLE SEALING RANGE	THREAD SIZE FEMALE	MATERIAL	OPTION
ADCS	M25	3	M25	NPN	

SELECT → **CODES**

CODE	DESCRIPTION
K1	Accessories kit 1
BLANK	No option

SELECT → **KIT OPTIONS**

KIT	CONTENTS
K1	<ul style="list-style-type: none"> Locknut Green composite washer

SELECT → **MATERIAL**

Material Code	Description
NPN	Nickel-plated brass
SSN	Stainless steel

SELECT → **OPTION**

Option Code	Description
0	XS
1	S
2	M
3	L

SELECT → **ADCS = swivel connection**

Code example: **ADCSM253M25NPN**
 cable gland ADCS in nickel-plated brass, male M25 x female M25, sealing range n°3

SERIES	MALE THREAD SIZE (ISO)		MALE THREAD SIZE (NPT)		CABLE SEALING RANGE	CABLE SEALING RANGE ISO (NPT)		FEMALE THREAD SIZE			DIMENSIONS ISO (NPT)		ADE GLAND SIZE
	THREAD SIZE	THREAD SIZE CODE	THREAD SIZE	THREAD SIZE CODE		MIN	MAX	ISO	NPT	BSPP	A	B	
ADCS	20	M20	1/2"	N050	0	2.8	5.5	M20	N050	G050	24.0 (27.0)	24.0	3
ADCS	20	M20	1/2"	N050	1	4.5	8.5	M20	N050	G050	24.0 (27.0)	24.0	4
ADCS	20	M20	1/2"	N050	2	7.0	12.0	M20	N050	G050	24.0 (27.0)	24.0	5
ADCS	20	M20	1/2"	N050	3	10.0	16.0 (15.5)	M20	N050	G050	24.0 (27.0)	24.0	6
ADCS	20	M20	1/2"	N050	3	10.0	16.0 (15.5)	M25	N075	G075	30.0	24.0	6
ADCS	25	M25	3/4"	N075	2	10.0	16.0	M25	N075	G075	30.0	30.0	6
ADCS	25	M25	3/4"	N075	3	13.5	20.5	M25	N075	G075	30.0	30.0	7
ADCS	25	M25	3/4"	N075	3	13.5	20.5	M32	N100	G100	36.0 (41.0)	30.0	7
ADCS	32	M32	1"	N100	2	13.5	20.5	M32	N100	G100	36.0 (41.0)	41.0	7
ADCS	32	M32	1"	N100	3	18.0	27.5 (26.0)	M32	N100	G100	41.0	41.0	8
ADCS	32	M32	1"	N100	3	18.0	27.5 (26.0)	M40	N125	G125	44.0 (48.0)	41.0	8
ADCS	40	M40	1 1/4"	N125	2	18.0	27.5	M40	N125	G125	44.0 (48.0)	48.0	8
ADCS	40	M40	1 1/4"	N125	3	23.0	34.0	M40	N125	G125	48.0	48.0	9
ADCS	40	M40	1 1/4"	N125	3	23.0	34.0	M50	N150	G150	55.0	48.0	9
ADCS	50	M50	1 1/2"	N150	1	23.0	34.0	M50	N150	G150	55.0	55.0	9
ADCS	50	M50	1 1/2"	N150	2	29.0	41.0	M50	N150	G150	55.0	55.0	10
ADCS	50	M50	-	-	3	35.0	45.0	M50	N150	G150	64.0	55.0	11
ADCS	50	M50	-	-	3	35.0	45.0	M63	N200	G200	67.0	55.0	11
ADCS	63	M63	2"	N200	2	35.0	48.0	M63	N200	G200	67.0	72.0	11
ADCS	63	M63	2"	N200	3	42.0	56.0 (53.0)	M63	N200	G200	72.0	72.0	12
ADCS	63	M63	2"	N200	3	42.0	56.0 (53.0)	M75	N250	G250	85.0	72.0	12
ADCS	75	M75	2 1/2"	N250	2	42.0	56.0	M75	N250	G250	85.0	85.0	12
ADCS	75	M75	2 1/2"	N250	3	50.0	65.0 (62.5)	M75	N250	G250	85.0	85.0	13
ADCS	75	M75	2 1/2"	N250	3	50.0	65.0 (62.5)	M90	N300	G300	95.0	95.0	13
ADCS	90	M90	3"	N300	2	58.0	74.0	M90	N300	G300	95.0	95.0	14
ADCS	90	M90	3"	N300	3	66.0	83.0 (78.0)	M90	N300	G300	110.0	110.0	15
ADCS	-	-	3 1/2"	N350	2	66.0	78.0	M90	N350	G350	110.0	110.0	15
ADCS	-	-	3 1/2"	N350	3	75.0	92.0	M110	N350	G350	120.0	120.0	16
ADCS	110	M110	-	-	2	75.0	93.0	M110	N350	G350	120.0	120.0	16
ADCS	110	M110	4"	N400	3	85.0	104.0	M110	N400	G400	135.0	135.0	17

All dimensions in mm.

ADE-1FC - for non-armoured cable

Hazardous area cable glands



Suitable for the following cable types:

- Non-armoured cable
- Marine shipboard cable; Type P cable
- Tray cable: TC

Sealing ring and TSC compound provides 100% of cable clamping

Certifications and compliances

• ATEX No. INERIS 12ATEX0032X

Zones 1 and 2, Groups I, IIA, IIB and IIC
Zones 21 and 22, Groups IIIA, IIIB and IIIC
⊕ IIC2GD / Ex db IIC / Ex eb IIC / Ex tb IIIC
⊕ IIC3 Ex nRc IIC

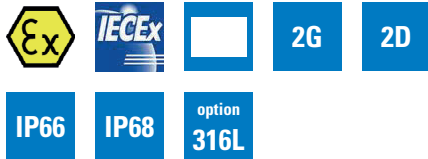
⊕ IM2 / Ex db I / Ex eb I ; for mining applications

Brass, stainless steel or bronze size 11 to 16; NPT 2" to 4", ISO 63 to 110

• IECEx No. IECEx INE 12.0025X

Zones 1 and 2, Groups I, IIA, IIB and IIC
Zones 21 and 22, Groups IIIA, IIIB and IIIC
Ex db IIC / Ex eb IIC / Ex nRc IIC / Ex tb IIIC
Ex db I / Ex eb I ; for mining applications

Brass, stainless steel or bronze size 11 to 16; NPT 2" to 4", ISO 63 to 110



• UL: 3DJN E310130 Class I Zone 2*, AEx e II, Ex e II

⊕ ADE size 4 to 16, NPT 1/2" to 4" or ISO 20 to 110 with non-armoured cable ITC, MV, PLTC, TC-ER, TC-ER-HL, TC and compound TSC

• UL: 3DJN E310130 Class I Division 1, Groups A, B, C and D

⊕ ADE size 4 to 9, NPT 1/2" to 1 1/4" or ISO 20 to 40 with non-armoured cable TC-ER-HL and compound TSC. ADE size 4 to 16, NPT 1/2" to 4" or ISO 20 to 110 with non-armoured cable ITC-HL and compound TSC

• UL: 3DJN E310130 Class I Division 2, Groups A, B, C and D

⊕ ADE size 4 to 16, NPT 1/2" to 4" or ISO 20 to 110 with non-armoured cable ITC, ITC-ER, ITC-HL, MV, PLTC, PLTC-ER, TC-ER, TC-ER-HL, TC and compound TSC

• UL: 4EC5 E324850 Class I Division 2, Groups A, B, C and D

⊕ ADE size 4 to 16, NPT 1/2" to 4" or ISO 20 to 110 with non-armoured marine cable and compound TSC

* Can be used in Div.2 provided that the enclosure contains no components that produce arcs or sparks

Other certificates:

CEPEL 05.0558X
CCoE P360379-1
KOSHA 2015-BO-0479 to 0482
NANIO TC-RU C-FR.ГБ05.B.00858
NEPSI GYJ13.1082X
SABS MS/15-0314X

Shipping applications:

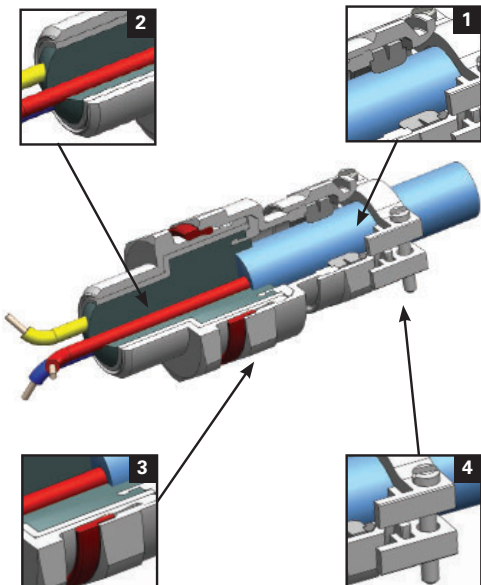
ABS 14-HS1274083-PDA
BV 40910/A0 BV
DNV TAE000010X
Lloyds 11/00072
DTS-01:1991

Technical specification

- Nickel-plated brass for superior corrosion resistance. 316L stainless steel, bronze and aluminum options available. It is recommended that a suitable lubricant is used on all threads of stainless steel and aluminum versions.
- Temperature range:
-60 °C to +80 °C
- IP66 / IP68 according to the method of attachment and the condition of the equipment area, see page 2.5
- Equipped with a 'deluge' seal.

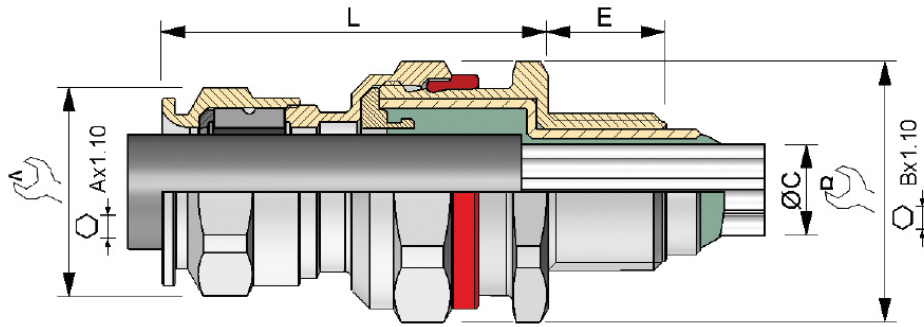
Features and benefits

- 1: Specifically formulated elastomer for IP sealing on outer sheath of cable
- 2: Sealing of cable conductors with compound barrier seal
- 3: Deluge seal provides enhanced ingress protection
- 4: Additional external cable clamping for strain relief (optional)



ADE-1FC - for non-armoured cable

Hazardous area cable glands



* For 'across corners' dimensions, multiply 'across flats' dimensions by 1.1

** For 'E' see thread dimension page 5.18

SERIES	THREAD SIZE	CABLE SEALING RANGE	MATERIAL	BARRIER	OPTION
ADE1C	M25	3	NP	SCN	

0 = XS
1 = S
2 = M
3 = L

CODES	
K1	Accessories kit 1
K2	Accessories kit 2
K3	Accessories kit 3
BLANK	No option
SCN	Solid compound
NP	Nickel-plated brass
SS	Stainless steel

KIT OPTIONS	
K1	Kit 1 contents: • Locknut • Green composite washer
K2	Kit 2 contents: • Locknut • Green composite washer • Earth tag • Shroud
K3	Kit 3 contents: • Locknut • Green composite washer • Earth tag • Serrated washer

Ordering codes

SERIES	THREAD SIZE (ISO)	THREAD SIZE CODE (ISO)	THREAD SIZE (NPT)	THREAD SIZE CODE (NPT)	CABLE SEALING RANGE	CABLE SEALING RANGE MIN - MAX	C=Ø MAX OVER CORES	MAX No. OF CORES	A	B	L	ADE GLAND SIZE	CATALOG NUMBER (ISO)	CATALOG NUMBER (NPT)
ADE1C	16*	M16	3/8**	N038	3	4.0 - 8.0	6.5	6	15	19	36.0	4	ADE1CM163NPSCN	ADE1CN0383NPSCN
ADE1C	20	M20	1/2"	N050	1	4.0 - 8.0	6.5	6	15	24	36.0	4	ADE1CM201NPSCN	ADE1CN0501NPSCN
ADE1C	20	M20	1/2"	N050	2	6.0 - 12.0	9.5	6	19	24	42.0	5	ADE1CM202NPSCN	ADE1CN0502NPSCN
ADE1C	20	M20	1/2"	N050	3	8.5 - 16.0	12.0	10	24	30	48.5	6	ADE1CM203NPSCN	ADE1CN0503NPSCN
ADE1C	25	M25	3/4"	N075	2	8.5 - 16.0	12.0	10	24	30	48.5	6	ADE1CM252NPSCN	ADE1CN0752NPSCN
ADE1C	25	M25	3/4"	N075	3	12.0 - 21.0	17.0	21	30	41	58.0	7	ADE1CM253NPSCN	ADE1CN0753NPSCN
ADE1C	32	M32	1"	N100	2	12.0 - 21.0	17.0	21	30	41	58.0	7	ADE1CM322NPSCN	ADE1CN1002NPSCN
ADE1C	32	M32	1"	N100	3	16.0 - 27.5	23.0	42	41	48	70.0	8	ADE1CM323NPSCN	ADE1CN1003NPSCN
ADE1C	40	M40	1 1/4"	N125	2	16.0 - 27.5	23.0	42	41	48	70.0	8	ADE1CM402NPSCN	ADE1CN1252NPSCN
ADE1C	40	M40	1 1/4"	N125	3	21.0 - 34.0	29.0	60	48	55	79.0	9	ADE1CM403NPSCN	ADE1CN1253NPSCN
ADE1C	50	M50	1 1/2"	N150	2	21.0 - 34.0	29.0	60	48	55	79.0	9	ADE1CM502NPSCN	ADE1CN1502NPSCN
ADE1C	50	M50	2"	N200	1	27.0 - 41.0	36.5	80	55	64	88.0	10	ADE1CM501NPSCN	ADE1CN2001NPSCN
ADE1C	63	M63	2"	N200	2	33.0 - 48.0	43.0	100	64	72	98.0	11	ADE1CM632NPSCN	ADE1CN2002NPSCN
ADE1C	63	M63	2"	N200	3	40.0 - 56.0	50.0	100	72	85	103.0	12	ADE1CM633NPSCN	ADE1CN2003NPSCN
ADE1C	-	-	2 1/2"	N250	2	40.0 - 56.0	50.0	100	72	85	103.0	12	-	ADE1CN2502NPSCN
ADE1C	75	M75	2 1/2"	N250	3	46.0 - 65.0	59.0	120	85	95	111.0	13	ADE1CM753NPSCN	ADE1CN2503NPSCN
ADE1C	-	-	3"	N300	1	46.0 - 65.0	59.0	120	85	95	111.0	13	-	ADE1CN3001NPSCN
ADE1C	90	M90	3"	N300	2	54.0 - 74.0	66.0	140	95	110	120.0	14	ADE1CM902NPSCN	ADE1CN3002NPSCN
ADE1C	-	-	3 1/2"	N350	2	54.0 - 74.0	66.0	140	95	110	120.0	14	-	ADE1CN3502NPSCN
ADE1C	90	M90	3"	N300	3	63.0 - 83.0	75.0	140	110	120	125.0	15	ADE1CM903NPSCN	ADE1CN0383NPSCN
ADE1C	-	-	3 1/2"	N350	3	63.0 - 83.0	75.0	140	110	120	125.0	15	-	ADE1CN3503NPSCN
ADE1C	110	M110	4"	N400	3	72.0 - 93.0	85.0	200	120	135	128.0	16	ADE1CM1103NPSCN	ADE1CN4003NPSCN

* Not UL certified. Above catalog numbers are for nickel-plated brass; refer to order code diagram for other options..

All dimensions in mm.

ADE-4F - for armoured cable

Hazardous area cable glands



Suitable for the following cable types:

- Steel wire armoured cable (SWA)
- Steel wire braided cable (SWB)
- Steel tape armoured cable (STA)
- Braided marine shipboard cable; Type P cable

Double seal provides 100% of cable clamping, including braided cables.

Certifications and compliances

• ATEX No. INERIS 12ATEX0032X

Zones 1 and 2, Groups I, IIA, IIB and IIC
Zones 21 and 22, Groups IIIA, IIIB and IIIC

⊕ II2GD / Ex db IIC / Ex eb IIC / Ex tb IIIC

⊕ II3G Ex nRc IIC

⊕ IM2 / Ex db I / Ex eb I ; for mining applications

Brass or bronze size 8 to 17; NPT 3/4" to 4", ISO 25 to 110

Stainless steel size 4 to 17; NPT 3/8" to 4", ISO 16 to 110

• IECEx No. IECEx INE 12.0025X

Zones 1 and 2, Groups I, IIA, IIB and IIC
Zones 21 and 22, Groups IIIA, IIIB and IIIC

Ex db IIC / Ex eb IIC / Ex nRc IIC / Ex tb IIIC

Ex db I / Ex eb I ; for mining applications

Brass or bronze size 8 to 17; NPT 3/4" to 4", ISO 25 to 110

Stainless steel size 4 to 17; NPT 3/8" to 4", ISO 16 to 110

• UL: 3DJN E310130 Class I Zone 2*, AEx e II, Ex e II

⊕ ADE size 4 to 17, NPT 1/2" to 4" or ISO 20 to 110 with armoured cable
ITC, MV, PLTC, TC-ER, TC-ER-HL, TC

• UL: 3LRC E314047 Class I Zone 2*, AEx e II, Ex e II

⊕ ADE size 4 to 17, NPT 1/2" to 4" or ISO 20 to 110 with armoured marine cable

* Can be used in Div.2 provided that the enclosure contains no components that produce arcs or sparks.



Other certificates:

CEPEL 05.0559X

CCoE P360379-1

KOSHA 2015-BO-0245 to 0248

NANIO TC-RU C-FR.ГБ05.B.00858

NEPSI GYJ13.1082X

SABS MS/15-0314X

Shipping applications:

ABS 14-HS1274083-PDA

BV 40910/A0 BV

DNV TAE000010X

Lloyds 11/00072

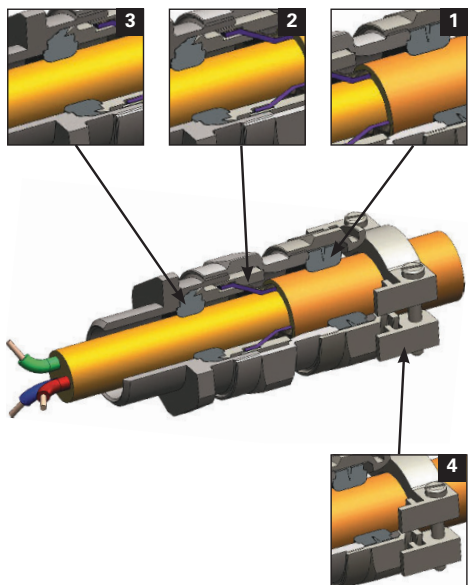
DTS-01:1991

Technical specification

- Nickel-plated brass for superior corrosion resistance. 316L stainless steel, bronze and aluminum options available. It is recommended that a suitable lubricant is used on all threads of stainless steel and aluminum versions.
- Temperature range: -60 °C to +140 °C
- IP66 / IP68 according to the method of attachment and the condition of the equipment area, see page 2.5

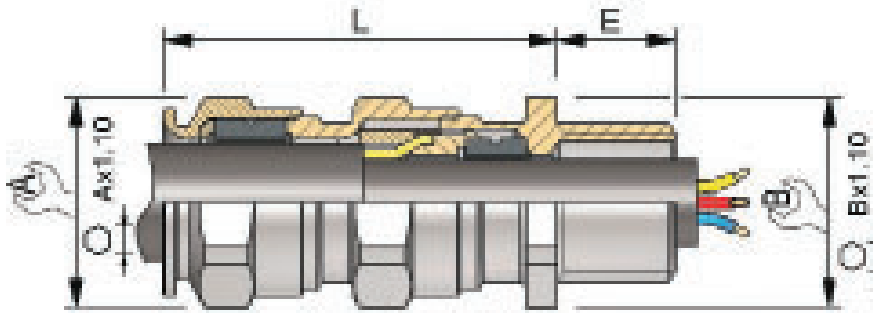
Features and benefits

- 1: Specifically formulated elastomer for IP sealing on outer sheath of cable
- 2: Universal clamping design for earthing and bonding of armour shield.
Provides mechanical strength and is suitable for all armour shield types, with no requirement to reverse components that may introduce risk of incorrect installation.
- 3: Specifically formulated elastomer for flame path sealing on inner sheath of the cable.
- 4: Additional external cable clamping for strain relief (optional)



ADE-4F - for armoured cable

Hazardous area cable glands



* For 'across corners' dimensions, multiply 'across flats' dimensions by 1.1

** For 'E' see thread dimension page 5.18

SERIES	THREAD SIZE	CABLE SEALING RANGE	MATERIAL	OPTION
ADE4	M25	3	NPN	

0 = XS
1 = S
2 = M
3 = L

CODES

K1 Accessories kit 1
K2 Accessories kit 2
K3 Accessories kit 3
BLANK No option

NPN Nickel-plated brass
SSN Stainless steel
BZN Bronze
ALN Aluminum (not Group I)

KIT OPTIONS

K1 Kit 1 contents:
• Locknut
• Green composite washer

K2 Kit 2 contents:
• Locknut
• Green composite washer
• Earth tag
• Shroud

K3 Kit 3 contents:
• Locknut
• Green composite washer
• Earth tag
• Serrated washer

Ordering codes

SERIES	THREAD SIZE (ISO)	THREAD SIZE CODE (ISO)	THREAD SIZE (NPT)(NPT)	CABLE SEALING RANGE	CABLE SEALING RANGE			A	B	L	ADE GLAND SIZE	CATALOG NUMBER (ISO)	CATALOG NUMBER (NPT)	
					INNER SHEATH MIN - MAX	OUTER SHEATH MIN - MAX	ARMOUR MIN - MAX							
ADE4	12*	M12	1/4**	N025	3	4.5 - 8.0	7.0 - 12.0	0.2 - 0.9	19	19	46.0	5	ADE4M123NPN	ADE4N0253NPN
ADE4	16*	M16	3/8**	N038	1	2.8 - 5.5	4.5 - 8.5	0.2 - 0.9	17	19	41.0	4	ADE4M161NPN	ADE4N0381NPN
ADE4	16*	M16	3/8**	N038	2	4.5 - 8.0	7.0 - 12.0	0.2 - 0.9	19	19	46.0	5	ADE4M162NPN	ADE4N0382NPN
ADE4	16*	M16	3/8**	N038	3	7.0 - 12.0	10.0 - 16.0	0.2 - 1.3	24	24	51.0	6	ADE4M163NPN	ADE4N0383NPN
ADE4	20	M20	1/2"	N050	0	2.8 - 5.5	4.5 - 8.5	0.2 - 0.9	17	24	41.0	4	ADE4M200NPN	ADE4N0500NPN
ADE4	20	M20	1/2"	N050	1	4.5 - 8.0	7.0 - 12.0	0.2 - 0.9	19	24	46.0	5	ADE4M201NPN	ADE4N0501NPN
ADE4	20	M20	1/2"	N050	2	7.0 - 12.0	10.0 - 16.0	0.2 - 1.3	24	24	51.0	6	ADE4M202NPN	ADE4N0502NPN
ADE4	20	M20	1/2"	N050	3	10.0 - 15.5	13.5 - 21.0	0.2 - 1.3	30	30	57.5	7	ADE4M203NPN	ADE4N0503NPN
ADE4	25	M25	3/4"	N075	1	7.0 - 12.0	10.0 - 16.0	0.2 - 1.3	24	30	51.0	6	ADE4M251NPN	ADE4N0751NPN
ADE4	25	M25	3/4"	N075	2	10.0 - 15.5	13.5 - 21.0	0.2 - 1.3	30	30	57.5	7	ADE4M252NPN	ADE4N0752NPN
ADE4	25	M25	3/4"	N075	3	13.5 - 20.5	18.0 - 27.5	0.2 - 1.6	41	41	68.0	8	ADE4M253NPN	ADE4N0753NPN
ADE4	32	M32	1"	N100	2	13.5 - 21.0	18.0 - 27.5	0.2 - 1.6	41	41	68.0	8	ADE4M322NPN	ADE4N1002NPN
ADE4	32	M32	1"	N100	3	18.0 - 26.0	23.0 - 34.0	0.2 - 1.6	48	48	76.0	9	ADE4M323NPN	ADE4N1003NPN
ADE4	40	M40	1 1/4"	N125	2	18.0 - 27.5	23.0 - 34.0	0.2 - 1.6	48	48	76.0	9	ADE4M402NPN	ADE4N1252NPN
ADE4	40	M40	1 1/4"	N125	3	23.0 - 34.0	29.0 - 41.0	0.2 - 2.0	55	55	88.0	10	ADE4M403NPN	ADE4N1253NPN
ADE4	50	M50	1 1/2"	N150	2	23.0 - 34.0	29.0 - 41.0	0.2 - 2.0	55	55	88.0	10	ADE4M502NPN	ADE4N1502NPN
ADE4	50	M50	1 1/2"	N150	3	29.0 - 41.0	35.0 - 48.0	0.2 - 2.5	64	64	97.0	11	ADE4M503NPN	ADE4N1503NPN
ADE4	63	M63	2"	N200	2	35.0 - 48.0	42.0 - 56.0	0.2 - 2.5	72	72	102.0	12	ADE4M632NPN	ADE4N2002NPN
ADE4	63	M63	2"	N200	3	42.0 - 53.0	50.0 - 65.0	0.2 - 2.5	85	85	117.0	13	ADE4M633NPN	ADE4N2003NPN
ADE4	75	M75	2 1/2"	N250	2	42.0 - 56.0	50.0 - 65.0	0.2 - 2.5	85	85	117.0	13	ADE4M752NPN	ADE4N2502NPN
ADE4	75	M75	2 1/2"	N250	3	50.0 - 62.5	58.0 - 74.0	0.2 - 2.5	95	95	124.0	14	ADE4M753NPN	ADE4N2503NPN
ADE4	90	M90	3"	N300	1	58.0 - 74.0	66.0 - 83.0	0.2 - 3.2	110	110	133.0	15	ADE4M901NPN	ADE4N3001NPN
ADE4	90	M90	3"	N300	2	66.0 - 78.0	75.0 - 93.0	0.2 - 3.2	120	120	140.0	16	ADE4M902NPN	ADE4N3002NPN
ADE4	-	-	3 1/2"	N350	2	66.0 - 82.0	85.0 - 104.0	0.2 - 3.5	135	135	150.0	16/17	-	ADE4N3502NPN
ADE4	90	M90	-	-	3	66.0 - 83.0	85.0 - 104.0	0.2 - 3.5	135	135	150.0	16/17	ADE4M903NPN	-
ADE4	-	-	3 1/2"	N350	3	75.0 - 88.0	85.0 - 104.0	0.2 - 3.5	135	135	150.0	17	-	ADE4N3503NPN
ADE4	110	M110	4"	N400	3	75.0 - 93.0	85.0 - 104.0	0.2 - 3.5	135	135	150.0	17	ADE4M1103NPN	ADE4N4003NPN

* Not UL certified. Above catalog numbers are for nickel-plated brass; refer to order code diagram for other options.

All dimensions in mm.

ADE-5F - for armoured cable

Hazardous area cable glands



Suitable for the following cable types:

- Steel wire armoured cable (SWA)
- Steel wire braided cable (SWB)
- Steel tape armoured cable (STA)
- Braided marine shipboard cable; Type P cable
- Lead sheathed cable (with addition of earthing washer)

With inspectable clamping for wire or braid

Double seal provides 100% of cable clamping, including braided cables.

Certifications and compliances

• ATEX No. INERIS 12ATEX0032X

Zones 1 and 2, Groups I, IIA, IIB and IIC
Zones 21 and 22, Groups IIIA, IIIB and IIIC

⚡ II2GD / Ex db IIC / Ex eb IIC / Ex tb IIIC

⚡ II3G Ex nRc IIC

⚡ IM2 / Ex db I / Ex eb I ; for mining applications

Brass or bronze size 8 to 17; NPT 3/4" to 4", ISO 25 to 110

Stainless steel size 4 to 17; NPT 3/8" to 4", ISO 16 to 110

• IECEx No. IECEx INE 12.0025X

Zones 1 and 2, Groups I, IIA, IIB and IIC

Zones 21 and 22, Groups IIIA, IIIB and IIIC

Ex db IIC / Ex eb IIC / Ex nRc IIC / Ex tb IIIC

Ex db I / Ex eb I ; for mining applications

Brass or bronze size 8 to 17; NPT 3/4" to 4", ISO 25 to 110

Stainless steel size 4 to 17; NPT 3/8" to 4", ISO 16 to 110

• UL: 3DJN E310130 Class I Zone 2*, AEx e II, Ex e II

⚡ ADE size 4 to 17, NPT 1/2" to 4" or ISO 20 to 110 with armoured cable
ITC, MV, PLTC, TC-ER, TC-ER-HL, TC

• UL: 3LRC E314047 Class I Zone 2*, AEx e II, Ex e II

⚡ ADE size 4 to 17, NPT 1/2" to 4" or ISO 20 to 110 with armoured marine cable

* Can be used in Div.2 provided that the enclosure contains no components that produce arcs or sparks.



Other certificates:

CEPEL 05.0559X

CCoE P360379-1

KOSHA 2015-BO-0483 to 0490

NANIO TC-RU C-FR.ГБ05.В.00858

NEPSI GYJ13.1082X

SABS MS/15-0314X

Shipping applications:

ABS 14-HS1274083-PDA

BV 40910/A0 BV

DNV TAE000010X

Lloyds 11/00072

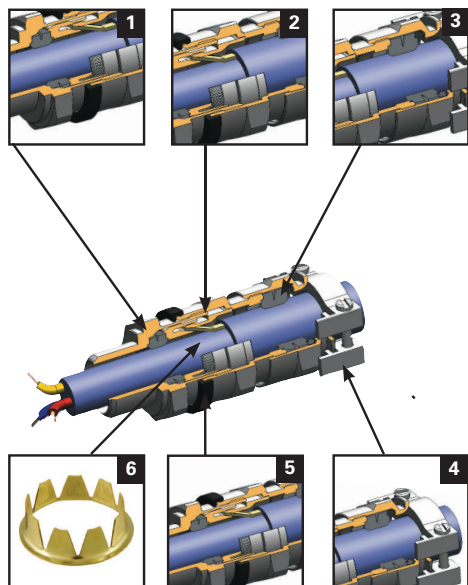
DTS-01:1991

Technical specification

- Nickel-plated brass for superior corrosion resistance. 316L stainless steel, bronze and aluminum options available. It is recommended that a suitable lubricant is used on all threads of stainless steel and aluminum versions.
- Temperature range: -60 °C to +140 °C
- IP66 / IP68 according to the method of attachment and the condition of the equipment area, see page 2.5

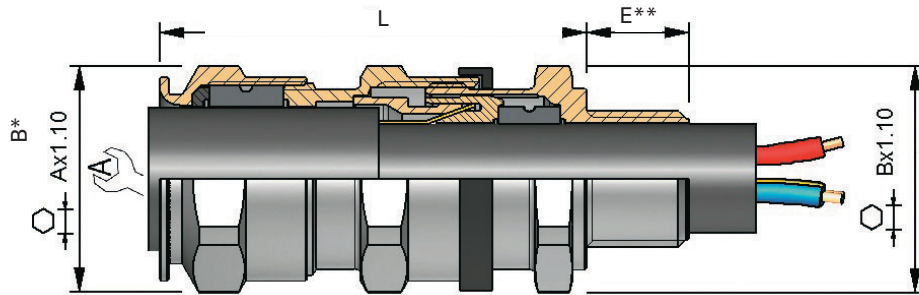
Features and benefits

- 1: Specifically formulated elastomer for flame path sealing on inner sheath of cable
- 2: Anti-rotation feature providing simplified inspectability of armour clamping and grounding system
- 3: Specifically formulated elastomer for IP sealing on outer sheath of cable
- 4: Additional external cable clamping for strain relief (optional)
- 5: Additional deluge seal available for ADE-5F gland sizes No.12 to No.17
- 6: Suitable for lead sheath cable with installation of simple washer (optional)



ADE-5F - for armoured cable

Hazardous area cable glands



* For 'across corners' dimensions, multiply 'across flats' dimensions by 1.1

** For 'E' see thread dimension page 5.18

SERIES	THREAD SIZE	CABLE SEALING RANGE	MATERIAL	OPTION
ADE5	M25	3	NPN	

- 0 = XS
- 1 = S
- 2 = M
- 3 = L

CODES

- K1 Accessories kit 1
- K2 Accessories kit 2
- K3 Accessories kit 3
- BLANK No option

KIT OPTIONS

- K1** Kit 1 contents:
 - Locknut
 - Green composite washer
- K2** Kit 2 contents:
 - Locknut
 - Green composite washer
 - Earth tag
 - Shroud
- K3** Kit 3 contents:
 - Locknut
 - Green composite washer
 - Earth tag
 - Serrated washer

- NPN Nickel-plated brass
- SSN Stainless steel
- BZN Bronze
- ALN Aluminum (not Group I)

When the "DTS" prefix is specified before the "K" of the kit option, a deluge ring will be included. The deluge rings are available for sizes 12-17 only. (Ex: ADE5N2003NPNDTSK1)

Ordering codes

SERIES	THREAD SIZE (ISO)	THREAD SIZE CODE (ISO)	THREAD SIZE (NPT)(NPT)	THREAD SIZE CODE (NPT)	CABLE SEALING RANGE	CABLE SEALING RANGE	INNER SHEATH MIN - MAX	OUTER SHEATH MIN - MAX	ARMOUR MIN - MAX	A	B	L	ADE GLAND SIZE	CATALOG NUMBER (ISO)	CATALOG NUMBER (NPT)
ADE5	12*	M12	1/4**	N025	3	4.5 - 8.0	7.0 - 12.0	0.2 - 0.9	19	19	55.0	5	ADE5M123NPN	ADE5N0253NPN	
ADE5	16*	M16	3/8**	N038	2	4.5 - 8.0	7.0 - 12.0	0.2 - 0.9	19	19	55.0	5	ADE5M162NPN	ADE5N0382NPN	
ADE5	16*	M16	3/8**	N038	3	7.0 - 12.0	10.0 - 16.0	0.2 - 1.2	24	24	57.0	6	ADE5M163NPN	ADE5N0383NPN	
ADE5	20	M20	1/2"	N050	1	4.5 - 8.0	7.0 - 12.0	0.2 - 0.9	19	24	55.0	5	ADE5M201NPN	ADE5N0501NPN	
ADE5	20	M20	1/2"	N050	2	7.0 - 12.0	10.0 - 16.0	0.2 - 1.2	24	24	57.0	6	ADE5M202NPN	ADE5N0502NPN	
ADE5	20	M20	1/2"	N050	3	10.0 - 15.5	13.5 - 21.0	0.2 - 1.2	30	30	64.0	7	ADE5M203NPN	ADE5N0503NPN	
ADE5	25	M25	3/4"	N075	1	7.0 - 12.0	10.0 - 16.0	0.2 - 1.2	24	30	57.0	6	ADE5M251NPN	ADE5N0751NPN	
ADE5	25	M25	3/4"	N075	2	10.0 - 15.5	13.5 - 21.0	0.2 - 1.2	30	30	64.0	7	ADE5M252NPN	ADE5N0752NPN	
ADE5	25	M25	3/4"	N075	3	13.5 - 20.5	18.0 - 27.5	0.2 - 1.6	41	41	75.0	8	ADE5M253NPN	ADE5N0753NPN	
ADE5	32	M32	1"	N100	2	13.5 - 20.5	18.0 - 27.5	0.2 - 1.6	41	41	75.0	8	ADE5M322NPN	ADE5N1002NPN	
ADE5	32	M32	1"	N100	3	18.0 - 26.0	23.0 - 34.0	0.2 - 1.6	48	48	83.0	9	ADE5M323NPN	ADE5N1003NPN	
ADE5	40	M40	1 1/4"	N125	2	18.0 - 27.5	23.0 - 34.0	0.2 - 1.6	48	48	83.0	9	ADE5M402NPN	ADE5N1252NPN	
ADE5	40	M40	1 1/4"	N125	3	23.0 - 34.0	29.0 - 41.0	0.2 - 2.0	55	55	90.0	10	ADE5M403NPN	ADE5N1253NPN	
ADE5	50	M50	1 1/2"	N150	2	23.0 - 34.0	29.0 - 41.0	0.2 - 2.0	55	55	90.0	10	ADE5M502NPN	ADE5N1502NPN	
ADE5	50	M50	1 1/2"	N150	3	29.0 - 41.0	35.0 - 48.0	0.2 - 2.5	64	64	99.0	11	ADE5M503NPN	ADE5N1503NPN	
ADE5	63	M63	2"	N200	2	35.0 - 48.0	42.0 - 56.0	0.2 - 2.5	72	72	108.0	12	ADE5M632NPN	ADE5N2002NPN	
ADE5	63	M63	2"	N200	3	42.0 - 53.0	50.0 - 65.0	0.2 - 2.5	85	85	120.0	13	ADE5M633NPN	ADE5N2003NPN	
ADE5	75	M75	2 1/2"	N250	2	42.0 - 56.0	50.0 - 65.0	0.2 - 2.5	85	85	120.0	13	ADE5M752NPN	ADE5N2502NPN	
ADE5	75	M75	2 1/2"	N250	3	50.0 - 62.5	58.0 - 74.0	0.2 - 2.5	95	95	128.0	14	ADE5M753NPN	ADE5N2503NPN	
ADE5	90	M90	3"	N300	2	58.0 - 74.0	66.0 - 83.0	0.2 - 3.1	110	110	150.0	15	ADE5M902NPN	ADE5N3002NPN	
ADE5	90	M90	3"	N300	3	66.0 - 78.0	75.0 - 93.0	0.2 - 3.1	120	120	160.0	16	ADE5M903NPN	ADE5N3003NPN	
ADE5	110	M110	4"	N400	3	75.0 - 93.0	85.0 - 104.0	0.2 - 3.5	135	135	172.0	17	ADE5M1103NPN	ADE5N4003NPN	

* Not UL certified. Above catalog numbers are for nickel-plated brass; refer to order code diagram for other options.

ADE-6F - for armoured cable

Hazardous area cable glands



Suitable for the following cable types:

- Steel wire armoured cable (SWA)
- Steel wire braided cable (SWB)
- Steel tape armoured cable (STA)
- Braided marine shipboard cable; Type P cable

With inspectable clamping for wire or braid.

Ensures 100% clamping of the armour of armoured cables. With braided cables the user must provide additional clamping, we recommend using the certified ADE clamping module (page 2.29).

Certifications and compliances

• ATEX No. INERIS 12ATEX0032X

Zones 1 and 2, Groups IIA, IIB and IIC
 Zones 21 and 22, Groups IIIA, IIIB and IIIC
 Ⓢ II2GD / Ex db IIC / Ex eb IIC / Ex tb IIIC
 Ⓢ II3G Ex nRc IIC

• IECEx No. IECEx INE 12.0025X

Zones 1 and 2, Groups IIA, IIB and IIC
 Zones 21 and 22, Groups IIIA, IIIB and IIIC
 Ex db IIC / Ex eb IIC / Ex nRc IIC / Ex tb IIIC

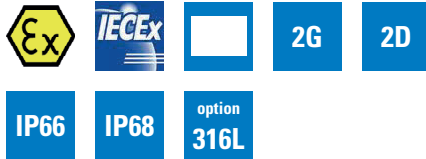
• UL: 3DJN E310130 Class I Zone 2*, AEx e II, Ex e II

Ⓢ ADE size 4 to 17, NPT 1/2" to 4" or ISO 20 to 110 with armoured cable
 ITC, MV, PLTC, TC-ER, TC-ER-HL, TC

• UL: 3LRC E314047 Class I Zone 2*, AEx e II, Ex e II

Ⓢ ADE size 4 to 17, NPT 1/2" to 4" or ISO 20 to 110 with armoured marine cable

* Can be used in Div.2 provided that the enclosure contains no components that produce arcs or sparks.



Other certificates:

CEPEL 05.0559X
 CCoE P360379-1
 KOSHA 2015-BO-0483 to 0490
 NANIO TC-RU C-FR.ГБ05.B.00858
 NEPSI GYJ13.1082X
 SABS MS/15-0314X

Shipping applications:

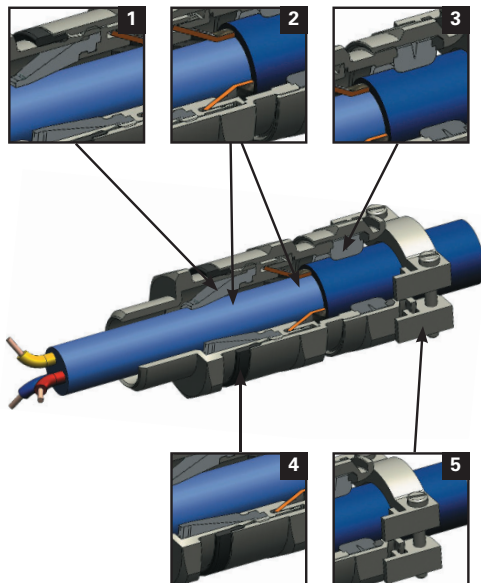
ABS 14-HS1274083-PDA
 BV 40910/A0 BV
 DNV TAE000010X
 Lloyds 11/00072
 DTS-01:1991

Technical specification

- Nickel-plated brass for superior corrosion resistance. 316L stainless steel, bronze and aluminum options available. It is recommended that a suitable lubricant is used on all threads of stainless steel and aluminum versions
- Temperature range: -60 °C to +80 °C
- IP66 / IP68 according to the method of attachment and the condition of the equipment area, see page 2.5
- Equipped with 'deluge' seal

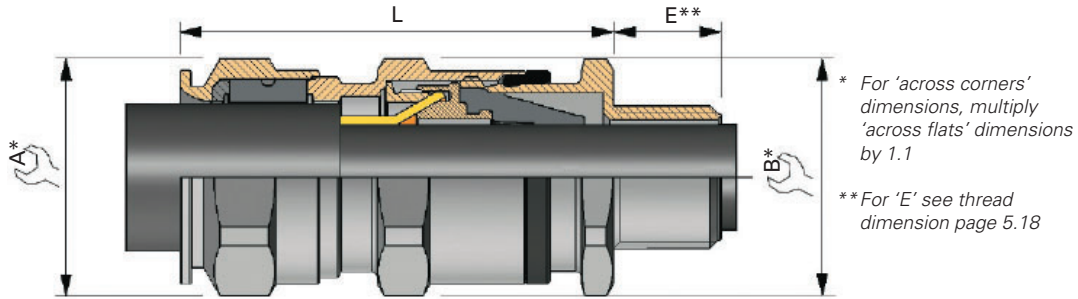
Features and benefits

- 1: Specifically formulated diaphragm seal offers cold flow protection when required and sealing on cable inner sheath
- 2: Universal clamping design for earthing and bonding of armour shield. Provides mechanical strength and is suitable for all armour shield types, with no requirement to reverse components that may introduce risk of incorrect installation. Fully inspectable
- 3: Specifically formulated elastomer for IP sealing on outer sheath of cable
- 4: Deluge performance to avoid water ingress through the thread
- 5: Additional external cable clamping for strain relief (optional)



ADE-6F - for armoured cable

Hazardous area cable glands



SERIES	THREAD SIZE	CABLE SEALING RANGE	MATERIAL	OPTION
ADE6	M25	3	NPN	

0 = XS
1 = S
2 = M
3 = L

CODES	
K1	Accessories kit 1
K2	Accessories kit 2
K3	Accessories kit 3
BLANK	No option

NPS	Nickel-plated brass
SSS	Stainless steel
BZS	Bronze
ALS	Aluminum (not Group I)

KIT OPTIONS	
K1	Kit 1 contents:
	• Locknut
	• Green composite washer
K2	Kit 2 contents:
	• Locknut
	• Green composite washer
	• Earth tag
K3	Kit 3 contents:
	• Locknut
	• Green composite washer
	• Earth tag
	• Serrated washer

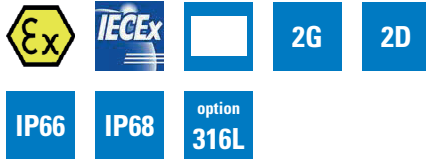
Ordering codes

SERIES	THREAD SIZE (ISO)	THREAD SIZE CODE (ISO)	THREAD SIZE (NPT)	THREAD SIZE CODE (NPT)	CABLE SEALING RANGE	CABLE SEALING RANGE		ARMOUR MIN - MAX	A	B	L	ADE GLAND SIZE	CATALOG NUMBER (ISO)	CATALOG NUMBER (NPT)
						INNER SHEATH MIN - MAX	OUTER SHEATH MIN - MAX							
ADE6	16*	M16	3/8**	N038	3	3.5 - 7.0	7.0 - 12.0	0.2 - 0.9	19	19	47.5	5	ADE6M163NPS	ADE6N0383NPS
ADE6	20	M20	1/2"	N050	1	3.5 - 7.0	7.0 - 12.0	0.2 - 0.9	19	19	47.5	5	ADE6M201NPS	ADE6N0501NPS
ADE6	20	M20	1/2"	N050	2	6.5 - 11.0	10.0 - 16.0	0.2 - 1.3	24	24	54.5	6	ADE6M202NPS	ADE6N0502NPS
ADE6	20	M20	1/2"	N050	3	9.0 - 14.5	13.5 - 21.0	0.2 - 1.3	30	30	60.5	7	ADE6M203NPS	ADE6N0503NPS
ADE6	25	M25	3/4"	N075	2	9.0 - 14.5	13.5 - 21.0	0.2 - 1.3	30	30	60.5	7	ADE6M252NPS	ADE6N0752NPS
ADE6	25	M25	3/4"	N075	3	12.0 - 19.5	18.0 - 27.5	0.2 - 1.6	41	41	74.0	8	ADE6M253NPS	ADE6N0753NPS
ADE6	32	M32	1"	N100	2	12.0 - 19.5	18.0 - 27.5	0.2 - 1.6	41	41	74.0	8	ADE6M322NPS	ADE6N1002NPS
ADE6	32	M32	1"	N100	3	17.5 - 26.0	23.0 - 34.0	0.2 - 1.6	48	48	83.0	9	ADE6M323NPS	ADE6N1003NPS
ADE6	40	M40	1 1/4"	N125	2	17.5 - 26.0	23.0 - 34.0	0.2 - 1.6	48	48	83.0	9	ADE6M402NPS	ADE6N1252NPS
ADE6	40	M40	1 1/4"	N125	3	23.0 - 33.0	29.0 - 41.0	0.2 - 2.0	55	55	92.0	10	ADE6M403NPS	ADE6N1253NPS
ADE6	50	M50	1 1/2"	N150	2	23.0 - 33.0	29.0 - 41.0	0.2 - 2.0	55	55	92.0	10	ADE6M502NPS	ADE6N1502NPS
ADE6	50	M50	2"	N200	3	28.5 - 41.0	35.0 - 48.0	0.2 - 2.5	64	64	104.0	11	ADE6M503NPS	ADE6N2003NPS

* Not UL certified. Above catalog numbers are for nickel-plated brass; refer to order code diagram for other options.

ADE-6FC - for armoured cable

Hazardous area cable glands



Suitable for the following cable types:

- Steel wire armoured cable (SWA)
- Steel wire braided cable (SWB)
- Steel tape armoured cable (STA)
- Braided marine shipboard cable; Type P cable

With inspectable clamping for wire or braid

Sealing ring and TSC compound provides 100% of cable clamping.

Certifications and compliances

• ATEX No. INERIS 12ATEX0032X

Zones 1 and 2, Groups I, IIA, IIB and IIC
Zones 21 and 22, Groups IIIA, IIIB and IIIC

⚡ II2GD / Ex db IIC / Ex eb IIC / Ex tb IIIC

⚡ II3G Ex nRc IIC

⚡ IM2 / Ex db I / Ex eb I ; for mining applications

Brass, stainless steel or bronze size 11 to 17; NPT 2" to 4", ISO 50 to 110

• IECEx No. IECEx INE 12.0025X

Zones 1 and 2, Groups I, IIA, IIB and IIC
Zones 21 and 22, Groups IIIA, IIIB and IIIC

Ex db IIC / Ex eb IIC / Ex nRc IIC / Ex tb IIIC

Ex db I / Ex eb I ; for mining applications

Brass, stainless steel or bronze size 11 to 17; NPT 2" to 4", ISO 50 to 110

• UL: 3DJN E310130 Class I Zone 2, AEx de II, Ex de II

⚡ ADE size 5 to 17, NPT 1/2" to 4" or ISO 20 to 110 with armoured cable ITC, MV, PLTC, TC-ER, TC-ER-HL, TC and compound TSC

• UL: 3DJN E310130 Class I Division 1, Groups A, B, C and D

⚡ ADE size 5 to 9, NPT 1/2" to 1 1/4" or ISO 20 to 40 with armoured cable TC-ER-HL and compound TSC

⚡ ADE size 5 to 17, NPT 1/2" to 4" or ISO 20 to 110 with armoured cable ITC-HL and compound TSC

• UL: 3DJN E310130 Class I Division 2, Groups A, B, C and D

⚡ ADE size 5 to 17, NPT 1/2" to 4" or ISO 20 to 110 with armoured cable PLTC, PLTC-ER, ITC, ITC-ER, ITC-HL, TC, TC-ER, TC-ER-HL, MV and compound TSC

• UL: 4EC5 E324850 Class I Division 1, Groups A, B, C and D

⚡ ADE size 5 to 17, NPT 1/2" to 4" or ISO 20 to 110 with armoured marine cable and compound TSC

* Can be used in Div.2 provided that the enclosure contains no components that produce arcs or sparks.

Other certificates:

CEPEL 05.0559X

CCoE P360379-1

KOSHA 2015-BO-0491 to 0494

NANIO TC-RU C-FR.ГБ05.B.00858

NEPSI GYJ13.1082X

SABS MS/15-0314X

Shipping applications:

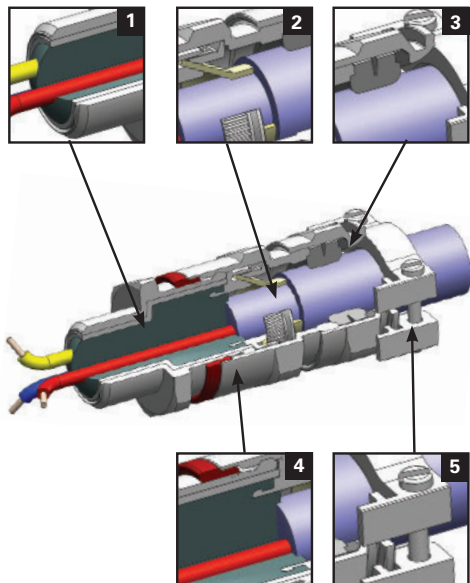
ABS 14-HS1274083-PDA

BV 40910/A0 BV

DNV TAE000010X

Lloyds 11/00072

DTS-01:1991



Technical specification

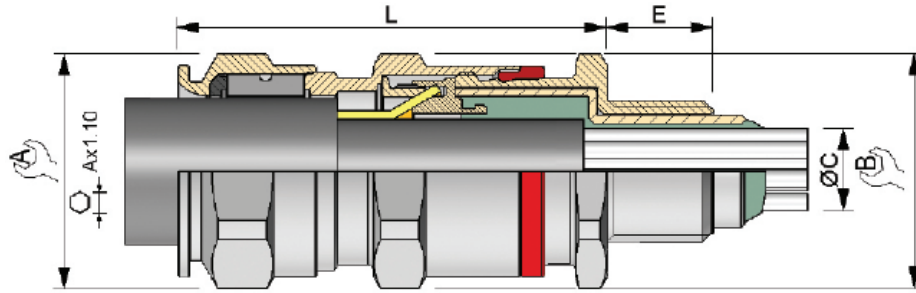
- Nickel-plated brass for superior corrosion resistance. 316L stainless steel, bronze and aluminum options available. It is recommended that a suitable lubricant is used on all threads of stainless steel and aluminum versions
- Temperature range:
-60 °C to +80 °C
- IP66 / IP68 according to the method of attachment and the condition of the equipment area, see page 2.5
- Equipped with 'deluge' seal

Features and benefits

- 1: Sealing of cable conductors with compound barrier seal
- 2: Universal clamping design for earthing and bonding of armour shield. Provides mechanical strength and is suitable for all armour shield types, with no requirement to reverse components that may introduce risk of incorrect installation. Fully inspectable
- 3: Specifically formulated elastomer for IP sealing on outer sheath of cable
- 4: Deluge performance to avoid water ingress through the thread
- 5: Additional external cable clamping for strain relief (optional)

ADE-6FC - for armoured cable

Hazardous area cable glands



* For 'across corners' dimensions, multiply 'across flats' dimensions by 1.1
 ** For 'E' see thread dimension page 5.18

SERIES	THREAD SIZE	CABLE SEALING RANGE	MATERIAL	BARRIER	OPTION	CODES		KIT OPTIONS	
ADE6C	M25	3	NP	SCN		K1	Accessories kit 1	K1	Kit 1 contents:
						K2	Accessories kit 2		• Locknut
						K3	Accessories kit 3		• Green composite washer
						BLANK	No option		Kit 2 contents:
								K2	• Locknut
									• Green composite washer
									• Earth tag
								K3	• Shroud
						SCN	Solid compound		Kit 3 contents:
						NP	Nickel-plated brass		• Locknut
						SS	Stainless steel	• Green composite washer	
						BZ	Bronze	• Earth tag	
								• Serrated washer	

0 = XS
 1 = S
 2 = M
 3 = L

Ordering codes

SERIES	THREAD SIZE (ISO)	THREAD SIZE CODE (ISO)	THREAD SIZE (NPT)	THREAD SIZE CODE (NPT)	CABLE SEALING RANGE	OUTER SHEATH MIN - MAX	CONDUCTORS			MAX ARMOUR THICKNESS A	B	L	ADE GLAND SIZE	CATALOG NUMBER (ISO)	CATALOG NUMBER (NPT)	
							C=Ø MAX OVER CORES	Ø MAX INNER SHEATH	MAX No. CORES							
ADE6C	16*	M16	3/8**	N038	3	6.0 - 12.0	6.5	8.0	6	0.9	19	19	47.5	5	ADE6CM163NPSCN	ADE6CN038NPSCN
ADE6C	20	M20	1/2"	N050	1	6.0 - 12.0	6.5	8.0	6	0.9	19	24	47.5	5	ADE6CM201NPSCN	ADE6CN0501NPSCN
ADE6C	20	M20	1/2"	N050	2	8.5 - 16.0	9.5	12.0	6	1.2	24	24	54.5	6	ADE6CM202NPSCN	ADE6CN0502NPSCN
ADE6C	20	M20	1/2"	N050	3	12.0 - 21.0	12.0	16.0	10	1.2	30	30	60.5	7	ADE6CM203NPSCN	ADE6CN0503NPSCN
ADE6C	25	M25	3/4"	N075	2	12.0 - 21.0	12.0	16.0	10	1.2	30	30	60.5	7	ADE6CM252NPSCN	ADE6CN0752NPSCN
ADE6C	25	M25	3/4"	N075	3	16.0 - 27.5	17.0	21.0	21	1.6	41	41	74.0	8	ADE6CM253NPSCN	ADE6CN0753NPSCN
ADE6C	32	M32	1"	N100	2	16.0 - 27.5	17.0	21.0	21	1.6	41	41	74.0	8	ADE6CM322NPSCN	ADE6CN1002NPSCN
ADE6C	32	M32	1"	N100	3	21.0 - 34.0	23.0	27.5	42	1.6	48	48	83.0	9	ADE6CM323NPSCN	ADE6CN1003NPSCN
ADE6C	40	M40	1 1/4"	N125	2	21.0 - 34.0	23.0	27.5	42	1.6	48	48	83.0	9	ADE6CM402NPSCN	ADE6CN1252NPSCN
ADE6C	40	M40	1 1/4"	N125	3	27.0 - 41.0	29.0	34.0	60	2.0	55	55	92.0	10	ADE6CM403NPSCN	ADE6CN1253NPSCN
ADE6C	50	M50	1 1/2"	N150	2	27.0 - 41.0	29.0	34.0	60	2.0	55	55	92.0	10	ADE6CM502NPSCN	ADE6CN1502NPSCN
ADE6C	50	M50	2"	N200	1	33.0 - 48.0	36.5	41.0	80	2.5	64	64	104.0	11	ADE6CM501NPSCN	ADE6CN2001NPSCN
ADE6C	63	M63	2"	N200	2	40.0 - 56.0	43.0	48.0	100	2.5	72	72	108.0	12	ADE6CM632NPSCN	ADE6CN2002NPSCN
ADE6C	63	M63	2"	N200	3	46.0 - 65.0	50.0	56.0	100	2.5	85	85	118.0	13	ADE6CM633NPSCN	ADE6CN2003NPSCN
ADE6C	75	M75	2 1/2"	N250	2	46.0 - 65.0	50.0	56.0	100	2.5	85	85	118.0	13	ADE6CM752NPSCN	ADE6CN2502NPSCN
ADE6C	75	M75	2 1/2"	N250	3	54.0 - 74.0	59.0	65.0	120	2.5	95	95	124.0	14	ADE6CM753NPSCN	ADE6CN2503NPSCN
ADE6C	-	-	3"	N300	1	54.0 - 74.0	59.0	65.0	120	2.5	95	95	124.0	14	-	ADE6CN3001NPSCN
ADE6C	90	M90	3"	N300	2	63.0 - 83.0	66.0	73.0	140	3.1	110	110	133.0	15	ADE6CM902NPSCN	ADE6CN3002NPSCN
ADE6C	-	-	3 1/2"	N350	2	63.0 - 83.0	66.0	73.0	140	3.1	110	110	133.0	15	-	ADE6CN3502NPSCN
ADE6C	90	M90	3"	N300	3	72.0 - 93.0	75.0	82.0	140	3.1	120	120	137.0	16	ADE6CM903NPSCN	ADE6CN3003NPSCN
ADE6C	-	-	3 1/2"	N350	3	72.0 - 93.0	75.0	82.0	140	3.1	120	120	137.0	16	-	ADE6CN3503NPSCN
ADE6C	110	M110	4"	N400	3	85.0 - 104.0	85.0	92.0	200	3.5	135	135	142.0	17	ADE6CM1103NPSCN	ADE6CN4003NPSCN

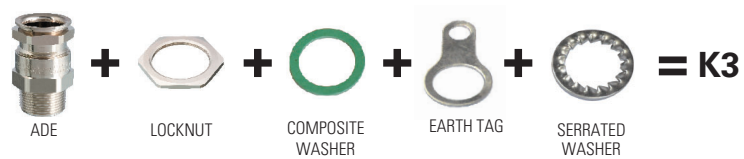
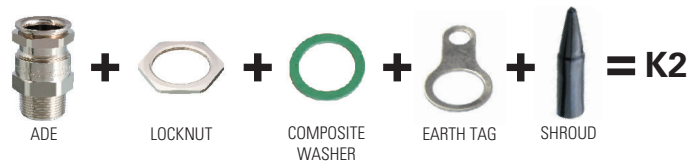
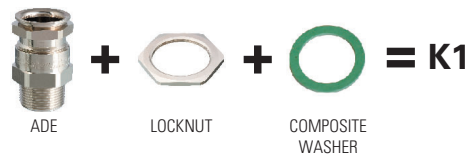
* Not UL certified. Above catalog numbers are for nickel-plated brass; refer to order code diagram for other options.

All dimensions in mm.

ADE cable gland kits

Hazardous area cable glands

ADE - CAP standard / DTS Kits

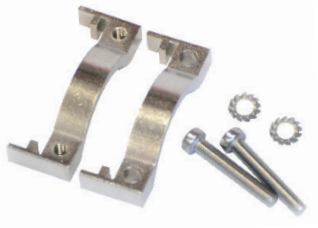


K1, K2 and K3 kits are available for all of the ADE range.

ADE-5F: Deluge seal kits (DTSK1, DTSK2, DTSK3) are suitable for ADE-5F glands sizes No.12 - No.17 only.

To order kits including deluge seal, add "DTS" to order code before the kit number; e.g. **ADE5M752NPNDTSK2**

ADE external clamping module - available with all ADE range



CABLE RANGE	SIZE	FOR HEXAGON	WIDTH	THICKNESS	CATALOG NUMBER
2.8 - 5.5	3	15	18.0	5.0	CAP810334
4.0 - 8.5	4	17	20.0	5.0	CAP810444
6.0 - 11.0	5	19	22.0	5.0	CAP810534
8.5 - 16.0	6	24	27.5	6.0	CAP810634
12.0 - 21.0	7	30	33.5	8.0	CAP810734
16.0 - 27.5	8	41	45.0	8.0	CAP810834
21.0 - 34.0	9	48	52.0	9.5	CAP810934
27.0 - 41.0	10	55	59.0	9.5	CAP811034
33.0 - 48.0	11	64	69.0	12.0	CAP811134
40.0 - 56.0	12	72	78.0	12.0	CAP811234
47.0 - 65.0	13	85	92.0	16.0	CAP811334
54.0 - 74.0	14	95	103.0	16.0	CAP811434
63.0 - 83.0	15	110	118.0	18.0	CAP811534
72.0 - 93.0	16	120	128.0	18.0	CAP811634

ADE clamping module – Material: nickel-plated brass and stainless steel washer and screws.

ADE-4F and 5F lead sheath washer



Ø OUTER LEAD SHEATH			
GLAND SIZE	MIN	MAX	CATALOG NUMBER
5	4.5	7.5	CAP560530
6	7.0	11.0	CAP560630
7	10.0	15.0	CAP560730
8	13.5	20.0	CAP560830
9	18.0	26.5	CAP560930
10	23.0	32.5	CAP561030
11	29.0	39.5	CAP561130
12	35.0	46.5	CAP561230
13	42.0	54.5	CAP561330
14	50.0	61.0	CAP561430
15	58.0	72.5	CAP561530
16	66.0	81.5	CAP561630

ADE-4F/5F lead sheath washer – material: natural brass

ADE-5F deluge seal



SIZE	CATALOG NUMBER
12	CAP850012
13	CAP850013
14	CAP850014
15	CAP850015
16	CAP850016
17	CAP850017

HTL4 (high temperature thread lubricant)

FORMAT	CATALOG NUMBER
1 tube 120 ml	HTL4



HTL is a high temperature, anti-seize, conductive thread lubricant:

- Effective and stable from -55 °C to +980 °C (-70 °F to +1800 °F)
- Prevents seizure, galling, rust, galvanic action
- Maintains grounding continuity; should not be used on exposed current-carrying parts
- Compatible with all types of material

Solid compound TSC epoxy

FORMAT	ORDER UNIT	CATALOG NUMBER
10 tubes 15 ml (0.5 oz)	1 carton	TSC05
10 tubes 30 ml (1.0 oz)	1 carton	TSC1
5 tubes 120 ml (4.0 oz)	1 carton	TSC4

For use with ADE-1FC & 6FC cable glands



Mixing time: 5 minutes
 Application: by hand
 Full curing time: 24 hours
 Available for installation in any orientation

ADE accessories

Hazardous area cable glands

Green composite washers

THREAD SIZE (ISO)	D	E THICKNESS	ORDER UNIT	CATALOG NUMBER
10	15.0	1.2	20	CAP221045
12	18.0	1.2	20	CAP221245
16	22.0	1.2	20	CAP221645
20	27.0	1.2	20	CAP222045
25	35.0	1.5	20	CAP222545
32	43.0	1.5	10	CAP223245
40	55.0	1.5	10	CAP224045
50	69.0	1.5	1	CAP225045
63	82.0	2.0	1	CAP226345
75	94.0	2.0	1	CAP227545
80	100.0	2.0	1	CAP228045
90	110.0	2.0	1	CAP229045
100	119.0	2.0	1	CAP229945
110	130.0	2.0	1	CAP221145

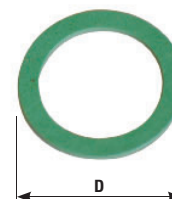
Temperature range: -60 °C to +140 °C.

Dimensions "D" subject to change

THREAD SIZE (NPT)	D	E THICKNESS	ORDER UNIT	CATALOG NUMBER
1/4"	18.0	1.5	20	CAP239014
3/8"	22.0	1.5	20	CAP239038
1/2"	31.0	1.5	20	CAP239012
3/4"	35.0	1.5	20	CAP239034
1"	43.0	1.5	20	CAP239010
1 1/4"	59.0	1.5	20	CAP239114
1 1/2"	69.0	1.5	10	CAP239112
2"	79.0	2.0	10	CAP239020
2 1/2"	94.0	2.0	1	CAP239212
3"	110.0	2.0	1	CAP239300
3 1/2"	119.0	2.0	1	CAP239312
4"	130.0	2.0	1	CAP239414

Temperature range: -60 °C to +140 °C.

Dimensions "D" subject to change



Black neoprene washers

THREAD SIZE (ISO)	D	E THICKNESS	ORDER UNIT	CATALOG NUMBER
10	15.0	1.2	20	CAP221049
12	18.0	1.2	20	CAP221249
16	22.0	1.2	20	CAP221649
20	24.0	1.2	20	CAP222049
25	30.0	1.5	20	CAP222549
32	42.0	1.5	10	CAP223249
40	52.0	1.5	10	CAP224049
50	63.0	1.5	1	CAP225049
63	77.0	2.0	1	CAP226349
75	90.0	2.0	1	CAP227549
80	102.0	2.0	1	CAP228049
90	106.0	2.0	1	CAP229049
100	116.0	2.0	1	CAP229949
110	126.0	2.0	1	CAP221149

Temperature range: -35 °C to +120 °C.

THREAD SIZE (NPT)	D	E THICKNESS	ORDER UNIT	CATALOG NUMBER
1/4"	20.0	1.5	20	CAP229014
3/8"	22.0	1.5	20	CAP229038
1/2"	27.0	1.5	20	CAP229012
3/4"	33.0	1.5	20	CAP229034
1"	41.0	1.5	20	CAP229010
1 1/4"	52.0	1.5	20	CAP229114
1 1/2"	57.0	1.5	10	CAP229112
2"	71.0	2.0	10	CAP229020
2 1/2"	85.0	2.0	1	CAP229212
3"	104.0	2.0	1	CAP229300
3 1/2"	120.0	2.0	1	CAP229312
4"	130.0	2.0	1	CAP229414

Temperature range: -40 °C to +100 °C.



Red neoprene washers

THREAD SIZE (ISO)	D	E THICKNESS	ORDER UNIT	CATALOG NUMBER
10	18.6	1.5	20	CAP221041
12	20.0	1.5	20	CAP221241
16	25.0	1.5	20	CAP221641
20	28.7	1.5	20	CAP222041
25	36.0	1.5	20	CAP222541
32	42.5	1.5	10	CAP223241
40	52.0	1.5	10	CAP224041
50	65.0	1.5	1	CAP225041
63	79.4	1.5	1	CAP226341
75	90.5	1.5	1	CAP227541
80	104.8	1.5	1	CAP228041
90	114.3	1.5	1	CAP229041
100	114.3	1.5	1	CAP229941
110	135.0	1.5	1	CAP221141

Temperature range: -30 °C to +80 °C. NPT versions available. Consult factory.

White neoprene washers

THREAD SIZE (ISO)	D	E THICKNESS	ORDER UNIT	CATALOG NUMBER
12	20.0	1.5	20	CAP221242
16	25.0	1.5	20	CAP221642
20	28.7	1.5	20	CAP222042
25	36.0	1.5	20	CAP222542
32	42.5	1.5	10	CAP223242
40	52.0	1.5	10	CAP224042
50	65.0	1.5	10	CAP224052
63	79.4	1.5	10	CAP226342
75	90.5	1.5	1	CAP227542
80	104.8	1.5	1	CAP228042
90	114.3	1.5	1	CAP229042
100	114.3	1.5	1	CAP229942
110	135.0	1.5	1	CAP221142

Temperature range: -30 °C to +75 °C. NPT versions available. Consult factory.

ADE accessories

Hazardous area cable glands

Locknut - nickel-plated brass and stainless steel 316L

THREAD SIZE (ISO)	ORDER UNIT	NICKEL-PLATED BRASS CATALOG NUMBER	ORDER UNIT	STAINLESS STEEL 316L CATALOG NUMBER	THREAD SIZE (NPT)	ORDER UNIT	NICKEL-PLATED BRASS CATALOG NUMBER	ORDER UNIT	STAINLESS STEEL 316L CATALOG NUMBER
10	20	CAP221094	1	CAP221099	1/4"	20	CAP280104	1	CAP280109
12	20	CAP221294	1	CAP221299	3/8"	20	CAP280114	1	CAP280119
16	20	CAP221694	1	CAP221699	1/2"	20	CAP280124	1	CAP280129
20	20	CAP222094	1	CAP222099	3/4"	20	CAP280134	1	CAP280139
25	20	CAP222594	1	CAP222599	1"	20	CAP280144	1	CAP280149
32	10	CAP223294	1	CAP223299	1 1/4"	20	CAP280154	1	CAP280159
40	10	CAP224094	1	CAP224099	1 1/2"	20	CAP280164	1	CAP280169
50	1	CAP225094	1	CAP225099	2"	1	CAP280174	1	CAP280179
63	1	CAP226394	1	CAP226399	2 1/2"	1	CAP280184	1	CAP280189
75	1	CAP227594	1	CAP227599	3"	1	CAP280194	1	CAP280199
80	1	CAP228094	1	CAP228099	3 1/2"	1	CAP280204	1	CAP280209
90	1	CAP229094	1	CAP229099	4"	1	CAP280214	1	CAP280219
100	1	CAP229994	1	CAP229999					
110	1	CAP221104	1	CAP221109					



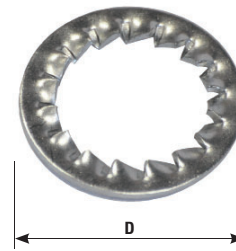
Earth tag - nickel-plated brass and stainless steel 316L (order unit = 1 pc)

THREAD SIZE (ISO)	A	B	C	D	NICKEL-PLATED BRASS CATALOG NUMBER	STAINLESS STEEL 316L CATALOG NUMBER	THREAD SIZE (NPT)	A	B	C	D	NICKEL-PLATED BRASS CATALOG NUMBER	STAINLESS STEEL 316L CATALOG NUMBER
10	48.8	30.0	6.75	24.5	CAP567014	CAP567019	1/4"	48.8	30.0	6.75	24.5	CAP567034	CAP567039
12	51.0	32.0	6.75	24.5	CAP567024	CAP567029	3/8"	50.5	30.0	6.75	25.4	CAP567044	CAP567049
16	48.5	30.0	6.5	24.5	CAP567034	CAP567039	1/2"	53.8	33.0	7.0	28.6	CAP567064	CAP567069
20	53.8	33.0	7.0	28.6	CAP567054	CAP567059	3/4"	61.5	36.0	10.5	34.0	CAP567084	CAP567089
25	61.5	36.0	10.5	34.0	CAP567074	CAP567079	1"	73.0	41.0	12.2	42.0	CAP567104	CAP567109
32	73.0	41.0	12.2	42.0	CAP567094	CAP567099	1 1/4"	86.5	44.5	13.5	54.0	CAP567134	CAP567139
40	86.5	44.5	13.5	54.0	CAP567124	CAP567129	1 1/2"	112.0	58.0	13.5	67.0	CAP567154	CAP567159
50	111.5	58.0	13.5	67.0	CAP567154	CAP567159	2"	126.0	67.0	13.5	77.0	CAP567174	CAP567179
63	125.5	67.0	13.5	77.0	CAP567184	CAP567189	2 1/2"	138.0	73.0	13.5	89.0	CAP567194	CAP567199
75	137.5	73.0	13.5	89.0	CAP567194	CAP567199	3"	161.0	85.0	13.5	114.0	CAP567214	CAP567219
80	156.1	87.5	13.5	97.2	CAP567204	CAP567209	3 1/2"	190.0	103.0	13.5	125.0	CAP567224	CAP567229
90	167.0	93.0	13.5	109.5	CAP567214	CAP567219	4"	210.0	117.8	13.5	140.0	CAP567244	CAP567249
100	190.0	103.0	13.5	125.0	CAP567224	CAP567229							
110	214.0	125.0	13.5	138.0	CAP567234	CAP567239							



Serrated washer - stainless steel

THREAD SIZE (ISO)	D	ORDER UNIT	STAINLESS STEEL CATALOG NUMBER	THREAD SIZE (NPT)	D	ORDER UNIT	STAINLESS STEEL CATALOG NUMBER
12	20.5	1	CAP280019	1/4"	24.0	1	CAP290109
16	25.5	20	CAP280069	3/8"	32.0	1	CAP290119
20	32.5	20	CAP280029	1/2"	38.0	1	CAP290129
25	39.5	20	CAP280259	3/4"	41.0	1	CAP290139
32	49.5	20	CAP280329	1"	49.0	1	CAP290149
40	64.5	1	CAP280409	1 1/4"	58.0	1	CAP290159
50	80.5	1	CAP280509	1 1/2"	70.0	1	CAP290169
63	100.0	1	CAP280639	2"	86.0	1	CAP290179
75	112.0	1	CAP280759	2 1/2"	100.0	1	CAP290189
80	120.0	1	CAP280089	3"	120.0	1	CAP290199
90	123.0	1	CAP280099				
100	140.0	1	CAP281009				
110	150.0	1	CAP281119				



Shroud - PVC

ADE SIZE	DIAMETER A	ORDER UNIT	ALL ADE (Except ADE-1FC)	ADE 1FC
3	16.0	1	CAP506030	
4	18.0	1	CAP506044	CAP506050
5	20.0	10	CAP506050	CAP506060
6	25.0	10	CAP506060	CAP506070
7	31.0	10	CAP506070	CAP506080
8	43.0	10	CAP506080	CAP506090
9	52.0	10	CAP506090	CAP506100
10	59.0	1	CAP506100	CAP506110
11	67.0	1	CAP506110	CAP506120
12	75.0	1	CAP506120	CAP506130
13	90.0	1	CAP506130	CAP506140
14	100.0	1	CAP506140	CAP506150
15	116.0	1	CAP506150	CAP506160
16	127.0	1	CAP506160	CAP506017
17	144.0	1	CAP506017	



All dimensions in mm.

NEWCAP MS-e

Hazardous area cable glands



Suitable for the following cable types:

- Non-armoured cable
- Braided cable (EMC applications)

Provides 25% of cable clamping, an external clamp is required to ensure that pulling and twisting does not affect the terminations.

Certifications and compliances

• ATEX No. INERIS 13ATEX0008X

Zones 1 and 2, Group IIC
Zones 21 and 22, Group IIIC

⊕ II2GD / Ex eb IIC / Ex tb IIIC

⊕ II3G Ex nRc IIC

• IECEx No. IECEx INE 13.0003X

Zones 1 and 2, Group IIC
Zones 21 and 22, Group IIIC

Ex eb IIC / Ex nRc IIC / Ex tb IIIC

Shipping applications:

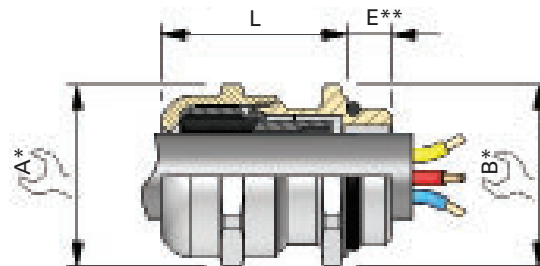
BV: 40910/A0 BV

DTS-01:1991



Technical specification

- Material: nickel-plated brass and stainless steel 316L
(It is recommended that a suitable lubricant is used on all threads of stainless steel versions)
- Ensures the electrical continuity of the braided armour (EMC application)
- Temperature range: -20 °C to +80 °C
- IP66 / IP68 tested 30m/7days on surface Ra 1.6µm max.



* For 'across corners' dimensions, multiply 'across flats' dimensions by 1.1

** For 'E' see thread dimension page 5.18

Ordering codes

THREAD SIZE (ISO)	BRAID THICKNESS	CABLE DIAMETER MIN - MAX	A	B	L	NEWCAP SIZE	NICKEL-PLATED BRASS CATALOG NUMBER	NICKEL-PLATED BRASS ¹⁾ LOCKNUT	STAINLESS STEEL 316L [*] CATALOG NUMBER	STAINLESS STEEL 316L ¹⁾ LOCKNUT
12	0.70	4.0 - 6.5	15	15	18.0	4	CAP192124V1	CAP221294	CAP192129V1	CAP221299
16	0.70	4.0 - 6.5	15	18	18.0	4	CAP192154V1	CAP221694	CAP192159V1	CAP221699
16	0.70	5.5 - 10.0	20	20	24.0	5	CAP192164V1	CAP221694	CAP192169V1	CAP221699
20	0.70	5.5 - 10.0	20	22	24.0	5	CAP192194V1	CAP222094	CAP192199V1	CAP222099
20	0.80	7.5 - 13.0	24	24	27.0	6	CAP192204V1	CAP222094	CAP192209V1	CAP222099
25	0.80	7.5 - 13.0	24	27	27.0	6	CAP192244V1	CAP222594	CAP192249V1	CAP222599
25	0.85	11.5 - 18.0	30	30	28.0	7	CAP192254V1	CAP222594	CAP192259V1	CAP222599
32	0.85	11.5 - 18.0	30	34	28.0	7	CAP192314V1	CAP223294	CAP192319V1	CAP223299
32	0.95	17.5 - 24.5	38	38	30.0	8	CAP192324V1	CAP223294	CAP192329V1	CAP223299
40	0.95	17.5 - 24.5	38	43	30.0	8	CAP192394V1	CAP224094	CAP192399V1	CAP224099
40	1.00	24.0 - 32.0	47	47	33.0	9	CAP192404V1	CAP224094	CAP192409V1	CAP224099
50	1.00	24.0 - 32.0	47	54	33.0	9	CAP192494V1	CAP225094	CAP192499V1	CAP225099
50	1.15	31.0 - 40.5	57	57	37.0	10	CAP192504V1	CAP225094	CAP192509V1	CAP225099
63	1.15	31.0 - 40.5	57	68	37.0	10	CAP192624V1	CAP226394	CAP192629V1	CAP226399
63	1.75	39.0 - 53.0	75	75	48.0	11	CAP192634V1	CAP226394	CAP192639V1	CAP226399

* Stainless steel 316L with long (15 mm) thread

¹⁾ Order unit for locknuts, see page 3.28

All dimensions in mm.



NEWCAP CT-e

Hazardous area cable glands

INTRODUCTION



Suitable for the following cable types:

- Non-armoured cable
- Braided cable (EMC applications)

Provides 25% of cable clamping, an external clamp is required to ensure that pulling and twisting does not affect the terminations.

Certifications and compliances

• ATEX No. INERIS 13ATEX0008X

Zones 1 and 2, Group IIC
Zones 21 and 22, Group IIIC

II2GD / Ex eb IIC / Ex tb IIIC

II3G Ex nRc IIC

• IECEx No. IECEx INE 13.0003X

Zones 1 and 2, Group IIC
Zones 21 and 22, Group IIIC

Ex eb IIC / Ex nRc IIC / Ex tb IIIC

Shipping applications:

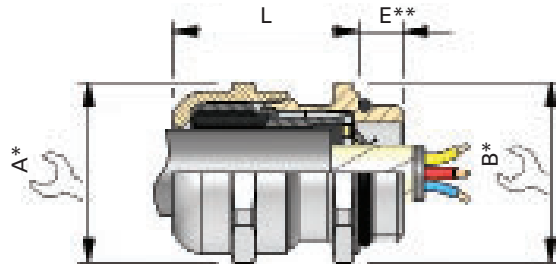
BV: 40910/A0 BV

DTS-01:1991



Technical specification

- Material: nickel-plated brass and stainless steel 316L
(It is recommended that a suitable lubricant is used on all threads of stainless steel versions)
- Ensures the electrical continuity of the braided armour (EMC application) without any interruption of the armour
- Temperature range: -20 °C to +80 °C
- IP66 / IP68 tested 30m/7days on surface Ra 1.6µm max.



* For 'across corners' dimensions, multiply 'across flats' dimensions by 1.1

** For 'E' see thread dimension page 5.18

Ordering codes

THREAD SIZE (ISO)	BRAID THICKNESS	DIAMETER ON SHIELD	CABLE DIAMETER MIN - MAX	A	B	L	NEWCAP SIZE	NICKEL-PLATED BRASS CATALOG NUMBER	NICKEL-PLATED BRASS ¹⁾ LOCKNUT	STAINLESS STEEL 316L* CATALOG NUMBER	STAINLESS STEEL 316L ¹⁾ LOCKNUT
12	0.70	3.0	4.0 - 6.5	15	15	18.0	4	CAP193124V1	CAP221294	CAP193129V1	CAP221299
16	0.70	3.0	4.0 - 6.5	15	18	18.0	4	CAP193154V1	CAP221694	CAP193159V1	CAP221699
16	0.70	4.5	5.5 - 10.0	20	20	24.0	5	CAP193164V1	CAP221694	CAP193169V1	CAP221699
20	0.70	4.5	5.5 - 10.0	20	22	24.0	5	CAP193194V1	CAP222094	CAP193199V1	CAP222099
20	0.80	6.0	7.5 - 13.0	24	24	27.0	6	CAP193204V1	CAP222094	CAP193209V1	CAP222099
25	0.80	6.0	7.5 - 13.0	24	27	27.0	6	CAP193244V1	CAP222594	CAP193249V1	CAP222599
25	0.85	10.0	11.5 - 18.0	30	30	28.0	7	CAP193254V1	CAP222594	CAP193259V1	CAP222599
32	0.85	10.0	11.5 - 18.0	30	34	28.0	7	CAP193314V1	CAP223294	CAP193319V1	CAP223299
32	0.95	15.0	17.5 - 24.5	38	38	30.0	8	CAP193324V1	CAP223294	CAP193329V1	CAP223299
40	0.95	15.0	17.5 - 24.5	38	43	30.0	8	CAP193394V1	CAP224094	CAP193399V1	CAP224099
40	1.00	20.5	24.0 - 32.0	47	47	33.0	9	CAP193404V1	CAP224094	CAP193409V1	CAP224099
50	1.00	20.5	24.0 - 32.0	47	54	33.0	9	CAP193494V1	CAP225094	CAP193499V1	CAP225099
50	1.15	27.5	31.0 - 40.5	57	57	37.0	10	CAP193504V1	CAP225094	CAP193509V1	CAP225099
63	1.15	27.5	31.0 - 40.5	57	68	37.0	10	CAP193624V1	CAP226394	CAP193629V1	CAP226399
63	1.75	34.5	39.0 - 53.0	75	75	48.0	11	CAP193634V1	CAP226394	CAP193639V1	CAP226399

* Stainless steel 316L with long (15 mm) thread

¹⁾ Order unit for locknuts, see page 3.28

All dimensions in mm.

HAZARDOUS AREA ACCESSORIES

INDUSTRIAL CABLE GLANDS AND ACCESSORIES

TECHNICAL GUIDE

CEAG GHG Ex e black

Hazardous area cable glands



Suitable for the following cable types:

- Non-armoured cable
- Fixed equipment where cables are not subjected to traction or vibration

Certifications and marquages

• ATEX No. PTB 14 ATEX 1015 X

⊕ II 2G - Ex e IIC Gb

⊕ II 2D - Ex tb IIIC Db

• IECEx No. IECEx PTB 14.0027X

Ex eb IIC Gb

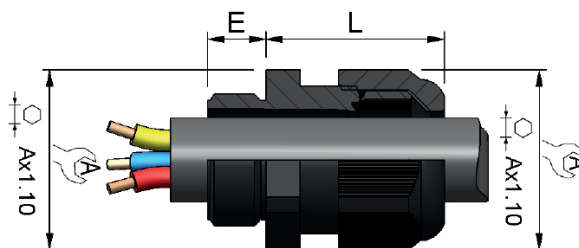
Ex eb IIC Db

Technical specification

- Material: polyamide
- Temperature range:
 - 20 °C to +70 °C (M12 to M32)
 - 55 °C to +70 °C (M40 to M63)
- Large cable connection area
- Low torque required for tightening
- Integrated sealing lip on thread
- Locknut available separately: see page ???



IP66



Ordering codes

THREAD SIZE (ISO)	CABLE DIAMETER SEAL			A	L	E	ORDER UNIT	CATALOG NUMBER
	1 + 2 + 3	1 + 2	1					
Ex e glands with short thread								
12	-	-	5.0 - 7.0	15.0	19.3	8.0	20	GHG 960 1955 R0001
16	-	5.5 - 7.0	7.0 - 10.0	20.0	23.0	8.0	20	GHG 960 1955 R0002
20	5.5 - 7.0	7.0 - 9.0	9.5 - 13.0	24.0	25.0	8.0	20	GHG 960 1955 R0003
25	8.0 - 10.0	10.0 - 13.0	13.5 - 17.5	29.0	29.5	8.0	20	GHG 960 1955 R0004
32	-	14.0 - 17.0	17.5 - 21.0	36.0	35.5	10.0	20	GHG 960 1955 R0005
Ex e glands with long thread								
12	-	-	5.0 - 7.0	15.0	19.3	12.0	20	GHG 960 1955 R0021
16	-	5.5 - 7.0	7.0 - 10.0	20.0	23.0	12.0	20	GHG 960 1955 R0022
20	5.5 - 7.0	7.0 - 9.0	9.5 - 13.0	24.0	25.0	13.0	20	GHG 960 1955 R0023
25	8.0 - 10.0	10.0 - 13.0	13.5 - 17.5	29.0	29.5	13.0	20	GHG 960 1955 R0024
32	-	14.0 - 17.0	17.5 - 21.0	36.0	35.5	15.0	20	GHG 960 1955 R0025
40	-	19.0 - 22.0	22.0 - 28.0	46.0	39.5	15.0	10	GHG 960 1955 R0026
50	-	24.0 - 28.0	28.0 - 35.0	55.0	44.0	16.0	10	GHG 960 1955 R0027
63	-	29.0 - 35.0	36.0 - 48.0 (1)	68.0	47.0	16.0	5	GHG 960 1955 R0028

(1) Size M63 is supplied with a specific additional seal for the clamping range 41.0 - 48.0 mm

All dimensions in mm.



CEAG GHG Ex e blue

Hazardous area cable glands



Suitable for the following cable types:

- Non-armoured cable
- Fixed equipment where cables are not subjected to traction or vibration
- The blue cap allows easy identification of intrinsically safe circuits

Certifications and marquages

• ATEX No. PTB 14 ATEX 1015 X

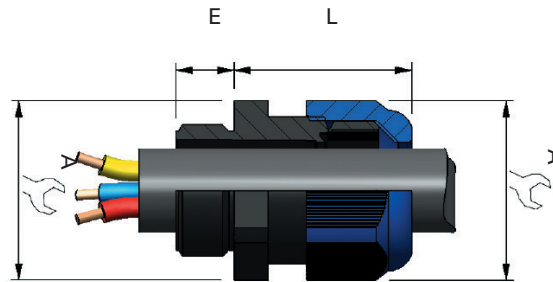
- II 2G - Ex e IIC Gb
- II 2D - Ex tb IIC Db

• IECEx No. IECEx PTB 14.0027X

- Ex eb IIC Gb
- Ex eb IIC Db

Technical specification

- Material: polyamide
- Temperature range:
 - 20 °C to +70 °C (M12 to M32)
 - 55 °C to +70 °C (M40 to M63)
- Large cable connection area
- Low torque required for tightening.
- Integrated sealing lip on thread
- Locknut available separately: see page ???



Ordering codes

THREAD SIZE (ISO)	CABLE DIAMETER SEAL			A	L	E	ORDER UNIT	CATALOG NUMBER
	1 + 2 + 3	1 + 2	1					
Ex e blue glands with short thread								
12	-	-	5.0 - 7.0	15.0	19.3	8.0	20	GHG 960 1955 R0101
16	-	5.5 - 7.0	7.0 - 10.0	20.0	23.0	8.0	20	GHG 960 1955 R0102
20	5.5 - 7.0	7.0 - 9.0	9.5 - 13.0	24.0	25.0	8.0	20	GHG 960 1955 R0103
25	8.0 - 10.0	10.0 - 13.0	13.5 - 17.5	29.0	29.5	8.0	20	GHG 960 1955 R0104
32	-	14.0 - 17.0	17.5 - 21.0	36.0	35.5	10.0	20	GHG 960 1955 R0105
Ex e blue glands with long thread								
12	-	-	5.0 - 7.0	15.0	19.3	12.0	20	GHG 960 1955 R0121
16	-	5.5 - 7.0	7.0 - 10.0	20.0	23.0	12.0	20	GHG 960 1955 R0122
20	5.5 - 7.0	7.0 - 9.0	9.5 - 13.0	24.0	25.0	13.0	20	GHG 960 1955 R0123
25	8.0 - 10.0	10.0 - 13.0	13.5 - 17.5	29.0	29.5	13.0	20	GHG 960 1955 R0124
32	-	14.0 - 17.0	17.5 - 21.0	36.0	35.5	15.0	20	GHG 960 1955 R0125
40	-	19.0 - 22.0	22.0 - 28.0	46.0	39.5	15.0	10	GHG 960 1955 R0126
50	-	24.0 - 28.0	28.0 - 35.0	55.0	44.0	16.0	10	GHG 960 1955 R0127
63	-	29.0 - 35.0	36.0 - 48.0 (1)	68.0	47.0	16.0	5	GHG 960 1955 R0128

(1) Size M63 is supplied with a specific additional seal for the clamping range 41.0 - 48.0 mm

Trumpet Ex e cable gland

Hazardous area cable glands



Suitable for the following cable types:

- Non-armoured cable
- Mobile/portable equipment (i.e: portable lamps)
- Cables subjected to vibration (i.e: BJ motor)

Certifications and marquages

- **ATEX No. PTB 00ATEX3121**

⊕ II 2 G - Ex e II

⊕ II 2 D - Ex tD A21 IP66

- **IECEX No. IECEX BKI 08.0007**

Ex e II

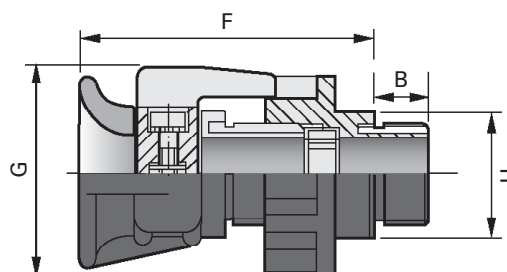
Ex tD A21 IP66 T85 °C

Technical specification

- Material: polyamide
- Temperature range: -40 °C to +85 °C
- Large cable connection area
- Low torque required for tightening
- Supplied with washer and locknut



IP66



Ordering codes

THREAD SIZE (ISO)	THREAD SIZE (ISO)	CABLE DIAMETER MIN - MAX	F	H	G	B	ORDER UNIT	CATALOG NUMBER
20	M20	8.0 - 13.0	64.0	27.0	47.0	15.0	10	GHG 960 1949 R0111
25	M25	11.0 - 16.0	65.0	32.0	51.0	15.0	10	GHG 960 1949 R0112
32	M32	15.0 - 20.0	80.0	41.0	68.0	15.0	10	GHG 960 1949 R0113
40	M40	19.0 - 27.0	86.0	50.0	81.0	15.0	10	GHG 960 1949 R0114
50	M50	28.0 - 34.0	95.0	60.0	96.0	16.0	1	GHG 960 1949 R0115
63	M63	38.0 - 46.0	105.0	75.0	107.0	16.0	1	GHG 960 1949 R0116

All dimensions in mm.



Terminator™ II TMCX

North American cable glands



option
316L

Suitable for the following cable types:

- Metal Clad cable: MC, MC-HL
- Non-armoured cable and tray cable: ITC-HL, TC, TC-ER, TC-ER-HL, PLTC
- TECK cable

Certifications and compliances

- **cULus No. E122485**
Class I Division 1 Groups A, B, C, D
Class II Groups E, F, G
Class III
NEMA 6P (1/2" to 1 1/4" NPT or metric equivalent)
NEMA 4X (1/2" to 4" NPT or metric equivalent)
Nickel-plated brass and stainless steel 316L versions are NEMA 4X rated.

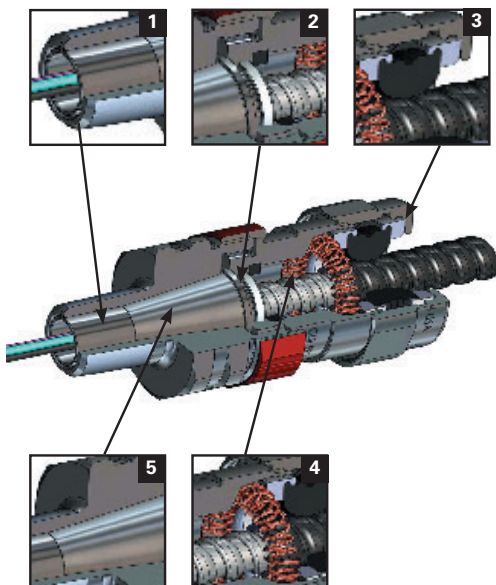
Technical specification

- Material: aluminium with neoprene O-ring, stainless steel 316L and nickel-plated brass
- Chico® LiquidSeal liquid compound with fast gel and cure times to reduce waiting time. Also available with regular TSC epoxy sealing compound*.
- Aluminum sizes 1/2" to 1 1/4" NPT available in bulk packs.
- Temperature range: -40 °C to +60 °C
- For specific temperature information, please contact your local representative.

*For details of Chico® LiquidSeal liquid compound, TSC epoxy sealing compound and Cold Shrink kits, please see page ??.

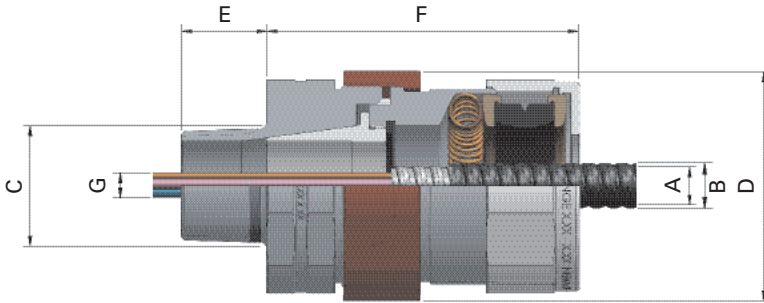
Features and benefits

- 1: Choice of liquid or putty compound allows rapid curing and facilitates non-vertical applications. Includes compound dam.
- 2: Splined shaft ensures the two assemblies lock together and do not rotate, preventing need for two tools to be used.
- 3: Back nut / cap nut and environmental seal are captive, retaining entry end components.
- 4: Conical compound chamber ensures perfect flame path every time.
- 5: Integral union allows for a two-piece assembly gland, minimizing tightening and loosening of nuts, improving assembly time. Red anodized union nut is visible in any orientation for quick identification of Ex gland.



Terminator II TMCX

North American cable glands



Cable gland TMCX II bulk packs

CATALOG NUMBER	DESCRIPTION	QUANTITY
TMCX050 0 BULK	1/2" TMCX II SIZE 0	20
TMCX050 1 BULK	1/2" TMCX II SIZE 1	20
TMCX050 2 BULK	1/2" TMCX II SIZE 2	20
TMCX075 0 BULK	3/4" TMCX II SIZE 0	15
TMCX075 1 BULK	3/4" TMCX II SIZE 1	15
TMCX075 2 BULK	3/4" TMCX II SIZE 2	15
TMCX100 0 BULK	1" TMCX II SIZE 0	15
TMCX100 1 BULK	1" TMCX II SIZE 1	10
TMCX100 2 BULK	1" TMCX II SIZE 2	10
TMCX125 1 BULK	1 1/4" TMCX II SIZE 1	10

SERIES	THREAD SIZE	CABLE SEALING RANGE	MATERIAL	SEALING TYPE	CODES
TMCX	050	1	NP	L	L Liquid compound BLANK TSC compound
					NP Nickel-plated brass SS Stainless steel BLANK Aluminum

The Terminator™ II TMCX in aluminum, sizes 1/2" to 1 1/4" NPT is also available in bulk packed glands without compound. For details of Chico® LiquidSeal liquid compound, TSC epoxy sealing compound and Cold Shrink kits, please see page ??

Ordering codes

THREAD SIZE (NPT) 'C'	THREAD SIZE CODE (NPT)	THREAD SIZE (ISO) 'C'	THREAD SIZE CODE (ISO)	CABLE SEALING RANGE	OVER COND O.D MAX 'G'	ARMOUR O.D. 'A' MIN - MAX	CABLE O.D. 'B' † MIN - MAX	D	E	F	CATALOG NUMBER (NPT)	CATALOG NUMBER (ISO)
1/2"	050	20	M20	0	0.480	0.36-0.66	0.45-0.70	1.44	0.89	2.93	TMCX050 0	TMCXM20 0
1/2"	050	20	M20	1	0.480	0.40-0.86	0.49-0.90	1.75	1.00	3.05	TMCX050 1	TMCXM20 1
1/2"	050	20	M20	2	0.480	0.56-1.14	0.65-1.18	2.25	1.00	3.18	TMCX050 2	TMCXM20 2
3/4"	075	25	M25	0	0.713	0.36-0.66	0.45-0.70	1.63	0.90	2.93	TMCX075 0	TMCXM25 0
3/4"	075	25	M25	1	0.713	0.40-0.86	0.49-0.90	1.75	1.00	3.05	TMCX075 1	TMCXM25 1
3/4"	075	25	M25	2	0.713	0.56-1.14	0.65-1.18	2.25	1.00	3.18	TMCX075 2	TMCXM25 2
1"	100	32	M32	0	0.713	0.40-0.86	0.49-0.90	1.75	1.08	3.13	TMCX100 0	TMCXM32 0
1"	100	32	M32	1	0.939	0.56-1.14	0.65-1.18	2.25	1.08	3.18	TMCX100 1	TMCXM32 1
1"	100	32	M32	2	0.939	0.78-1.35	0.87-1.39	2.56	1.08	3.30	TMCX100 2	TMCXM32 2
1 1/4"	125	40	M40	1	1.172	0.78-1.35	0.87-1.39	2.56	1.08	3.30	TMCX125 1	TMCXM40 1
1 1/4"	125	40	M40	2	1.150	0.94-1.67	1.03-1.65	3.73	1.25	4.71	TMCX125 2	TMCXM40 2
1 1/2"	150	50	M50	1	1.370	0.94-1.67	1.03-1.65	3.73	1.25	4.71	TMCX150 1	TMCXM50 1
1 1/2"	150	50	M50	2	1.370	1.28-1.97	1.53-2.07	4.11	1.25	4.71	TMCX150 2	TMCXM50 2
2"	200	63	M63	1	1.760	1.28-1.97	1.53-2.07	4.11	1.25	4.71	TMCX200 1	TMCXM63 1
2"	200	63	M63	2	1.760	1.67-2.62	1.81-2.72	4.98	1.25	5.63	TMCX200 2	TMCXM63 2
2 1/2"	250	75	M75	1	2.140	1.67-2.62	1.81-2.72	4.98	1.81	5.63	TMCX250 1	TMCXM75 1
2 1/2"	250	75	M75	2	2.140	2.11-2.95	2.34-3.13	5.61	1.81	5.80	TMCX250 2	TMCXM75 2
3"	300	90	M90	1	2.690	2.11-2.95	2.34-3.13	5.61	1.81	5.80	TMCX300 1	TMCXM90 1
3"	300	90	M90	2	2.690	2.45-3.39	2.68-3.61	6.23	1.81	6.26	TMCX300 2	TMCXM90 2
3 1/2"	350	110	M110	1	3.130	2.45-3.39	2.68-3.61	6.23	1.94	6.26	TMCX350 1	TMCXM110 1
3 1/2"	350	110	M110	2	3.570	3.05-4.22	3.13-3.97	6.73	1.94	6.52	TMCX350 2	TMCXM110 2
4"	400	-	-	1	3.130	2.45-3.39	2.68-3.61	6.23	2.00	6.26	TMCX400 1	-
4"	400	-	-	2	3.570	3.05-4.22	3.13-3.97	6.73	2.00	6.52	TMCX400 2	-

† When making your cable selection based on cable O.D., be sure to also observe the Over Conductors O.D. dimension

‡ Minimum cable O.D. for CSA certification is 0.49 (12.45) for TMCX050 0 and TMCX075 0; 0.57 (14.48) for TMCX100 0.

Accessories for Terminator™ II TMCX

North American cable glands

Chico® LiquidSeal liquid compound

Mixing time: 2 minutes
 Application: pour/gun
 Gel time: 15-30 minutes*
 Full cure/return to service time: 2 hours*
 Available for installation in vertical position



Chico® LiquidSeal liquid compound

FORMAT	ORDER UNIT	CATALOG NUMBER
10 x 10 ml sachets	1 carton	LSC10
10 x 20 ml sachets	1 carton	LSC20
5 x 75 ml sachets	1 carton	LSC75



Chico® LiquidSeal 200ml cartridge

Easily and quickly pour multiple glands
 Self-mixing nozzles
 Gel time: 15-30 minutes*
 Full cure/return to service time: 2 hours*
 Can be stored between uses**

*at +20°C ambient temperature
 **additional tips may be required

Applicator gun

Applicator gun available at many retailers - ask for 200ml dual cartridge applicator gun.

DESCRIPTION	STANDARD CARTON QUANTITY	CATALOG NUMBER
200 ml. liquid compound cartridge and 3 mixing nozzles	1	LSC200CART
Replacement mixing nozzles	5	LSCTIP

Solid compound epoxy TSC

Mixing time: 5 minutes
 Application: by hand
 Full curing time: 24 hours
 Available for installation in any orientation



FORMAT	ORDER UNIT	CATALOG NUMBER
10 x 15 ml tubes (0.5 oz)	1 carton	TSC05
10 x 30 ml tubes (1.0 oz)	1 carton	TSC1
5 x 120 ml tubes (4.0 oz)	1 carton	TSC4

Cold Shrink™ corrosion protection kits

THREAD SIZE NPT (TMCX, TMC)	CATALOG NUMBER NPT TMCX II	CATALOG NUMBER ISO TMCX II	COLD SHRINK KIT
1/2"	TMCX050 0	TMCXM20 0	TMC-K1
1/2"	TMCX050 1	TMCXM20 1	TMC-K1
1/2"	TMCX050 2	TMCXM20 2	TMC-K1
3/4"	TMCX075 0	TMCXM25 0	TMC-K2
3/4"	TMCX075 1	TMCXM25 1	TMC-K2
3/4"	TMCX075 2	TMCXM25 2	TMC-K2
1"	TMCX100 0	TMCXM32 0	TMC-K3
1"	TMCX100 1	TMCXM32 1	TMC-K3
1"	TMCX100 2	TMCXM32 2	TMC-K3
1 1/4"	TMCX125 1	TMCXM40 1	TMC-K4
1 1/4"	TMCX125 2	TMCXM40 2	TMC-K4
1 1/2"	TMCX150 1	TMCXM50 1	TMC-K5
1 1/2"	TMCX150 2	TMCXM50 2	TMC-K5
2"	TMCX200 1	TMCXM63 1	TMC-K6
2"	TMCX200 2	TMCXM63 2	TMC-K6
2 1/2"	TMCX250 1	TMCXM75 1	TMC-K7
2 1/2"	TMCX250 2	TMCXM75 2	TMC-K7
3"	TMCX300 1	TMCXM90 1	TMC-K8
3"	TMCX300 2	TMCXM90 2	TMC-K8
3 1/2"	TMCX350 1	TMCXM110 1	TMC-K9
3 1/2"	TMCX350 2	TMCXM110 2	TMC-K9
4"	TMCX400 1	-	TMC-K10
4"	TMCX400 2	-	TMC-K10

Cold Shrink™ Corrosion Protection Kits are specially designed for Crouse-Hinds TMC, TMCX and TECK fittings to provide protection against corrosive elements like salt spray and moisture.

The TMC-K kit is made of a Cold Shrink material that is quick and easy to install on the gland. The Cold Shrink material is made of EPDM rubber that contains no chlorides or sulphurs. The protection kit installs easily over the gland without the use of a heat source to shrink the material tightly over the seal. The Cold Shrink material can be removed easily from the gland by simply cutting it off.

See ordering information for complete offering of TMC-K Cold Shrink kits for corrosion protection. Cold Shrink is a registered trademark of the 3M Company.



Suitable for the following cable types:

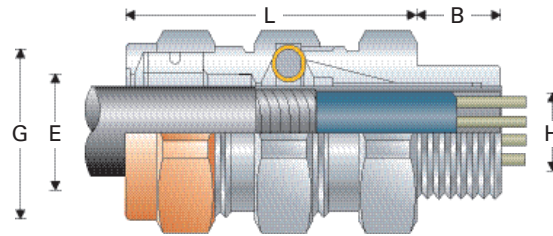
- Metal Clad cable: MC, MC-HL
- Tray cable: TC

Certifications and compliances

- **UL No. E122485**
Class I Division 1 Groups A, B, C, D
Class II
Class III
NEMA 4 and IP56
- **CSA No. LR13046**

Technical specification

- Material: aluminium with neoprene seal (nickel-plated brass on request)
- Stainless steel copper-plated spring provides grounding continuity of cable armour (MC cable only).
- Provides explosionproof compound seal on conductors and watertight seal on outer sheath of cable
- Temperature range: -25 °C to +60 °C
- IP56
- Cold Shrink™ Kit is available for extra protection in aggressive environments.
- Available with TSC epoxy sealing compound.



THREAD SIZE (NPT)	ARMOUR RANGE 'H' MIN - MAX	OUTER SHEATH 'E' MIN - MAX	ACROSS FLATS	ACROSS CORNERS 'G' 'L'	LENGTH 'L'	THREAD LENGTH 'B'	CATALOG NUMBER ALUMINIUM	COLD SHRINK KIT THREAD SIZE	CATALOG NUMBER
1/2"	0.44 - 0.65	0.49 - 0.78	1.25	1.38	2.63	0.75	TMCX165	1/2"	TMC-K1
3/4"	0.60 - 0.85	0.65 - 1.00	1.50	1.63	2.88	0.78	TMCX285	3/4"	TMC-K2
1"	0.80 - 1.12	0.85 - 1.31	1.88	2.00	3.13	0.94	TMCX3112	1"	TMC-K3
1 1/4"	1.10 - 1.40	1.15 - 1.62	2.25	2.44	3.13	0.97	TMCX4140	1 1/4"	TMC-K4
1 1/2"	1.33 - 1.61	1.38 - 1.78	2.50	2.75	3.38	0.97	TMCX5161	1 1/2"	TMC-K5
2"	1.57 - 2.06	1.63 - 2.31	3.25	3.50	5.31	1.00	TMCX6206	2"	TMC-K6
2 1/2"	1.93 - 2.47	1.99 - 2.72	3.75	4.00	6.06	1.44	TMCX7247	2 1/2"	TMC-K7
3"	2.45 - 3.02	2.52 - 3.28	4.50	4.88	6.06	1.44	TMCX8302	3"	TMC-K8
3 1/2"	2.95 - 3.52	3.02 - 3.78	5.00	5.38	7.75	1.63	TMCX9352	3 1/2"	TMC-K9
4"	3.50 - 4.02	3.58 - 4.28	5.50	5.88	8.31L	1.63	TMCX10402	4"	TMC-K10

All dimensions in inches, unless stated otherwise.



Suitable for the following cable types:

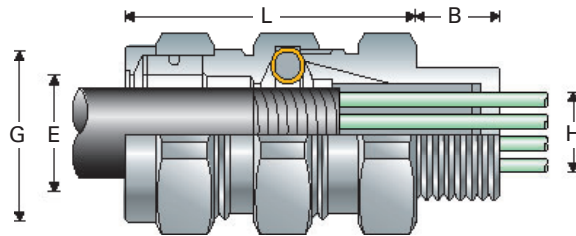
- Metal clad cable: MC
- TECK corrugated or interlocked steel or aluminum cable

Certifications and compliances

- UL Listed: UL File E36379
- CSA listed LR291
- NEMA 4 and IP56
- Suitable for wet locations

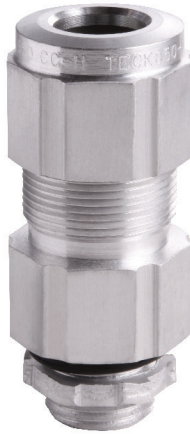
Technical specification

- Material: aluminium with neoprene seal
- Stainless steel copper-plated spring provides grounding continuity of cable armour (MC cable only).
- Watertight seal on outer sheath of cable
- Temperature range: -25 °C to +60 °C
- IP56
- Cold Shrink™ Kit is available for extra protection in aggressive environments.
- Available in NPT threadforms



THREAD SIZE (NPT)	ARMOUR RANGE 'H' MIN - MAX	OUTER SHEATH 'E' MIN - MAX	ACROSS FLATS	ACROSS CORNERS 'G'	LENGTH 'L'	THREAD LENGTH 'B'	CATALOG NUMBER ALUMINIUM
1/2"	0.44 - 0.65	0.49 - 0.78	1.25	1.38	2.38	0.75	TMC165
3/4"	0.60 - 0.85	0.65 - 1.00	1.50	1.63	2.63	0.78	TMC285
1"	0.80 - 1.12	0.85 - 1.31	1.88	2.00	3.13	0.94	TMC3112
1 1/4"	1.10 - 1.40	1.15 - 1.62	2.25	2.44	2.75	0.97	TMC4140
1 1/2"	1.33 - 1.61	1.38 - 1.78	2.50	2.75	3.38	0.97	TMC5161
2"	1.57 - 2.06	1.63 - 2.31	3.25	3.50	4.50	1.00	TMC6206
2 1/2"	1.93 - 2.47	1.99 - 2.72	3.75	4.00	4.75	1.44	TMC7247
3"	2.45 - 3.02	2.52 - 3.28	4.50	4.88	4.88	1.44	TMC8302
3 1/2"	2.95 - 3.52	3.02 - 3.78	5.00	5.38	5.38	1.63	TMC9352
4"	3.50 - 4.02	3.58 - 4.28	5.50	5.88	5.50	1.63	TMC10402

All dimensions in inches, unless otherwise stated



Suitable for the following cable types:

- TECK corrugated or interlocked steel or aluminum cable

Certifications and compliances

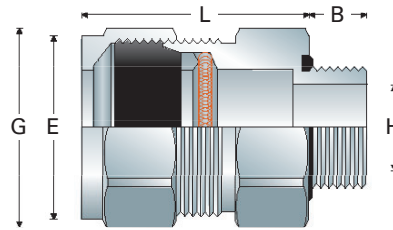
- **CSA Listed: LR13046**
CSA Type 4 and IP56
Class I
Class II Groups E, F, G
Class III

Technical specification

- Material: aluminium with neoprene seal as standard, steel, stainless steel and PVC coated* aluminium as an option
- Stainless steel copper-plated spring provides grounding continuity of cable armour (TECK cable only)
- Provides watertight seal on outer sheath of cable
- Has integral O ring seal on entry threads
- Temperature range: -25 °C to +60 °C
- IP56
- Cold Shrink™ Kit is available for extra protection in aggressive environments



option
316L



THREAD SIZE (NPT)	ARMOUR RANGE 'H' MIN - MAX	OUTER SHEATH 'E' MIN - MAX	ACROSS FLATS	ACROSS CORNERS 'G'	LENGTH 'L'	THREAD LENGTH 'B'	CATALOG NUMBER ALUMINIUM	CATALOG NUMBER STEEL	CATALOG NUMBER STAINLESS STEEL	CATALOG NUMBER COLD SHRINK KIT
1/2"	0.41 - 0.57	0.52 - 0.65	1.25	1.35	0.63	2.30	TECK050-1	TECK050-1S	TECK050-1SS	TMC-K1
1/2"	0.49 - 0.68	0.60 - 0.76	1.38	1.50	0.63	2.30	TECK050-2	TECK050-2S	TECK050-2SS	TMC-K1
1/2"	0.61 - 0.80	0.72 - 0.88	1.50	1.60	0.63	2.30	TECK050-3	TECK050-3S	TECK050-3SS	TMC-K1
1/2"	0.71 - 0.90	0.82 - 0.98	1.50	1.60	0.63	2.30	TECK050-4	TECK050-4S	TECK050-4SS	TMC-K1
3/4"	0.77 - 0.98	0.88 - 1.06	2.00	2.13	0.63	2.50	TECK075-5	TECK075-5S	TECK075-5SS	TMC-K2
3/4"	0.91 - 1.12	1.02 - 1.20	2.00	2.13	0.63	2.50	TECK075-6	TECK075-6S	TECK075-6SS	TMC-K2
1"	1.08 - 1.29	1.19 - 1.37	2.25	2.40	0.75	2.63	TECK100-7	TECK100-7S	TECK100-7SS	TMC-K3
1 1/4"	1.24 - 1.54	1.35 - 1.62	3.00	3.13	0.80	3.50	TECK125-8	TECK125-8S	-	TMC-K4
1 1/4"	1.39 - 1.54	1.50 - 1.62	3.00	3.13	0.80	3.40	TECK125-9	TECK125-9S	-	TMC-K4
1 1/4"	1.49 - 1.79	1.60 - 1.87	3.00	3.13	0.80	3.50	TECK125-10	TECK125-10S	-	TMC-K4
1 1/2"	1.59 - 1.88	1.70 - 1.96	3.75	3.60	0.80	3.80	TECK150-11	TECK150-11S	-	TMC-K5
1 1/2"	1.79 - 2.11	1.90 - 2.19	3.50	3.75	0.80	3.90	TECK150-12	TECK150-12S	-	TMC-K5
2"	1.79 - 2.11	1.90 - 2.19	3.75	4.00	0.82	4.00	TECK200-13	TECK200-13S	-	TMC-K6
2"	1.99 - 2.28	2.10 - 2.37	3.75	4.00	0.82	4.00	TECK200-14	TECK200-14S	-	TMC-K6
2"	2.19 - 2.48	2.30 - 2.56	4.13	4.40	0.87	4.00	TECK200-15	TECK200-15S	-	TMC-K6
2"	2.39 - 2.66	2.50 - 2.75	4.13	4.40	0.87	4.00	TECK200-16	TECK200-16S	-	TMC-K6
2 1/2"	2.24 - 2.56	2.38 - 2.64	4.50	4.75	1.30	5.00	TECK250-17	TECK250-17S	-	TMC-K7
2 1/2"	2.24 - 2.75	2.58 - 2.84	4.50	4.75	1.30	5.00	TECK250-18	TECK250-18S	-	TMC-K7
3"	2.64 - 2.97	2.79 - 3.06	4.60	4.90	1.40	5.00	TECK300-19	TECK300-19S	-	TMC-K8
3"	2.87 - 3.19	3.00 - 3.27	4.90	5.25	1.40	5.00	TECK300-20	TECK300-20S	-	TMC-K8
3"	3.04 - 3.39	3.21 - 3.48	5.00	5.25	1.40	5.00	TECK300-21	TECK300-21S	-	TMC-K8
3 1/2"	3.27 - 3.59	3.42 - 3.69	5.60	5.90	1.40	5.00	TECK350-22	TECK350-22S	-	TMC-K9
3 1/2"	3.44 - 3.77	3.61 - 3.87	5.50	5.90	1.40	5.00	TECK350-23	TECK350-23S	-	TMC-K9
4"	3.60 - 3.93	3.81 - 4.03	6.13	6.50	1.40	5.00	TECK400-24	TECK400-24S	-	TMC-K10
4"	3.75 - 4.06	3.96 - 4.18	6.13	6.50	1.40	5.00	TECK400-25	TECK400-25S	-	TMC-K10
4"	3.91 - 4.22	4.12 - 4.34	6.13	6.50	1.40	5.00	TECK400-26	TECK400-26S	-	TMC-K10

All dimensions in inches unless stated otherwise

