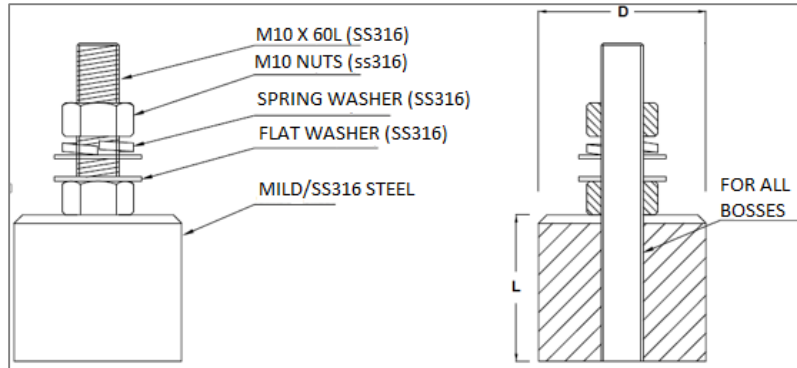


## EARTH BOSS

IEP supplies a wide range of Earth Bosses that are designed to provide an earth connection point on a steel structure. The boss can be welded onto steel vessels, tanks and other structures. These earth points allow easy access for the lightning protection & earthing system. The primary purpose of earthing is to reduce the risk of serious electric shock from current leaking into uninsulated metal parts of a metal structure.

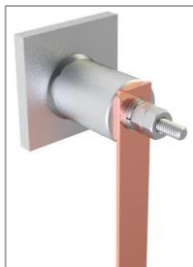


- The earth bosses are manufactured from mild steel/stainless steel with SS316 stainless steel fittings.
- The earth boss size, material type and design configuration can be designed to accept onshore or offshore project applications.

Part No.	L mm	D mm	Thread Size	Material
IEP-EB-3040-CS	30	40	M10	Carbon Steel
IEP-EB-3040-SS	30	40	M10	Stainless Steel
IEP-EB-3540-CS	35	40	M10	Carbon Steel

*\*Note: All earth bosses are supplied with fixing bolts, flat washers and spring washer. Other Earth Boss sizes, material type, configuration etc. available upon request.*

## CAST GROUND PLATE or EARTH PLATE



### Features:

- The earth boss can be welded onto a cast ground plate or earth plate to provide an earth point on a steel structure.
- These earth points allow easy access for the lightning protection & earthing system.

**IMPORTANT NOTICE:** All statements, technical information, and recommendations contained herein are based upon testing believed to be reliable, but the accuracy and completeness thereof is not guaranteed.

**LIMITATIONS AND EXCLUSIONS:** THIS WARRANTY IS IN LIEU OF ALL OTHER REPRESENTATIONS EXPRESSED OR IMPLIED (INCLUDING THE IMPLIED WARRANTIES OF MERCHANTABILITY OR FITNESS FOR USE) AND UNDER NO CIRCUMSTANCES SHALL IEP SDN BHD. BE RESPONSIBLE FOR ANY INCIDENTAL OR CONSEQUENTIAL PROPERTY DAMAGE OR LOSSES. PRIOR TO USE, THE USER SHALL DETERMINE THE SUITABILITY OF THE PRODUCT FOR ITS INTENDED USE, AND THE USER ASSUMES ALL RISKS AND LIABILITY FOR SUBSEQUENT USE. No statement or recommendation not contained herein shall have any force or effect unless in an agreement signed by officers of seller and manufacturer.