

MFC-W - Marine Watertight Firestop Collars

The MFC-W Collar is a watertight, factory-manufactured, intumescent device for use as a penetration seal in fire-rated bulkheads and decks. It incorporates a rubber grommet which fits snugly around the pipe to ensure watertightness. MFC-W Collars are lined with a molded, intumescent insert which rapidly expands up to 60 times its original volume, containing fire to the point of origin and restricting the passage of smoke and hot gases.

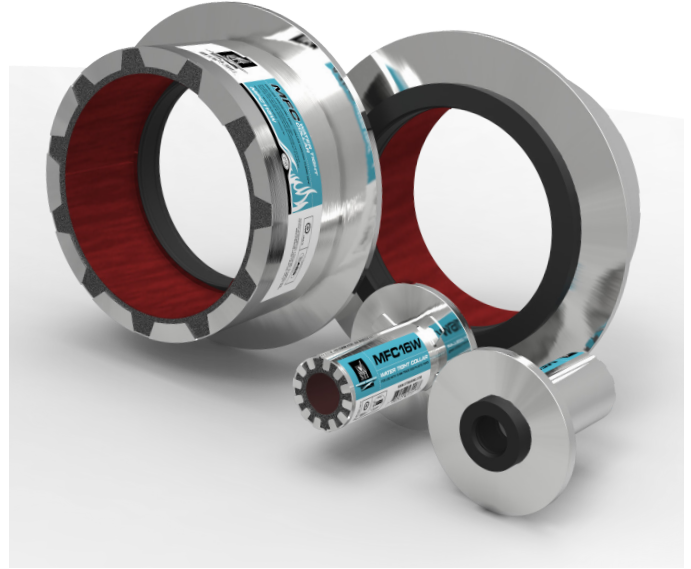
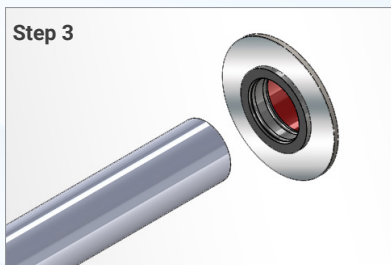
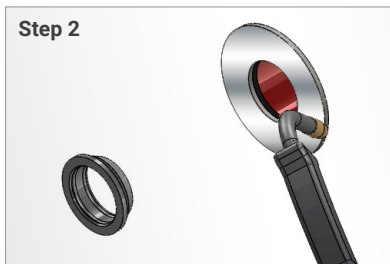
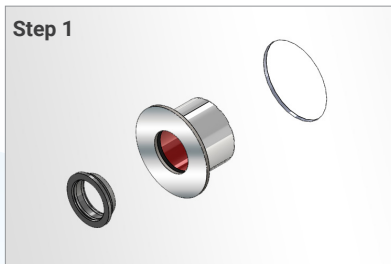
Product Features

- Tested to 2010 IMO FTP Code, Annex 1, Part 3 (Class A-0 through A-60 and H-0 through H-120 Bulkheads and Decks)
- Fits most standard pipe sizes from 16 mm to 324 mm
- Provides watertightness up to 6 bar and gastightness up to 1 bar
- Rapid intumescent expansion under fire conditions quickly seals off the path for fire, gases, and smoke
- Stainless steel body with mild steel flange for weld attachment
- Flexible intumescent liner accommodates vibration and will not damage pipe
- Resistant to aging and weathering

Installation Instructions

General Notes: Read Safety Data Sheets (SDS) and product label for safe handling. For further information regarding installation requirements, please refer to Installation Sheet Nos. ZIS1087, ZIS1225, ZIS1217 and the corresponding Type Approvals.

- Step 1: All surfaces shall be clean, sound, dry, frost-free, and free of bond-breaking contaminants and loose material.
- Step 2: Install the collar and secure to one side of bulkhead or deck by means of continuous weld.
- Step 3: Pass the pipe or conduit through the device. Use soapy water if necessary. DO NOT USE PETROLEUM-BASED LUBRICANTS.



PHYSICAL PROPERTIES - AS SUPPLIED

Collar Construction	Stainless Steel Shell with Mild Steel Flange
Expansion Begins	160°C (320°F)
Expansion Volume	30 to 60 Times
In Service Temperature	<54°C (<129.2°F)
Storage Temperature	<49°C (<120.2°F)
Shelf Life	No Limit

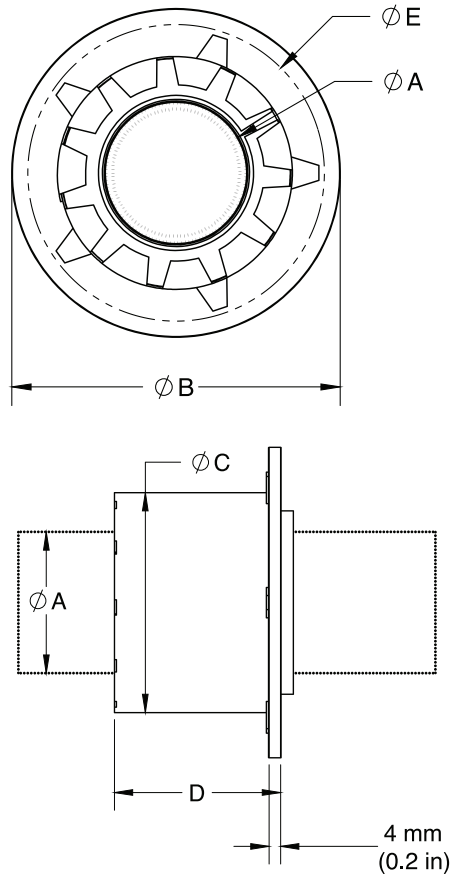
Maintenance

This product is maintenance free. Observed damage can be repaired per the original approved design.

Third Party Approvals



MFC-W - Marine Watertight Firestop Collars



COLLAR DIMENSIONS

Catalog Number	Pipe Diameter (A)		Flange Diameter (B)		Shell Diameter (C)		Collar Depth (D)		Opening Diameter (E)	
	mm	in	mm	in	mm	in	mm	in	mm	in
MFC16W	16	0.6	71	2.8	34	1.3	70	2.8	44	1.7
MFC20W	20	0.8	77	3.0	39	1.5	70	2.8	48	1.9
MFC25W	25	1.0	82	3.2	45	1.8	70	2.8	53	2.1
MFC32W	32	1.3	88	3.5	52	2.0	70	2.8	60	2.4
MFC40W	40	1.6	102	4.0	57	2.2	70	2.8	68	2.7
MFC50W	50	2.0	112	4.4	81	3.2	60	2.4	90	3.5
MFC60W	60	2.4	121	4.8	95	3.7	60	2.4	100	3.9
MFC63W	63	2.5	130	5.1	100	3.9	60	2.4	103	4.1
MFC75W	75	3.0	142	5.6	112	4.4	60	2.4	115	4.5
MFC90W	90	3.5	165	6.5	124	4.9	60	2.4	130	5.1
MFC110W	110	4.3	183	7.2	143	5.6	60	2.4	150	5.9
MFC115W	115	4.5	186	7.3	148	5.8	60	2.4	165	6.5
MFC125W	125	4.9	202	8.0	161	6.3	116	4.6	175	6.9
MFC140W	140	5.5	218	8.6	175	6.9	116	4.6	190	7.5
MFC160W	160	6.3	245	9.6	196	7.7	116	4.6	210	8.3
MFC169W	169	6.7	275	10.8	200	7.9	116	4.6	220	8.7
MFC200W	200	7.9	315	12.4	249	9.8	140	5.5	250	9.8
MFC219W	219	8.6	345	13.6	263	10.4	140	5.5	270	10.6
MFC225W	225	8.9	350	13.8	271	10.7	140	5.5	275	10.8
MFC273W	273	10.7	400	15.7	316	12.4	140	5.5	323	12.7
MFC324W	324	12.8	450	17.7	368	14.5	140	5.5	370	14.6

ORDERING INFORMATION

Catalog Number	UPC Number	Description	(UOM) Qty.	Case Qty.	Weight (Each)
MFC16W	730573431177	16 mm Marine Watertight Firestop Collar	1	12	0.22 kg (0.49 lbs)
MFC20W	730573431214	20 mm Marine Watertight Firestop Collar	1	12	0.26 kg (0.57 lbs)
MFC25W	730573431269	25 mm Marine Watertight Firestop Collar	1	12	0.29 kg (0.64 lbs)
MFC32W	730573431313	32 mm Marine Watertight Firestop Collar	1	6	0.34 kg (0.75 lbs)
MFC40W	730573431412	40 mm Marine Watertight Firestop Collar	1	6	0.41 kg (0.91 lbs)
MFC50W	730573431511	50 mm Marine Watertight Firestop Collar	1	6	0.56 kg (1.25 lbs)
MFC60W	730573432013	60 mm Marine Watertight Firestop Collar	1	6	0.64 kg (1.40 lbs)
MFC63W	730573432648	63 mm Marine Watertight Firestop Collar	1	6	0.70 kg (1.55 lbs)
MFC75W	730573432761	75 mm Marine Watertight Firestop Collar	1	6	0.79 kg (1.75 lbs)
MFC90W	730573433010	90 mm Marine Watertight Firestop Collar	1	6	0.97 kg (2.14 lbs)
MFC110W	730573433119	110 mm Marine Watertight Firestop Collar	1	6	1.12 kg (2.46 lbs)
MFC115W	730573434017	115 mm Marine Watertight Firestop Collar	1	6	1.15 kg (2.53 lbs)
MFC125W	730573434260	125 mm Marine Watertight Firestop Collar	1	2	1.88 kg (4.15 lbs)
MFC140W	730573434413	140 mm Marine Watertight Firestop Collar	1	2	4.19 kg (9.24 lbs)
MFC160W	730573434611	160 mm Marine Watertight Firestop Collar	1	2	2.99 kg (6.60 lbs)
MFC169W	730573436011	169 mm Marine Watertight Firestop Collar	1	2	3.15 kg (6.94 lbs)
MFC200W	730573436219	200 mm Marine Watertight Firestop Collar	1	1	4.98 kg (10.97 lbs)
MFC219W	730573438015	219 mm Marine Watertight Firestop Collar	1	1	5.48 kg (12.08 lbs)
MFC225W	730573438268	225 mm Marine Watertight Firestop Collar	1	1	5.76 kg (12.70 lbs)
MFC273W	730573438756	273 mm Marine Watertight Firestop Collar	1	1	6.57 kg (14.49 lbs)
MFC324W	730573438763	324 mm Marine Watertight Firestop Collar	1	1	7.16 kg (15.78 lbs)

