

**APLICACIONES
TECNOLÓGICAS**

**LIGHTNING
& EARTHING**

APLIWELD® Secure+ Tablet Format

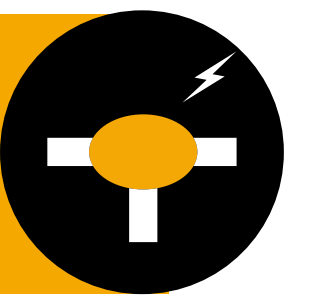
**The efficient
exothermic welding**



**PERFECT
CONNECTIONS**

**OPERATIONAL
COST
SAVINGS**

**LABOUR RISK
PREVENTION**



Earthing systems and their connections must last throughout the lifetime of an installation. The technology of the **APLIWELD® Secure+** system ensures this is achieved by overcoming the result of other types of welding and traditional techniques such as mechanical connections.

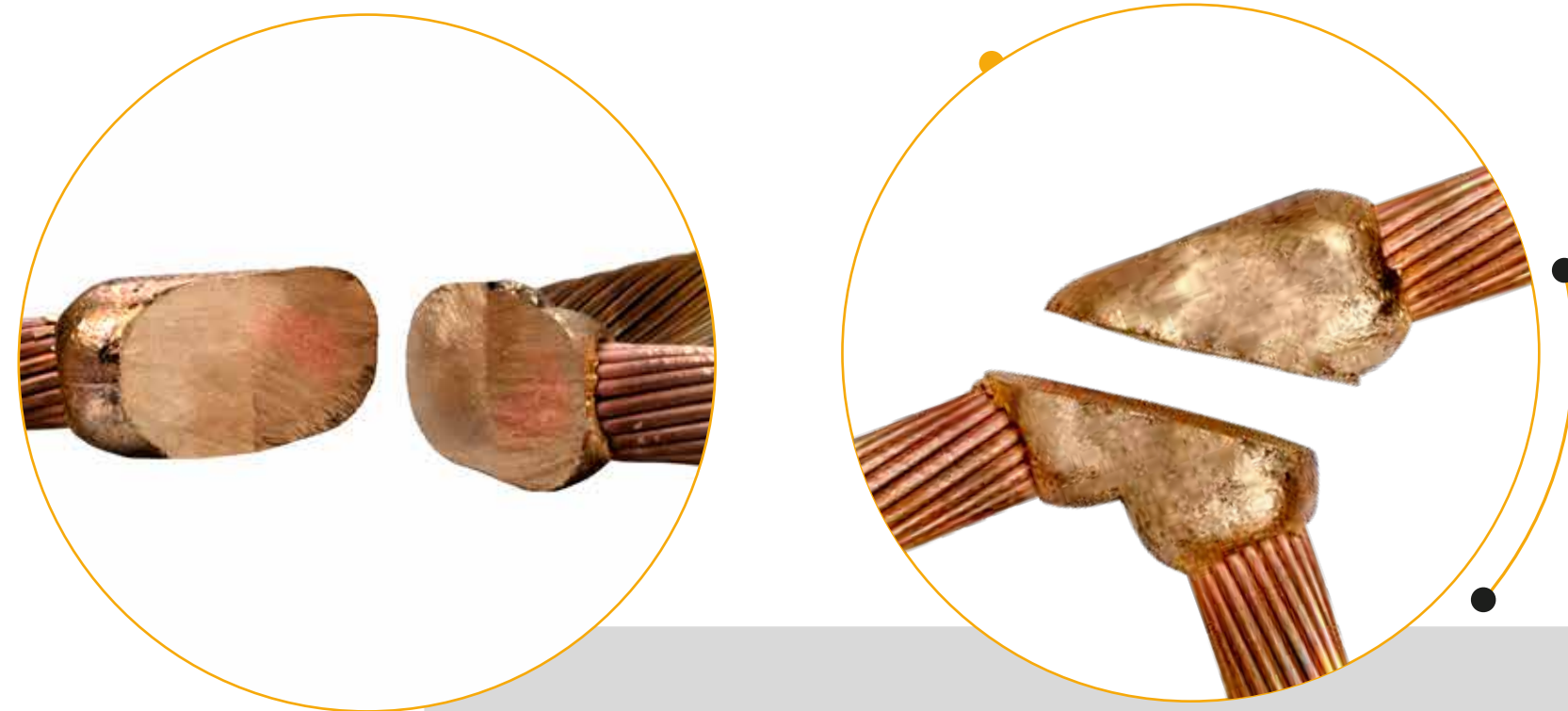


Traditional exothermic
Multiple powder
references



APLIWELD® Secure+
unique compound for every weld

The innovative tablet format of **APLIWELD® Secure+** generates substantial storage cost savings as well as operational cost savings:

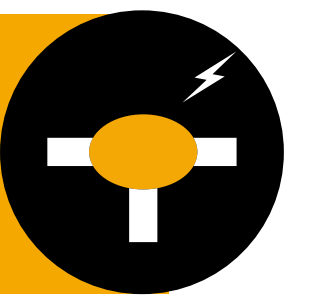


- ✓ Ease of use
- ✓ Methodic process avoids errors and misuse
- ✓ Certified connections



Grounding & bonding
equipment (E354045)

- ✓ Carry out all weld types using one or various tablets, eliminating the need for multiple powder references
- ✓ Ignition rate of over 99% avoids material wastage
- ✓ Optimize stock rotation and eliminate obsolete stocks
- ✓ Decrease in mould wear due to lower thermal shock
- ✓ Does not absorb humidity, avoiding material losses
- ✓ Reduction in residual waste on site
- ✓ Facilitates last-minute project execution



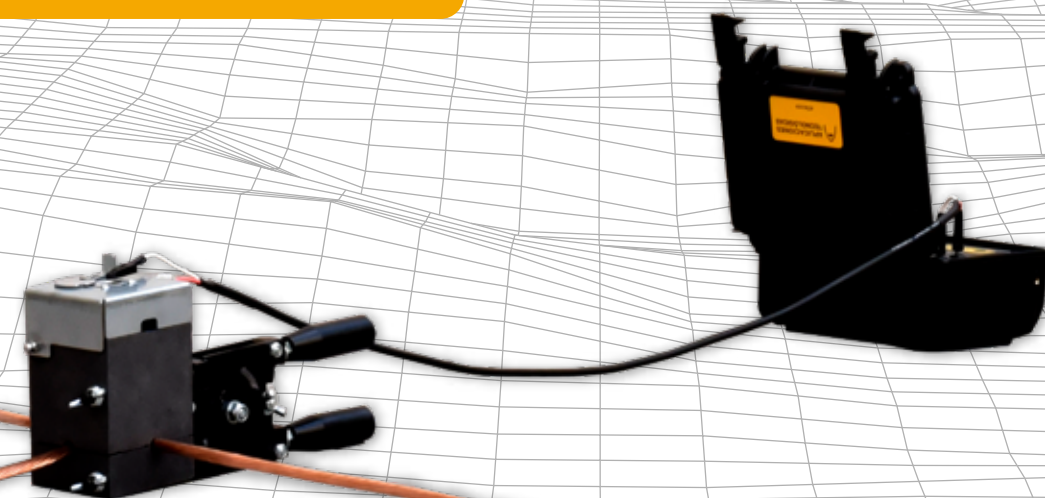
APLIWELD® Secure+ Establishes a new standard in safety surpassing the technical & risk limitations of other weld formats.

The tablets and ignition caps of **APLIWELD® Secure+** contain no flammable material (ignition temperature above 900°C). This characteristic, along with the remote electronic ignition activated via bluetooth, avoids:

- ✓ Risk of projections and burns
- ✓ Risk of accidental ignitions
- ✓ Risks in material storage



**NON-FLAMMABLE
NON-EXPLOSIVE**

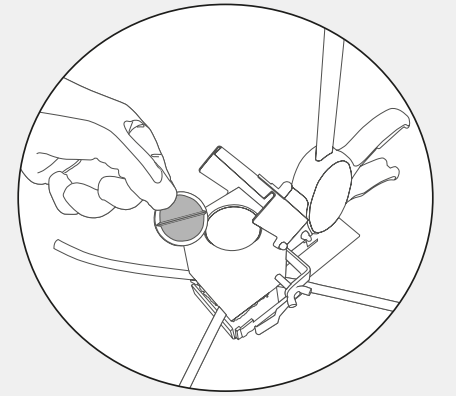


Safe and easy procedure

APLIWELD®-T
Welding compound in tablets



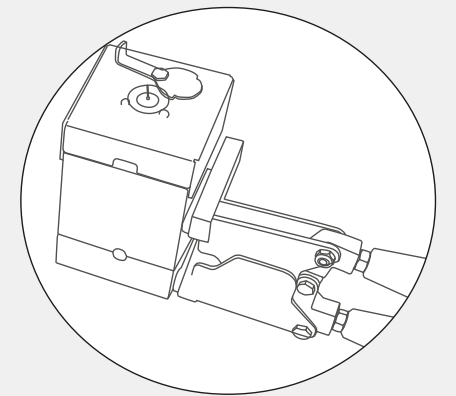
1 Insert the tablets
APLIWELD®-T



APLIWELD®-E
Electronic starter



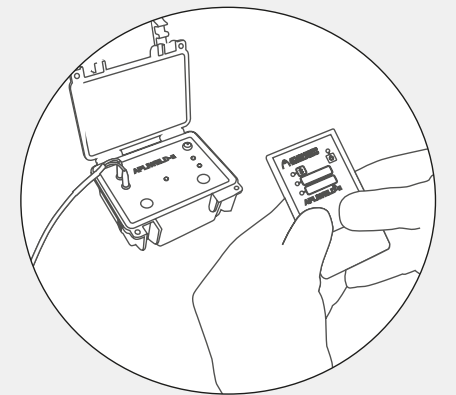
2 Place and connect
the electronic starter
APLIWELD®-E



Kit **APLIWELD®-E** Electronic
starting device



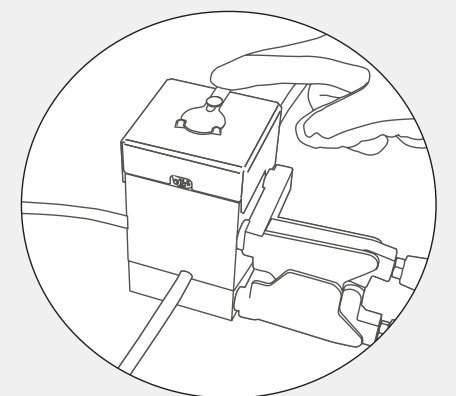
3 Press both push-buttons
on ignition device
or Bluetooth remote
at the same time

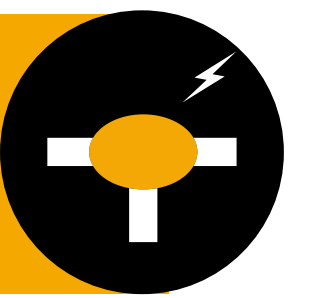


RESULTS - Final weld



4 Remove the completed
joint from the GRAPHITE
MOULD





APLIWELD® Secure+ Selector is the new specification tool for any project with exothermic welding.

CLICK HERE TO ACCESS THE SOFTWARE

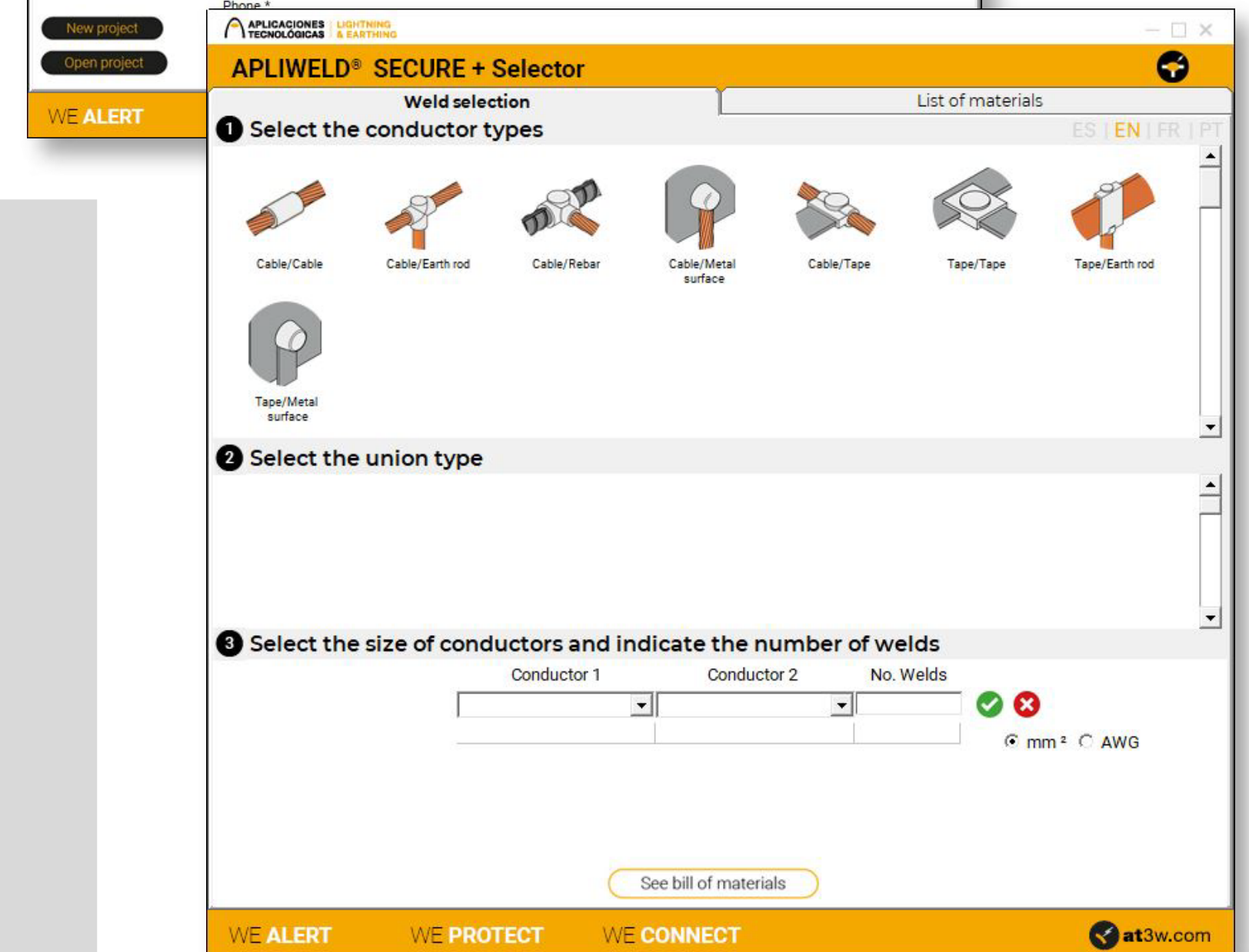
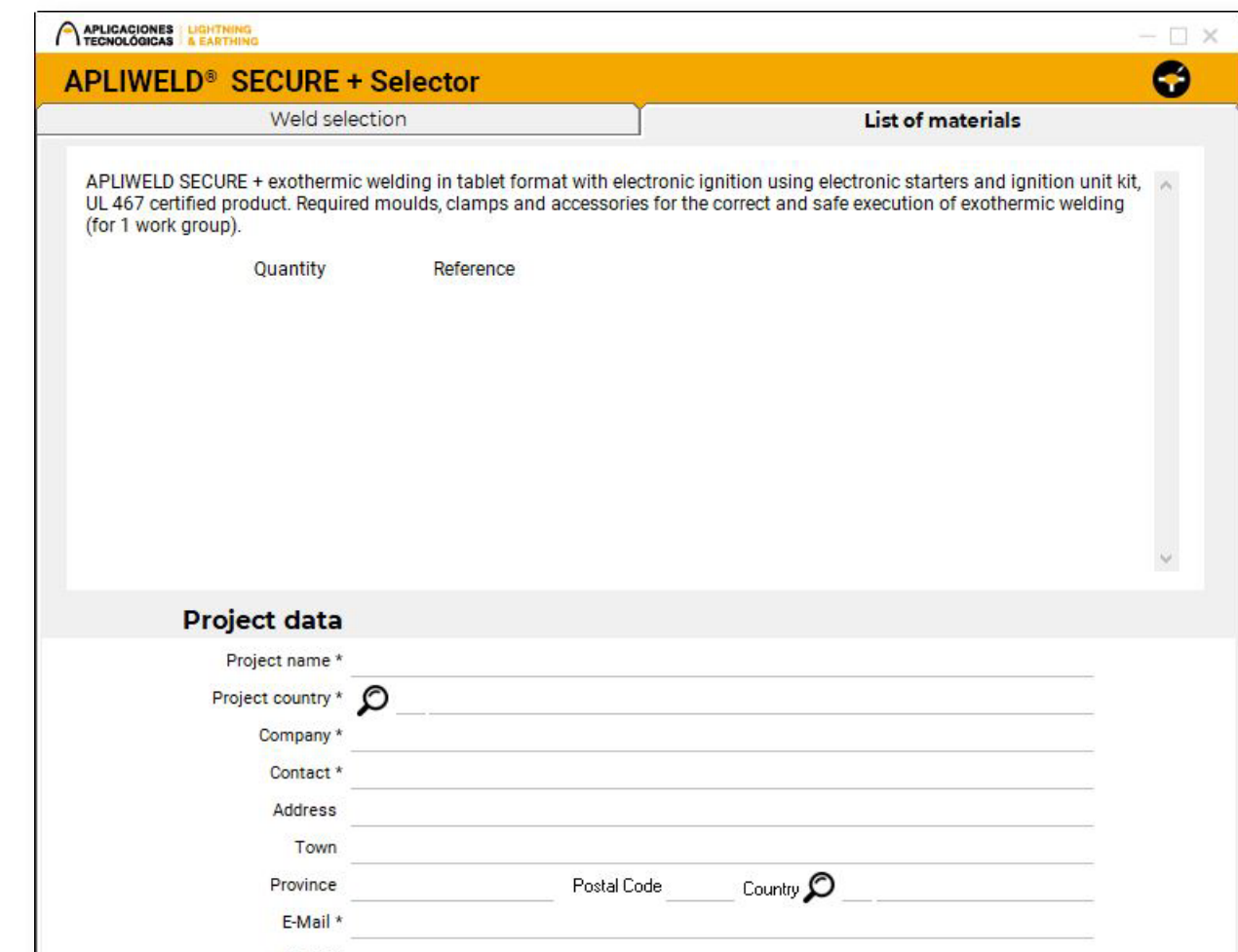
VIDEO APLIWELD SECURE PLUS

VIDEO MULTIPLE MOULD

VIDEO SPECIFIC MOULD

APLIWELD® Secure+ Selector provides the references and quantities of material required through a simple process:

- ✓ Select the type/s of conductors
- ✓ Select the union type
- ✓ Indicate:
 - Measurement system (mm² / AWG)
 - Section of each conductor
 - Number of welds
- ✓ The software provides a complete list of materials and specification texts for your project





LOCAL STORM
DETECTION



AIR TERMINALS
AND ACCESSORIES



EARTHING



EXOTHERMIC
WELDING



TRANSIENT
OVERVOLTAGES



PERMANENT
OVERVOLTAGES



APLICACIONES
TECNOLÓGICAS | LIGHTNING
& EARTHING



APLICACIONES TECNOLÓGICAS S.A.

Parque Tecnológico of Valencia

 C/Nicolás Copérnico St., 4 - 46980 Paterna (Valencia), SPAIN.

 (+34)961 318 250  atsa@at3w.com  at3w.com

Follow us:

