









Cable Glands for All Types of Armoured Cables

ORION UNIVERSAL



| Technical Details | |
|---|---|
| Material | Body, Cap Brass, Brass Nickel Plated, Stainless Steel, Aluminium Inner Part Brass, Brass Nickel Plated, Stainless Steel, Aluminium Seal CR (Chloroprene), Silicone O-ring CR (Chloroprene), Silicone |
| Ingress Protection Rating | IP 68 - 5 Bar, 30 min IP 66 |
| Operating Temperature | Seal Material CR (Chloroprene) -40°C to +100°C Silicone -60°C to +130°C |
| Standard | -40°C to +100°C |
| LT Type | -40°C to +80°C |
| Equipment For | Gas & Dust potentially explosive atmospheres |
| Suitable for use in | Group II Gas Group IIC ZONE1/ZONE2 Group III Dust Group IIIC ZONE21/ZONE 22 |
| Equipment Marking | Ex II 2GD Ex db IIC Gb Ex eb IIC Gb Ex tb IIIC Db |
| Marking Example * | BMD KBAU.. CE 0722  II 2GD Ex db IIC Gb Ex eb IIC Gb Ex tb IIIC Db Ta-60°C +130°C IP66/68 CESI 13 ATEX 033X IECEx CES 13.0013X |
| Thread Type | <ul style="list-style-type: none"> • Metric (M) ISO Pitch 1,5 • NPT (N) ANSI ASME B1.20.1 • Other thread types also available upon request. |
| Cable Type | SWA - SWB - STA - PWA - AWA - Shielded |
| Accessories | <ul style="list-style-type: none"> • Lock nuts • Gaskets (Washers) • Serrated Washers • Shrouds • Earth tags |
| Remarks | <ul style="list-style-type: none"> • O-ring available in Metric outer threads. • Accessories must be ordered separately. |
| Approvals | Certificate Number Standards |
|  | CESI 13 ATEX 033X EN 60079-0:2012+A11:2013 EN 60079-1:2014 EN 60079-7:2015 EN 60079-31:2014 |
|  | IECEx CES 13.0013X IEC 60079-0:2011 Edition:6 IEC 60079-1:2014 Edition:7 IEC 60079-31:2013 Edition:2 IEC 60079-7:2015-08 Edition:5 |
|  | 20150612-E474828 20170315-E199260 UL 2225, CAN/CSA-C22.2 No. 60079-0:11 CAN/CSA C22.2 No. 60079-7:12 CAN/CSA-C22.2 No. 60079-31:12 UL 514B UL 50E |
|  | № TC RU C-TR.AA87.B.00941 ГОСТ 31610.0-2014 ГОСТ IEC 60079-1:2013 ГОСТ IEC 60079-31:2013 |
|  | DNV 12.0053 X ABNT NBR IEC 60079-0:2013, ABNT NBR IEC 60079-1:2009, ABNT NBR IEC 60079-7:2008, ABNT NBR IEC 60079-31:2011 |
|  | E-14044 IEC/EN60079-0, IEC/EN60079-7, IEC/EN60079-31 IEC/EN60079-1, IEC/EN 62444 |
|  | MASC MS/18-0240X SANS (IEC) 60079-0 : 2011 SANS (IEC) 60079-1 : 2014 SANS (IEC) 60079-7 : 2007 SANS (IEC) 60079-31 : 2014 |

-For more information see our webpage.

* The standard marking consists ATEX & IECEx only. Marking acc. to other standards on request.

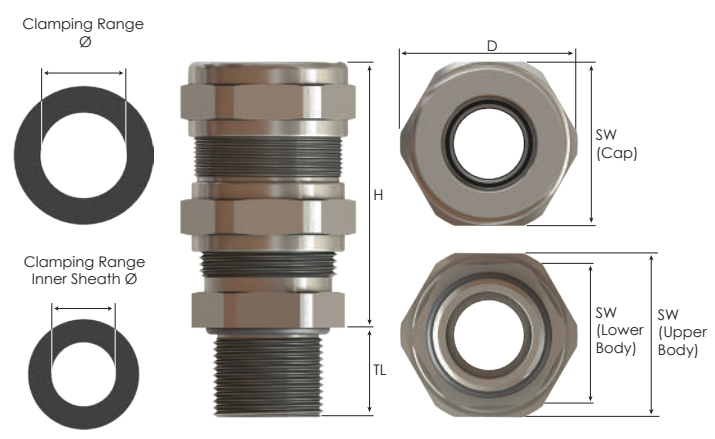


With armour reduction cone it can be used for shielded, SWB and STA cable. When armour reduction cone is taken out it can be used for armoured SWA and AWA cables.

| Order Coding | | | | | | | | |
|-------------------|--|-----------------------------|---|---------------------|------------|----------|-------------|--|
| Part Number | Material | Seal | Gasket (Washer) | Serrated Washer | Lock Nut | Shroud | Earth Tag | |
| Mandatory | Mandatory | Mandatory | - Option | Option | Option | Option | Option | |
| See table | B Brass BN Brass nickel plated X Stainless steel 316L A Aluminium | C Chloroprene S Silicone | - WC Chloroprene WS Silicone WF Fiber | WSR Serrated washer | L Lock nut | S Shroud | E Earth tag | |
| Example KBAU4M | BN | S | - WC | WSR | L | S | E | |

ORION UNIVERSAL

Cable Glands for All Types of Armoured Cables



Thread Type **METRIC** acc. to ISO 965 - 3

| Outer Thread Size (Male) | Clamping Range | | Armour Wire Ø min-max mm | Shield Wire Ø min-max mm | Outer Thread Length TL mm | Cap SW Cap mm | Spanner Width | | Outer Ø D mm | max. Height H mm | Part Number |
|--------------------------|---------------------------|--------------|--------------------------|--------------------------|---------------------------|---------------|-----------------------------|-----------------------------|--------------|------------------|-------------|
| | Inner Sheath Ø min-max mm | Ø min-max mm | | | | | Upper Body SW Upper Body mm | Lower Body SW Lower Body mm | | | |
| M12x1,5 | 3,0 - 7,5 | 6,0 - 12,0 | 0,70 - 1,20 | 0,2 - 0,5 | 15,0 | 26 | 26 | 22 | 29,0 | 50,5 | KBAU0SLM |
| M16x1,5 | 3,0 - 8,5 | 6,0 - 12,0 | 0,70 - 1,20 | 0,2 - 0,5 | 16,0 | 26 | 26 | 22 | 29,0 | 49,5 | KBAU015M |
| | 6,0 - 12,0 | 8,5 - 16,0 | 0,70 - 1,25 | 0,2 - 0,5 | 16,0 | 29 | 29 | 25 | 31,5 | 52,0 | KBAU01M |
| M20x1,5 | 3,0 - 8,5 | 6,0 - 12,0 | 0,70 - 1,20 | 0,2 - 0,5 | 16,0 | 26 | 26 | 24 | 29,0 | 50,0 | KBAU1SM |
| | 6,0 - 12,0 | 8,5 - 16,0 | 0,70 - 1,25 | 0,2 - 0,5 | 16,0 | 29 | 29 | 25 | 31,5 | 51,5 | KBAU1M |
| | 8,5 - 14,5 | 12,0 - 20,0 | 0,90 - 1,30 | 0,2 - 0,5 | 16,0 | 32 | 30 | 28 | 35,0 | 54,0 | KBAU1LM |
| M25x1,5 | 3,0 - 8,5 | 6,0 - 12,0 | 0,70 - 1,20 | 0,2 - 0,5 | 18,0 | 26 | 26 | 29 | 31,5 | 50,0 | KBAU2XSM |
| | 6,0 - 12,0 | 8,5 - 16,0 | 0,70 - 1,25 | 0,2 - 0,5 | 18,0 | 29 | 29 | 29 | 31,5 | 52,5 | KBAU2SM |
| | 8,5 - 16,0 | 12,0 - 21,0 | 0,70 - 1,20 | 0,5 - 0,7 | 18,0 | 34 | 34 | 32 | 37,0 | 56,5 | KBAU2M |
| | 12,0 - 20,0 | 16,0 - 26,0 | 1,30 - 1,70 | 0,2 - 0,5 | 18,0 | 40 | 40 | 36 | 44,0 | 63,0 | KBAU2LM |
| M32x1,5 | 6,0 - 12,0 | 8,5 - 16,0 | 0,70 - 1,25 | 0,2 - 0,5 | 18,0 | 29 | 29 | 36 | 39,8 | 52,5 | KBAU3XSM |
| | 12,0 - 20,0 | 16,0 - 26,0 | 1,30 - 1,70 | 0,2 - 0,5 | 18,0 | 40 | 40 | 40 | 44,0 | 64,0 | KBAU3SM |
| | 15,0 - 26,0 | 20,0 - 33,0 | 1,20 - 1,80 | 0,2 - 0,8 | 18,0 | 52 | 52 | 48 | 57,0 | 81,0 | KBAU3M |
| M40x1,5 | 12,0 - 20,0 | 16,0 - 26,0 | 1,30 - 1,70 | 0,2 - 0,5 | 18,0 | 40 | 40 | 45 | 50,0 | 64,0 | KBAU4XSM |
| | 15,0 - 26,0 | 20,0 - 33,0 | 1,20 - 1,80 | 0,2 - 0,8 | 18,0 | 52 | 52 | 48 | 57,0 | 81,0 | KBAU4SM |
| | 20,0 - 32,0 | 29,0 - 41,0 | 1,60 - 2,20 | 0,2 - 0,8 | 18,0 | 60 | 60 | 55 | 66,0 | 92,0 | KBAU4M |
| M50x1,5 | 15,0 - 26,0 | 20,0 - 33,0 | 1,20 - 1,80 | 0,2 - 0,8 | 18,0 | 52 | 52 | 54 | 60,0 | 81,0 | KBAU5XSM |
| | 20,0 - 32,0 | 29,0 - 41,0 | 1,60 - 2,20 | 0,2 - 0,8 | 18,0 | 60 | 60 | 55 | 66,0 | 92,0 | KBAU5SM |
| | 22,0 - 35,0 | 33,0 - 48,0 | 2,00 - 2,80 | 0,2 - 1,0 | 18,0 | 75 | 70 | 60 | 83,0 | 100,0 | KBAU5SM |
| | 27,0 - 41,0 | 36,0 - 52,0 | 1,80 - 2,80 | 0,3 - 1,4 | 18,0 | 74 | 70 | 70 | 81,8 | 104,5 | KBAU5M |
| M63x1,5 | 22,0 - 35,0 | 33,0 - 48,0 | 2,00 - 2,80 | 0,2 - 1,0 | 20,0 | 75 | 70 | 68 | 83,0 | 100,0 | KBAU6XSM |
| | 27,0 - 41,0 | 36,0 - 52,0 | 1,80 - 2,80 | 0,3 - 1,4 | 20,0 | 74 | 70 | 70 | 81,8 | 104,5 | KBAU6XMM |
| | 35,0 - 45,0 | 43,0 - 57,0 | 1,80 - 2,80 | 0,3 - 1,0 | 20,0 | 80 | 80 | 75 | 89,5 | 109,5 | KBAU6SM |
| | 40,0 - 52,0 | 47,0 - 60,0 | 1,80 - 2,80 | 0,6 - 1,5 | 20,0 | 85 | 85 | 85 | 94,0 | 111,5 | KBAU6M |
| M75x1,5 | 35,0 - 45,0 | 43,0 - 57,0 | 1,80 - 2,80 | 0,3 - 1,0 | 20,0 | 80 | 80 | 85 | 94,0 | 109,5 | KBAU7XSM |
| | 40,0 - 52,0 | 47,0 - 60,0 | 1,80 - 2,80 | 0,6 - 1,5 | 20,0 | 85 | 85 | 85 | 94,0 | 111,5 | KBAU7SM |
| | 45,0 - 60,0 | 54,0 - 70,0 | 1,00 - 2,30 | 0,2 - 1,2 | 20,0 | 100 | 95 | 90 | 110,5 | 127,5 | KBAU7M |
| M90x1,5 | 40,0 - 52,0 | 47,0 - 60,0 | 1,80 - 2,80 | 0,6 - 1,5 | 20,0 | 85 | 85 | 100 | 110,5 | 111,5 | KBAU8XSM |
| | 45,0 - 60,0 | 54,0 - 70,0 | 1,00 - 2,30 | 0,2 - 1,2 | 20,0 | 100 | 95 | 95 | 110,5 | 127,5 | KBAU8SM |
| | 60,0 - 72,0 | 63,0 - 80,0 | 1,00 - 3,50 | 0,2 - 1,9 | 20,0 | 115 | 115 | 110 | 127,0 | 158,0 | KBAU8M |
| M110x1,5 | 45,0 - 60,0 | 54,0 - 70,0 | 1,00 - 2,30 | 0,2 - 1,2 | 20,0 | 100 | 95 | 120 | 128,0 | 127,5 | KBAU10SM |
| | 60,0 - 72,0 | 63,0 - 80,0 | 1,00 - 3,50 | 0,2 - 1,9 | 20,0 | 115 | 115 | 120 | 128,0 | 158,0 | KBAU10M |

Thread Type **METRIC** acc. to ISO 965 - 3 (LT Type)

| Outer Thread Size (Male) | Clamping Range | | Armour Wire Ø min-max mm | Shield Wire Ø min-max mm | Outer Thread Length TL mm | Cap SW Cap mm | Spanner Width | | Outer Ø D mm | max. Height H mm | Part Number |
|--------------------------|---------------------------|---------------|--------------------------|--------------------------|---------------------------|---------------|-----------------------------|-----------------------------|--------------|------------------|-------------|
| | Inner Sheath Ø min-max mm | Ø min-max mm | | | | | Upper Body SW Upper Body mm | Lower Body SW Lower Body mm | | | |
| M90x2,0 | 70,0 - 82,0 | 78,0 - 90,0 | 1,5 - 4,4 | 0,2 - 2,4 | 20,0 | 120 | 120 | 120 | 134,0 | 159,5 | KBAU8MLT |
| M100x2,0 | 80,0 - 92,0 | 88,0 - 100,0 | 1,2 - 4,0 | 0,2 - 2,2 | 20,0 | 135 | 135 | 135 | 150,0 | 169,0 | KBAU9SMLT |
| M110x2,0 | 90,0 - 101,0 | 98,0 - 110,0 | 2,1 - 5,4 | 0,2 - 3,1 | 20,0 | 145 | 145 | 145 | 162,0 | 180,0 | KBAU10MLT |
| M130x2,0 | 100,0 - 115,0 | 109,0 - 123,0 | 2,0 - 5,4 | 0,2 - 3,0 | 24,0 | 160 | 160 | 160 | 176,0 | 202,0 | KBAU13MLT |

Cable Glands for All Types of Armoured Cables

ORION UNIVERSAL



| Technical Details | |
|----------------------------------|---|
| Material | Body, Cap Brass, Brass Nickel Plated, Stainless Steel, Aluminium Inner Part Brass, Brass Nickel Plated, Stainless Steel, Aluminium Seal CR (Chloroprene), Silicone O-ring CR (Chloroprene), Silicone |
| Ingress Protection Rating | IP 68 - 5 Bar, 30 min IP 66 |
| Operating Temperature | Seal Material CR (Chloroprene) -40°C to +100°C Silicone -60°C to +130°C |
| Standard | -40°C to +100°C |
| LT Type | -40°C to +80°C |
| Equipment For | Gas & Dust potentially explosive atmospheres |
| Suitable for use in | Group II Gas Group IIC ZONE1/ZONE2 Group III Dust Group IIIC ZONE21/ZONE 22 |
| Equipment Marking | Ex II 2GD Ex db IIC Gb Ex eb IIC Gb Ex tb IIIC Db |
| Marking Example * | BMD KBAU.. CE 0722 II 2GD Ex db IIC Gb Ex eb IIC Gb Ex tb IIIC Db Ta-60°C +130°C IP66/68 CESI 13 ATEX 033X IECEx CES 13.0013X |
| Thread Type | <ul style="list-style-type: none"> • Metric (M) ISO Pitch 1,5 • NPT (N) ANSI ASME B1.20.1 • Other thread types also available upon request. |
| Cable Type | SWA - SWB - STA - PWA - AWA - Shielded |
| Accessories | <ul style="list-style-type: none"> • Lock nuts • Gaskets (Washers) • Serrated Washers • Shrouds • Earth tags |
| Remarks | <ul style="list-style-type: none"> • O-ring available in Metric outer threads. • Accessories must be ordered separately. |
| Approvals | Certificate Number Standards |
| | CESI 13 ATEX 033X EN 60079-0:2012+A11:2013 EN 60079-1:2014 EN 60079-7:2015 EN 60079-31:2014 |
| | IECEx CES 13.0013X IEC 60079-0:2011 Edition:6 IEC 60079-1:2014 Edition:7 IEC 60079-31:2013 Edition:2 IEC 60079-7:2015-08 Edition:5 |
| | 20150612-E474828 UL 2225, CAN/CSA-C22.2 No. 60079-0:11 CAN/CSA C22.2 No. 60079-7:12 CAN/CSA-C22.2 No. 60079-31:12 |
| | 20170315-E199260 UL 514B UL 50E |
| | № TC RU C-TR.AA87.B.00941 GOCT 31610.0-2014 GOCT IEC 60079-1:2013 GOCT IEC 60079-31:2013 |
| | DNV 12.0053 X ABNT NBR IEC 60079-0:2013, ABNT NBR IEC 60079-1:2009, ABNT NBR IEC 60079-7:2008, ABNT NBR IEC 60079-31:2011 |
| | E-14044 IEC/EN60079-0, IEC/EN60079-7, IEC/EN60079-31 IEC/EN60079-1, IEC/EN 62444 |
| | MASC MS/18-0240X SANS (IEC) 60079-0 : 2011 SANS (IEC) 60079-1 : 2014 SANS (IEC) 60079-7 : 2007 SANS (IEC) 60079-31 : 2014 |



With armour reduction cone it can be used for shielded, SWB and STA cable. When armour reduction cone is taken out it can be used for armoured SWA and AWA cables.

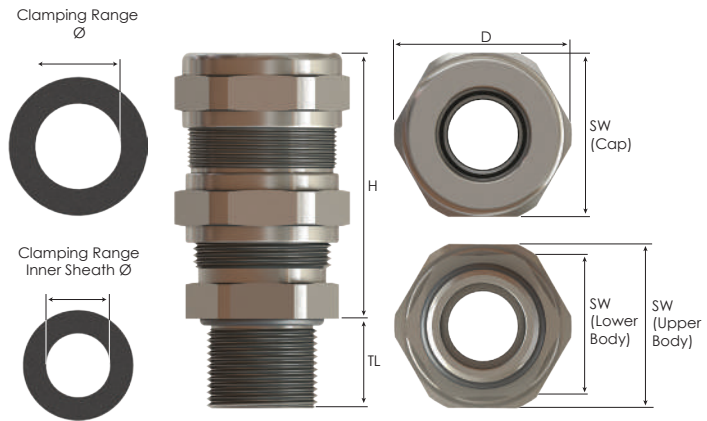
-For more information see our webpage.

* The standard marking consists ATEX & IECEx only. Marking acc. to other standards on request.

| Order Coding | | | | | | | | |
|--------------|--|-----------------------------|---|---|---------------------|------------|----------|-------------|
| Part Number | Material | Seal | - | Gasket (Washer) | Serrated Washer | Lock Nut | Shroud | Earth Tag |
| Mandatory | Mandatory | Mandatory | - | Option | Option | Option | Option | Option |
| See table | B Brass BN Brass nickel plated X Stainless steel 316L A Aluminium | C Chloroprene S Silicone | - | WC Chloroprene WS Silicone WF Fiber | WSR Serrated washer | L Lock nut | S Shroud | E Earth tag |
| Example | KBAU4M | BN | S | WC | WSR | L | S | E |

ORION UNIVERSAL

Cable Glands for All Type of Armoured Cables



Thread Type **NPT** acc. to ANSI ASME B1.20.1

| Outer Thread Size (Male) | Clamping Range | | Armour Wire Ø min - max mm | Shield Wire Ø min - max mm | Outer Thread Length TL mm | Cap SW Cap mm | Spanner Width | | Outer Ø D mm | max. Height H mm | Part Number |
|--------------------------|--------------------------------|----------------|-------------------------------|-------------------------------|------------------------------|------------------|--------------------------------|--------------------------------|-----------------|---------------------|-------------|
| | Inner Sheath Ø min - max mm | Ø min - max mm | | | | | Upper Body SW Upper Body mm | Lower Body SW Lower Body mm | | | |
| NPT 1/4" | 3,0 - 8,0 | 6,0 - 12,0 | 0,70 - 1,20 | 0,2 - 0,5 | 15,0 | 26 | 26 | 22 | 29,0 | 50,0 | KBAU0SLN |
| NPT 3/8" | 3,0 - 8,5 | 6,0 - 12,0 | 0,70 - 1,20 | 0,2 - 0,5 | 16,0 | 26 | 26 | 22 | 29,0 | 49,5 | KBAU01SN |
| | 6,0 - 12,0 | 8,5 - 16,0 | 0,70 - 1,25 | 0,2 - 0,5 | 16,0 | 29 | 29 | 25 | 31,5 | 52,0 | KBAU01N |
| NPT 1/2" | 3,0 - 8,5 | 6,0 - 12,0 | 0,70 - 1,20 | 0,2 - 0,5 | 16,0 | 26 | 26 | 24 | 29,0 | 49,5 | KBAU1SN |
| | 6,0 - 12,0 | 8,5 - 16,0 | 0,70 - 1,25 | 0,2 - 0,5 | 16,0 | 29 | 29 | 25 | 31,5 | 51,0 | KBAU1N |
| | 8,5 - 14,5 | 12,0 - 20,0 | 0,90 - 1,30 | 0,2 - 0,5 | 16,0 | 32 | 30 | 28 | 35,0 | 54,0 | KBAU1LN |
| NPT 3/4" | 3,0 - 8,5 | 6,0 - 12,0 | 0,70 - 1,20 | 0,2 - 0,5 | 16,0 | 26 | 26 | 29 | 31,5 | 50,0 | KBAU2XSN |
| | 6,0 - 12,0 | 8,5 - 16,0 | 0,70 - 1,25 | 0,2 - 0,5 | 18,0 | 29 | 29 | 29 | 31,5 | 52,5 | KBAU2SN |
| | 8,5 - 16,0 | 12,0 - 21,0 | 0,70 - 1,20 | 0,5 - 0,7 | 16,0 | 34 | 34 | 32 | 37,0 | 56,5 | KBAU2N |
| | 12,0 - 20,0 | 16,0 - 26,0 | 1,30 - 1,70 | 0,2 - 0,5 | 16,0 | 40 | 40 | 36 | 44,0 | 62,5 | KBAU2LN |
| NPT 1" | 6,0 - 12,0 | 8,5 - 16,0 | 0,70 - 1,25 | 0,2 - 0,5 | 21,0 | 29 | 29 | 36 | 39,8 | 52,5 | KBAU3XSN |
| | 12,0 - 20,0 | 16,0 - 26,0 | 1,30 - 1,70 | 0,2 - 0,5 | 21,0 | 40 | 40 | 40 | 44,0 | 64,0 | KBAU3SN |
| | 15,0 - 26,0 | 20,0 - 33,0 | 1,20 - 1,80 | 0,2 - 0,8 | 21,0 | 52 | 52 | 48 | 57,0 | 80,5 | KBAU3N |
| NPT 1 1/4" | 12,0 - 20,0 | 16,0 - 26,0 | 1,30 - 1,70 | 0,2 - 0,5 | 21,0 | 40 | 40 | 45 | 50,0 | 64,0 | KBAU4XSN |
| | 15,0 - 26,0 | 20,0 - 33,0 | 1,20 - 1,80 | 0,2 - 0,8 | 21,0 | 52 | 52 | 48 | 57,0 | 81,0 | KBAU4SN |
| | 20,0 - 32,0 | 29,0 - 41,0 | 1,60 - 2,20 | 0,2 - 0,8 | 18,0 | 60 | 60 | 55 | 66,0 | 92,0 | KBAU4N |
| NPT 1 1/2" | 15,0 - 26,0 | 20,0 - 33,0 | 1,20 - 1,80 | 0,2 - 0,8 | 21,0 | 52 | 52 | 54 | 60,0 | 81,0 | KBAU5XSN |
| | 20,0 - 32,0 | 29,0 - 41,0 | 1,60 - 2,20 | 0,2 - 0,8 | 21,0 | 60 | 60 | 55 | 66,0 | 92,0 | KBAU5XMN |
| | 22,0 - 35,0 | 33,0 - 48,0 | 2,00 - 2,80 | 0,2 - 1,0 | 21,0 | 75 | 70 | 60 | 83,0 | 100,0 | KBAU5SN |
| | 27,0 - 41,0 | 36,0 - 52,0 | 1,80 - 2,80 | 0,3 - 1,4 | 21,0 | 74 | 70 | 70 | 81,8 | 104,5 | KBAU5N |
| NPT 2" | 22,0 - 35,0 | 33,0 - 48,0 | 2,00 - 2,80 | 0,2 - 1,0 | 21,0 | 75 | 70 | 68 | 83,0 | 100,0 | KBAU6XSN |
| | 27,0 - 41,0 | 36,0 - 52,0 | 1,80 - 2,80 | 0,3 - 1,4 | 21,0 | 74 | 70 | 70 | 81,8 | 104,5 | KBAU6XMN |
| | 35,0 - 45,0 | 43,0 - 57,0 | 1,80 - 2,80 | 0,3 - 1,0 | 20,0 | 80 | 80 | 75 | 89,5 | 109,5 | KBAU6SN |
| | 40,0 - 52,0 | 47,0 - 60,0 | 1,80 - 2,80 | 0,6 - 1,5 | 21,0 | 85 | 85 | 85 | 94,0 | 111,5 | KBAU6N |
| NPT 2 1/2" | 35,0 - 45,0 | 43,0 - 57,0 | 1,80 - 2,80 | 0,3 - 1,0 | 21,0 | 80 | 80 | 80 | 89,5 | 109,0 | KBAU7XSN |
| | 40,0 - 52,0 | 47,0 - 60,0 | 1,80 - 2,80 | 0,6 - 1,5 | 21,0 | 85 | 85 | 85 | 94,0 | 111,5 | KBAU7SN |
| | 45,0 - 60,0 | 54,0 - 70,0 | 1,00 - 2,30 | 0,2 - 1,2 | 20,0 | 100 | 95 | 90 | 110,5 | 127,5 | KBAU7N |
| NPT 3" | 40,0 - 52,0 | 47,0 - 60,0 | 1,80 - 2,80 | 0,6 - 1,5 | 21,0 | 85 | 85 | 95 | 105,0 | 111,5 | KBAU8XSN |
| | 45,0 - 60,0 | 54,0 - 70,0 | 1,00 - 2,30 | 0,2 - 1,2 | 21,0 | 100 | 95 | 95 | 110,5 | 127,5 | KBAU8SN |
| | 60,0 - 72,0 | 63,0 - 80,0 | 1,00 - 3,50 | 0,2 - 1,9 | 21,0 | 115 | 115 | 110 | 127,0 | 158,0 | KBAU8N |
| NPT 3 1/2" | 45,0 - 60,0 | 54,0 - 70,0 | 1,00 - 2,30 | 0,2 - 1,2 | 21,0 | 100 | 95 | 110 | 123,0 | 127,5 | KBAU9SN |
| | 60,0 - 72,0 | 63,0 - 80,0 | 1,00 - 3,50 | 0,2 - 1,9 | 21,0 | 115 | 115 | 110 | 127,0 | 158,0 | KBAU9N |

Thread Type **NPT** acc. to ANSI ASME B1.20.1 (LT Type)

| Outer Thread Size (Male) | Clamping Range | | Armour Wire Ø min - max mm | Shield Wire Ø min - max mm | Outer Thread Length TL mm | Cap SW Cap mm | Spanner Width | | Outer Ø D mm | max. Height H mm | Part Number |
|--------------------------|--------------------------------|----------------|-------------------------------|-------------------------------|------------------------------|------------------|--------------------------------|--------------------------------|-----------------|---------------------|-------------|
| | Inner Sheath Ø min - max mm | Ø min - max mm | | | | | Upper Body SW Upper Body mm | Lower Body SW Lower Body mm | | | |
| NPT 3 1/2" | 70,0 - 82,0 | 78,0 - 90,0 | 1,5 - 4,4 | 0,2 - 2,4 | 45,0 | 120 | 120 | 120 | 134,0 | 159,5 | KBAU9MNL |
| NPT 4" | 80,0 - 92,0 | 88,0 - 100,0 | 1,2 - 4,0 | 0,2 - 2,2 | 46,0 | 135 | 135 | 135 | 150,0 | 169,0 | KBAU10SNLT |
| | 90,0 - 101,0 | 98,0 - 110,0 | 2,1 - 5,4 | 0,2 - 3,1 | 46,0 | 145 | 145 | 145 | 162,0 | 180,0 | KBAU10NLT |
| NPT 5" | 100,0 - 115,0 | 109,0 - 123,0 | 2,0 - 5,4 | 0,2 - 3,0 | 48,0 | 160 | 160 | 160 | 176,0 | 202,0 | KBAU11SNLT |