

# A Series

## LED Explosion Proof Light



A2



A



A3



A4

### Certifications:

- ◆ Marking ATEX
- ◆ II 3G Ex ec IIC T6...T3 Gc  
II 2D Ex tb IIIC T85°C...T103°C Db
- ◆ Marking IECEX
- ◆ Ex ec IIC T6...T3 Gc  
Ex tb IIIC T85°C...T100°C Db
- ◆ UL 844 Hazardous Locations
- ◆ Class I, Division 2, Groups A, B, C, D
- ◆ Class II, Division 1, Groups E, F, G
- ◆ Class II, Division 2, Groups F, G
- ◆ Class III
- ◆ UL 1598 Suitable for Wet Locations
- ◆ UL 1598A Marine Outside Type
- ◆ ABS
- ◆ IP66

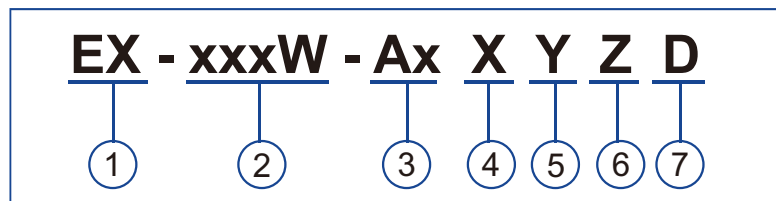
### Key Features:

- 1 Dimmable and battery backup function is available.
- 2 High-quality SMT LED and Meanwell driver.
- 3 Heavy-duty and high impact resistance.
- 4 Replaceable LED board and drivers.
- 5 Integrated junction box for driver.
- 6 Marine rating powder coated finish treatment.
- 7 Various installation ways for different applications.
- 8 Glass lens or polycarbonate lens for making different beam angles.
- 9 5-year warranty.
- 10 Low temperature applications to -40°C (-40°F) and high temperature up to 50°C (122°F).
- 11 IK10 (with metal guards)

### Standard Materials:

- ◆ Housing: Copper-free aluminum
- ◆ Lens: Tempered glass
- ◆ Hardware: Stainless steel
- ◆ Mounting Bracket: Stainless steel

### Catalog Number Logic:



1. Product Category	Explosion Proof Product
2. Wattage	20W-400W
3. Product Series	A2, A, A3 and A4
4. Dimming Option	D=Dimmable; N=Non-dimmable
5. Color Temperature (CCT)	From 2200K to 7000K (22=2200K, ..., 70=7000K)
6. Beam Angle	D40=40°; D60=60°; D90=90°; D120=120°
7. Glass Type	A=blank: Flat glass; A=C: Spherical glass

# LED Explosion Proof Light - A Series

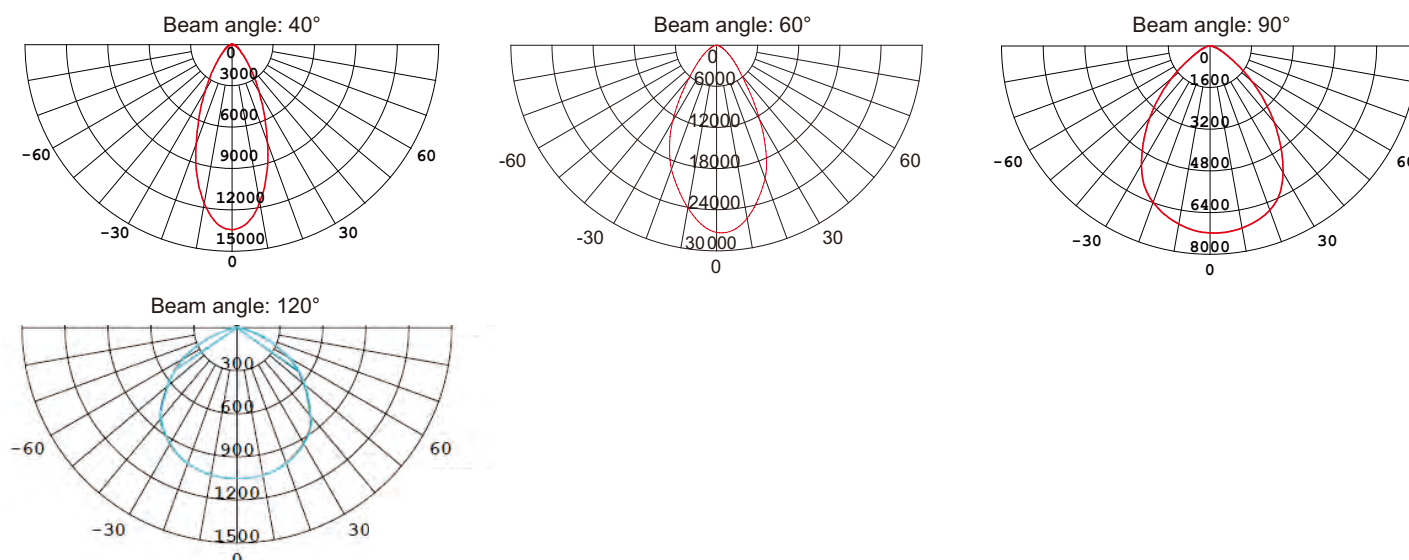
## Technical Data:

Model	Power	Working Temperature	Voltage	Lumens (lm)	Efficacy (lm/W)	Fixed Power in Emergency Mode	Fixed Lumens in Emergency Mode (lm)	CRI	CCT	Emergency Time
EX-20W A2XYZD	20W	65°C	AC100-277V/ DC12-36V	2,800	140	10W	1200	>70	2200K- 7000K	180 minutes
EX-40W A2XYZD	40W	55°C		5,600						
EX-60W A2XYZD	60W	40°C		8,400						
EX-30W AXYZD	30W	65°C	AC100-277V/ AC200-480V/ DC12-36V	4,200						
EX-50W AXYZD	50W	55°C		7,000						
EX-80W AXYZD	80W	40°C		11,200						
EX-100W AXYZD	100W	40°C		14,000						
EX-50W A3XYZD	50W	65°C		7,000						
EX-100W A3XYZD	100W	55°C		14,000						
EX-150W A3XYZD	150W	40°C	AC100-277V/ AC200-480V/ DC24-36V	21,000						
EX-180W A3XYZD	180W	40°C		25,200						
EX-200W A3XYZD	200W	40°C		28,000						
EX-80W A4XYZD	80W	65°C		11,200						
EX-150W A4XYZD	150W	60°C	AC100-277V/ AC200-480V/ DC12-36V	21,000						
EX-180W A4XYZD	180W	55°C		25,200						
EX-200W A4XYZD	200W	55°C		28,000						
EX-250W A4XYZD	250W	50°C		35,000						
EX-300W A4XYZD	300W	40°C		42,000						
EX-400W A4XYZD	400W	40°C		56,000						

## Packing Information:

Model	Quantity/Carton	Packing Size	Net Weight	Gross Weight
A 2	1 PC	365x270x305mm/14.37x10.63x12.01inch	4.15 kg/ 9.15 lb	5.3 kg/ 11.68 lb
A	1 PC	375x340x215mm/14.76x13.39x8.46inch	6.95 kg/ 15.32 lb	7.9 kg/ 17.42 lb
A3	1 PC	485x340x365mm/19.09x13.39x14.37inch	8.3 kg/ 18.30 lb	10.3 kg/ 22.71 lb
A4	1 PC	350x470x400mm/13.78x18.50x15.75inch	15.1 kg/ 33.29 lb	17 kg/ 37.48 lb

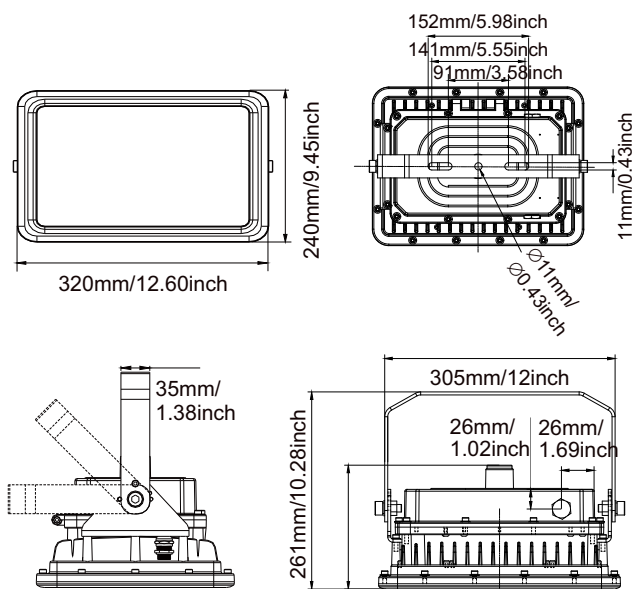
## Photometry:



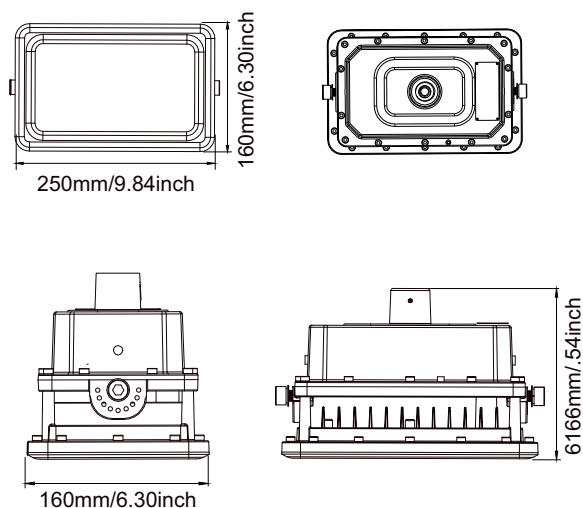
# LED Explosion Proof Light - A Series

Dimensions:

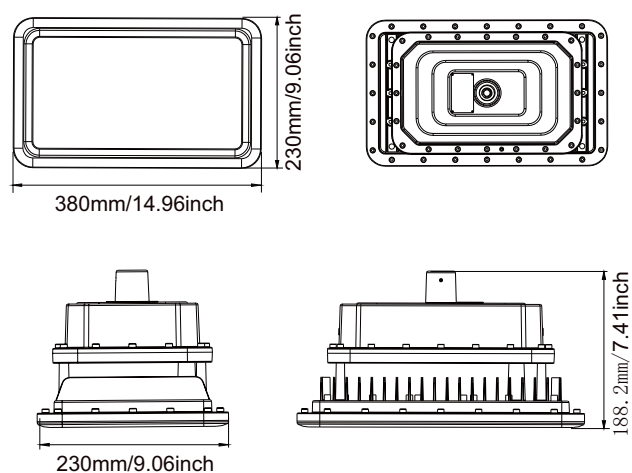
## A Series



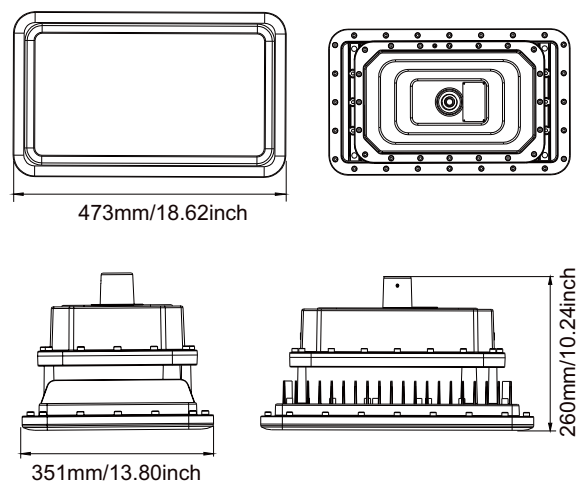
## A2 Series



## A3 Series



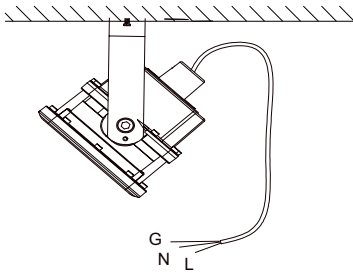
## A4 Series



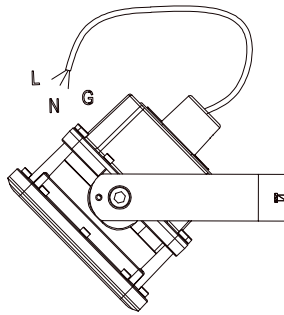
# LED Explosion Proof Light - A Series

## Mounting Methods:

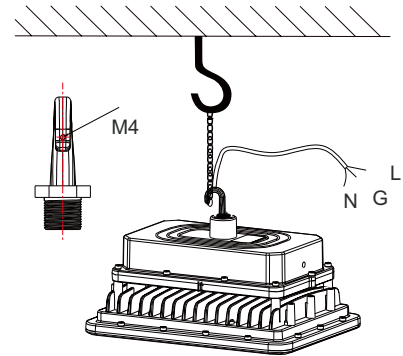
### ◆ Ceiling Mounting:



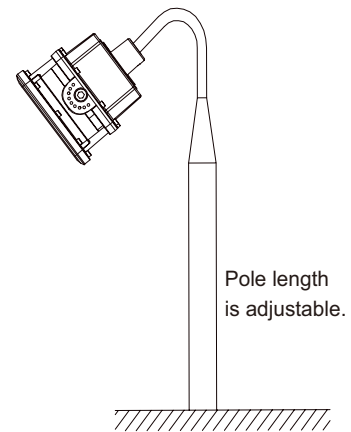
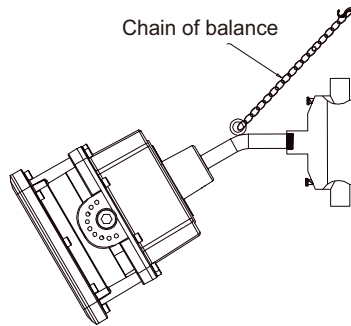
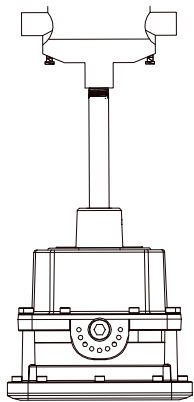
### ◆ Wall Mounting:



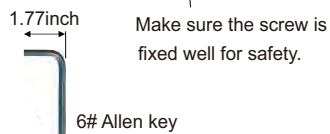
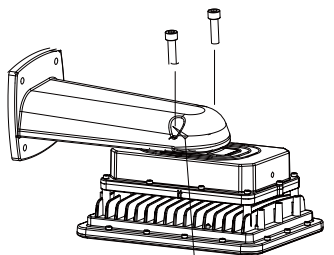
### ◆ Hook Mounting:



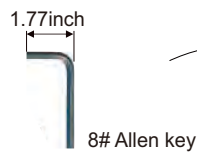
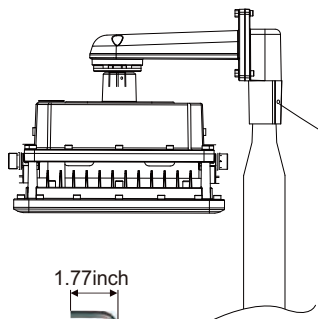
### ◆ Pole Mounting:



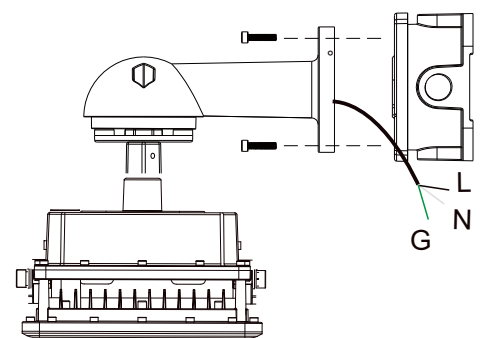
### ◆ Arm Mounting:



### ◆ Stanchion Mounting:



### ◆ Wall Mounting with Junction Box:



## LED Explosion Proof Light - A Series

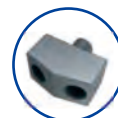
### Accessories:



- **Model: Ex-Junction Box**  
Name: Junction Box  
Material: Aircraft Aluminum A383



- **Model: Ex-25P Support**  
Name: 25° Pole Support  
Material: Aircraft Aluminum A383



- **Model: Ex-D01**  
Name: Pendant Direction Adapter  
Material: Aircraft Aluminum A383



- **Model: Ex-Bended Pipe**  
Name: Bended Pipe  
Material: Iron



- **Model: Ex-25J Support**  
Name: 25° Arm with Junction Box  
Material: Aircraft Aluminum A383



- **Model: Ex-90P Support**  
Name: 90° Pole Support  
Material: Aircraft Aluminum A383



- **Model: Ex-MArm**  
Name: Surface Mounting Arm  
Material: Aircraft Aluminum A383



- **Model: Ex-25A Support**  
Name: 25° Arm Support  
Material: Aircraft Aluminum A356



- **Model: Ex-DArm**  
Name: Direct Mounting Arm  
Material: Aircraft Aluminum A383



- **Model: Ex-90J Support**  
Name: 90° Arm with Junction Box  
Material: Aircraft Aluminum A383



- **Model: Ex-Conduit 01**  
Name: Metal Conduit  
Material: Stainless Steel and Aluminum



- **Model: Ex-Hook**  
Name: Installation Hook  
Material: Aircraft Aluminum A383



- **Model: Ex-90A Support**  
Name: 90° Arm Support  
Material: Aircraft Aluminum A356



- **Model: Ex-Straight Pipe**  
Name: Straight Pipe  
Material: Iron

### Applications:

- Oil and gas industry
  - All petroleum production and refining
  - Petroleum loading and transportation
  - Petroleum storage and retail
  - LNG industry
  - All mining operations and service
- Ocean, marine and aerospace field
  - Ocean platform operation facilities
  - Aerospace clean room and production
  - Ocean vessel operations
- Chemical industry
  - All types of paint facilities
  - Chemical production and storage
- Metal treatment
  - Steel and aluminum factories
  - Pumping stations in any environment
  - Metal smelting, foundry and fabrication
- Food and alcohol industry
  - Flour and fine particle production and storage
  - Food and distilling production
  - Alcohol industry
- Other high humidity, high dust, high temperature, vapor locations.