



# Explosion Proof Light Q Series



**Industrial Field & Hazardous Locations**

**VENAS**

**Venas Co.,Ltd**

Flat/Room 1101D, 11/F, Lippo Sun Plaza, 28 Canton Road, Tsim Sha Tsui, Kowloon, Hong Kong

[sales@venas.com](mailto:sales@venas.com)

[www.venas.com](http://www.venas.com)



# Applications

## Oil and Gas industry

- All petroleum production and refining
- Petroleum loading and transportation
- Petroleum storage and retail
- LNG industry

- All mining operations and service

## Chemical industry

- All types of paint facilities
- Chemical production and storage

## Ocean, marine and aerospace field

- Ocean platform operation facilities and structure
- Aerospace clean room and production
- Ocean vessel operations

## Metal treatment

- Steel and aluminum factories
- Pumping stations in any environment
- Metal smelting, foundry and fabrication

## Food and alcohol industry

- Flour and fine particle production and storage
- Food and distilling production
- Alcohol industry

Other high humidity, high dust, high temperature, vapor locations



# Explosion Protection



Marking ATEX



II 3G Ex nR IIC T6...T4 Gc

II 2D Ex tb IIIC T80°C...T130°C Db

Marking IECEX

Ex nR IIC T6...T4 Gc

Ex tb IIIC T80°C ...T130°C Db

Other Rating

IP 66

## Materials

- Housing: Aluminum
- Lens: Tempered Glass
- Mounting Bracket: Aluminum/SUS 304

## Features

- Working Temperature: -40°C ~ +60°C.
- High quality SMT LED and Meanwell Driver.
- Light-weight design by aluminum.
- Heavy-duty and high impact resistance.
- Round low bay lighting with motion sensor.
- Unique design enhance airflow for greater heat dissipation.
- Field installation in a few minutes.
- Isolated LED compartment reduce temperature within LED driver housing.





## Specification

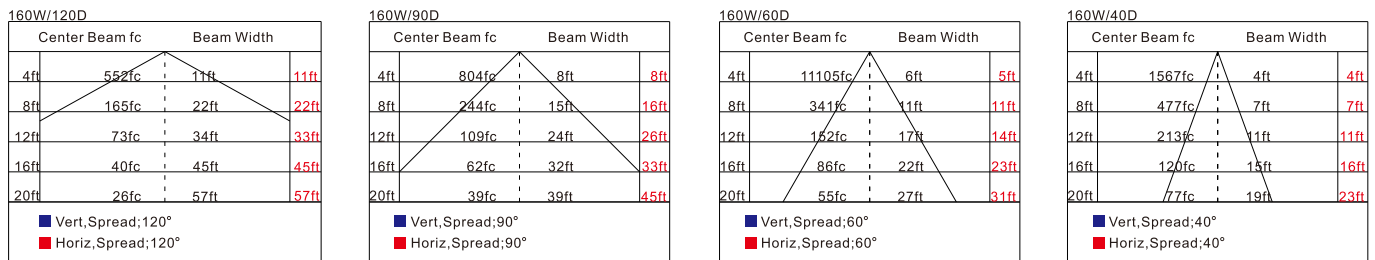
Model	Wattage	Color Temperature	Voltage	Lumens	Warranty	CRI
EX-20W Q1YZDA	20	2200K-7000K	AC100-277/220-480V	2800	5 years	>70
EX-40W Q1YZDA	40			5600		
EX-60W Q1YZDA	60			8400		
EX-80W Q1YZDA	80			11200		
EX-100W Q2YZDA	100			14000		
EX-150W Q2YZDA	150			21000		
EX-200W Q2YZDA	200			28000		

"Q1,Q2"=Product code, "Y"=D or N:Dimmable or non-dimmable "Z"=CCT, from 2200-7000K  
 "D"=Beam angle, D40 for 40°, D60 for 60°, D90 for 90°, D120 for 120°  
 A for glass info. blank for flat glass, c for spherical glass.

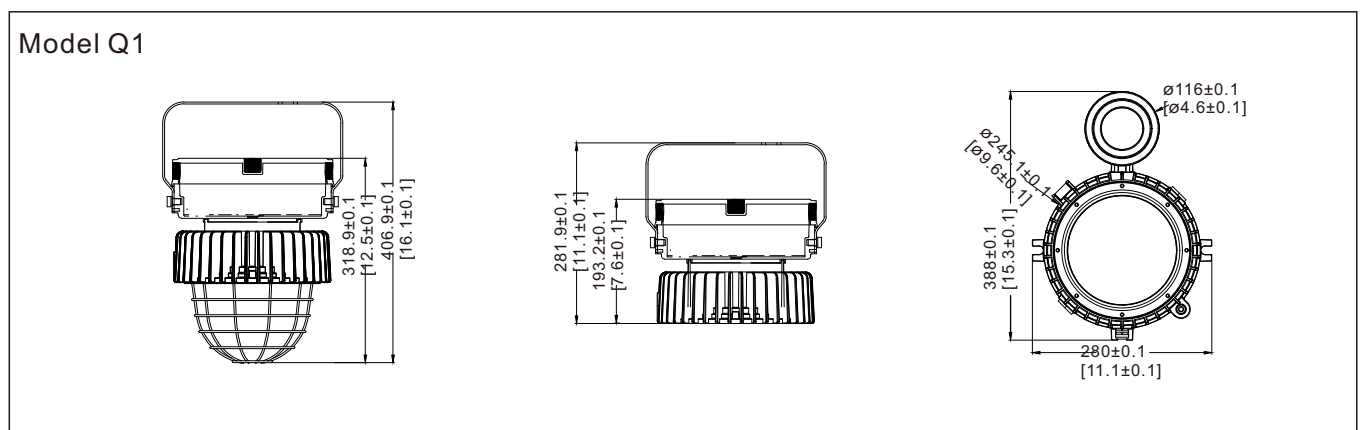
## Packing Information

Model	Quantity/Carton	Packing Size(mm)	N.W(KG)	G.W(KG)
Q1	1	530*520*380	10.5	12.5
Q2	1	400*480*300	12.6	15

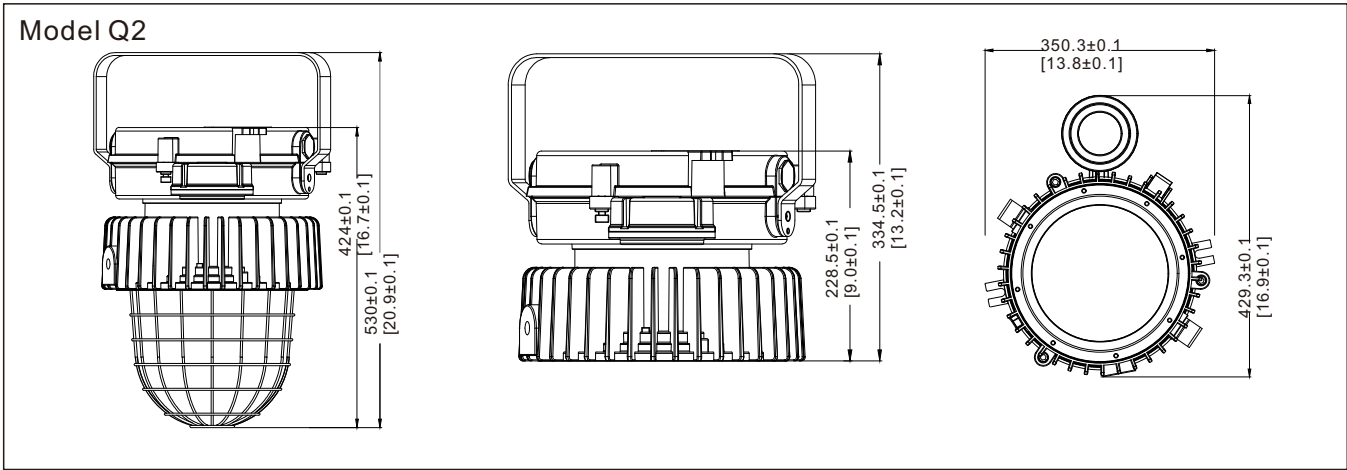
## Light Distribution



## Dimension

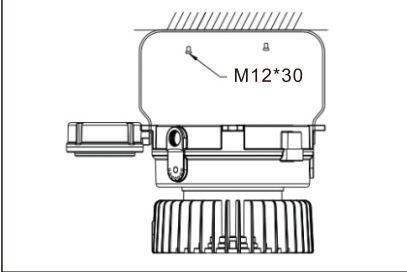




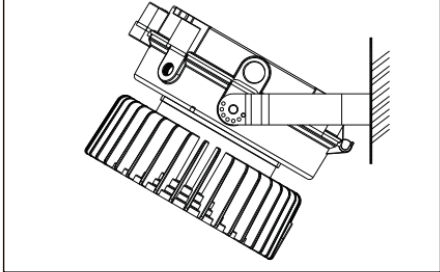


# Mounting

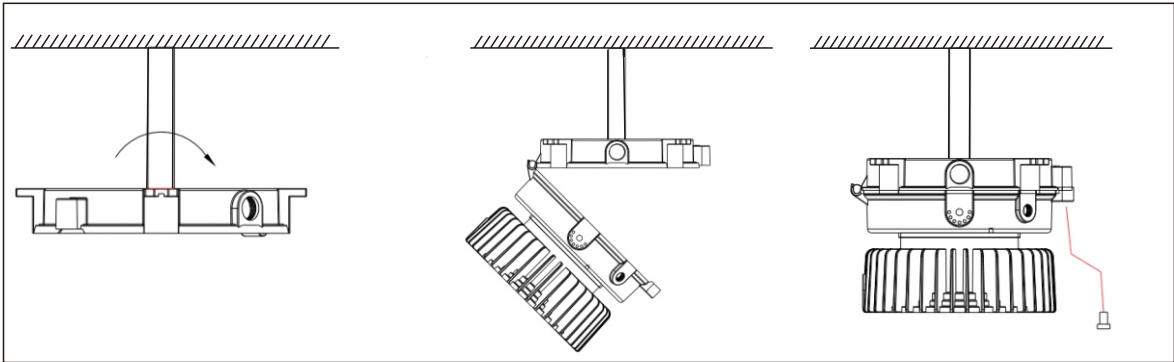
No.1 Bracket Ceiling Mounting



No.2 Bracket Wall Mounting



No.3 Pole Mounting



# Accessories

Bracket



Straight Pipe

