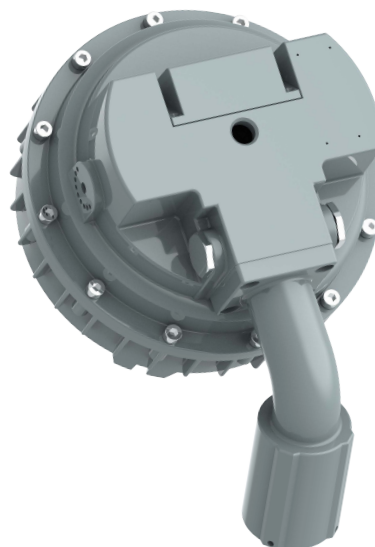


S Series

LED Explosion Proof Light



Certifications:

- ⦿ ATEX Marking:
 - ⦿ Ex db eb IIB T6/T5/T4 Gb
 - ⦿ Ex tb IIIC T80°C/T95°C/T130°C Db
- ⦿ IECEx Marking:
 - ⦿ Ex db eb IIB T6/T5/T4 Gb
 - ⦿ Ex tb IIIC T80°C/T95°C/T130°C Db
- ⦿ Ambient Temperature:
 - ⦿ -40°C to 60°C (-40°F to 140°F)
- ⦿ IP66
- ⦿ IK10

LED Explosion Proof Light - S Series

Key Features:

- ① High-quality SMT LED and Meanwell driver.
- ② Heat and impact resistant glass lens.
- ③ Compact structure, small size and light weight for easy installation.
- ④ Low temperature applications to -40°C (-40°F) and high temperature up to 60°C (140°F).
- ⑤ High vibration and impact resistance.
- ⑥ Constructed of die-casting aluminum and epoxy powder coated, better corrosion resistance.

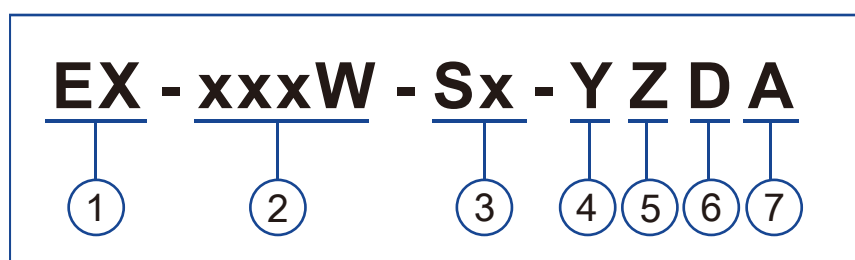
Additional Features:

- ◆ Changeable light source and battery makes replacement super easy.
- ◆ Beam angles are optional: 40°/60°/90°/120°.
- ◆ 5-year warranty.

Standard Materials:

- ◆ Housing: Aluminum
- ◆ Lens: Tempered glass
- ◆ Hardware: Aluminum
- ◆ Mounting Bracket: Aluminum/SUS 304

Catalog Number Logic:



① **PRODUCT CATEGORY**
◆ Explosion proof light

② **WATTAGE**
◆ 20W-200W

③ **PRODUCT SERIES**
◆ S Series

④ **DIMMING FUNCTION**
◆ Y=D: Dimmable
◆ Y=N: Non-dimmable

⑤ **CCT**
◆ 2200K-7000K

⑥ **BEAM ANGLE**
◆ D40= 40°
◆ D60= 60°
◆ D90= 90°
◆ D120= 120°

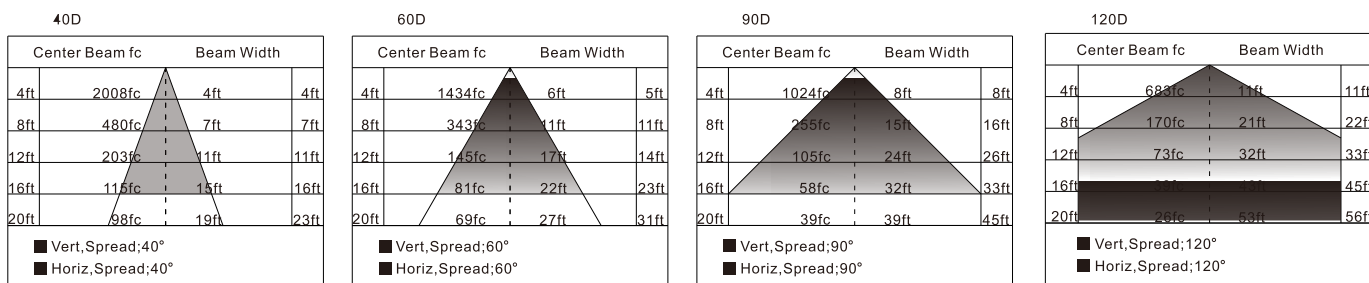
⑦ **GLASS TYPE**
◆ A=blank: Flat glass
◆ A=c: Spherical glass

LED Explosion Proof Light - S Series

Technical Data:

Model	Wattage	Operating Voltage	Total Lumens (lm)	Efficacy (lm/W)	CRI	CCT
EX-20W S1YZDA	20W	AC100-277V/220-480V	2,800	140	>70	2200K-7000K
EX-40W S1YZDA	40W	AC100-277V/220-480V	5,600	140	>70	2200K-7000K
EX-60W S1YZDA	60W	AC100-277V/220-480V	8,400	140	>70	2200K-7000K
EX-80W S1YZDA	80W	AC100-277V/220-480V	11,200	140	>70	2200K-7000K
EX-100W S2YZDA	100W	AC100-277V/220-480V	14,000	140	>70	2200K-7000K
EX-150W S2YZDA	150W	AC100-277V/220-480V	21,000	140	>70	2200K-7000K
EX-200W S2YZDA	200W	AC100-277V/220-480V	28,000	140	>70	2200K-7000K

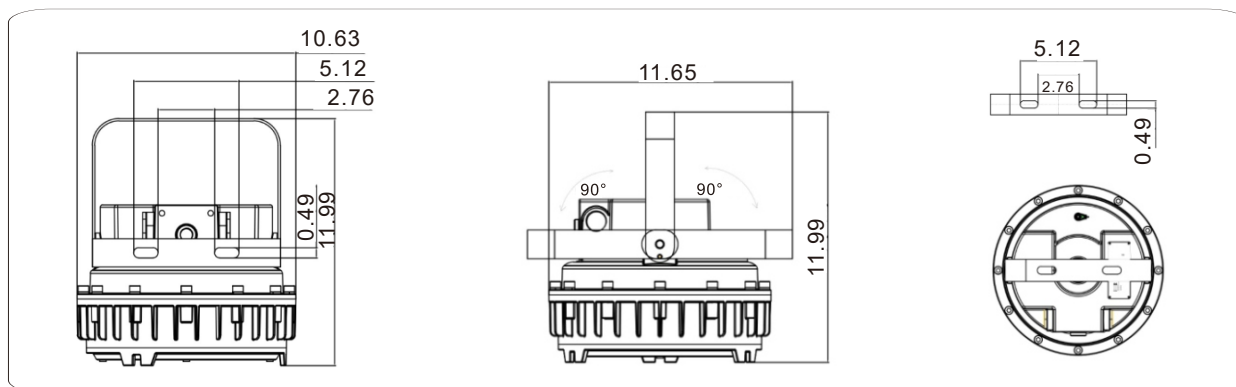
Photometry:



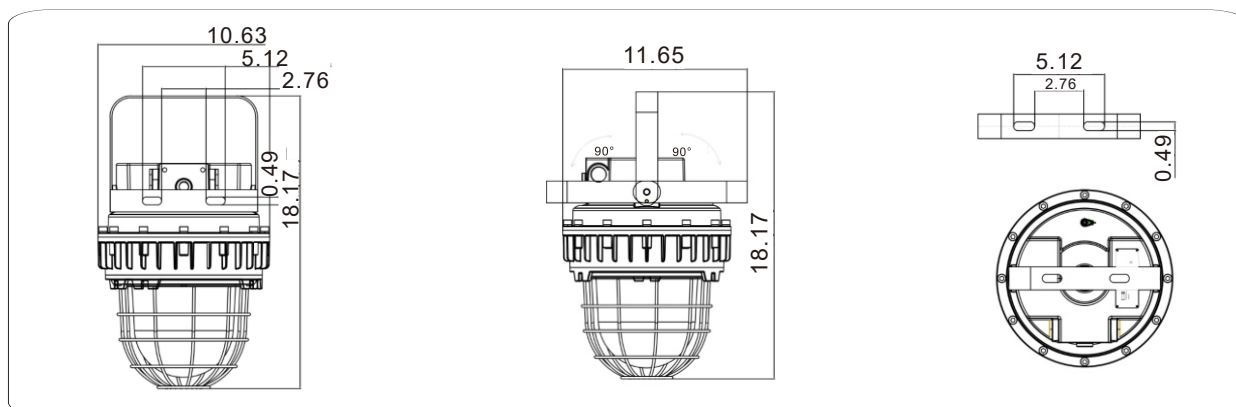
Dimensions:

Unit: inch

Option A: Flat glass



Option B: Globe glass



LED Explosion Proof Light - S Series

Packing Information:

Model	Quantity/Carton	Packing Size	Net Weight	Gross Weight
EX-xxxW SxYZDA	1 PCS	18.11x19.29x11.42inch	12.5 kg/ 27.56 lbs	15 kg/ 33.07 lbs

Accessories & Mounting:



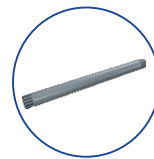
25° Pole Support



Bracket

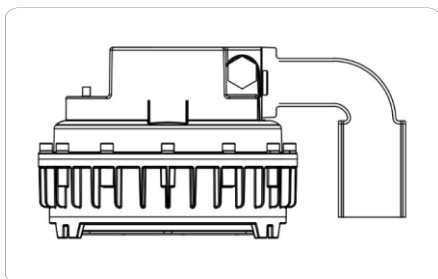


90° Pole Support

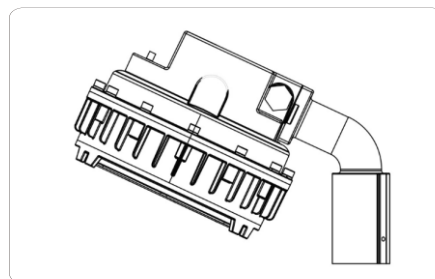


Straight Pipe

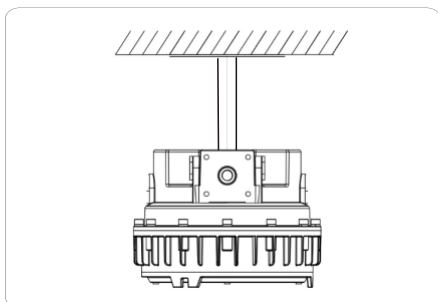
◆ Pole Mounting



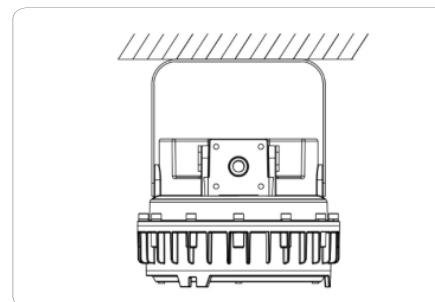
◆ 25° Pole Mounting



◆ Pendant Pole Mounting



◆ Bracket Surface Mounting



LED Explosion Proof Light - S Series

Application :

- ◆ Oil and gas industry
 - All petroleum production and refining
 - Petroleum loading and transportation
 - Petroleum storage and retail
 - LNG industry
 - All mining operations and service
- ◆ Ocean, marine and aerospace field
 - Ocean platform operation facilities
 - Aerospace clean room and production
 - Ocean vessel operations
- ◆ Food and alcohol industry
 - Flour and fine particle production and storage
 - Food and distilling production
 - Alcohol industry
- ◆ Chemical industry
 - All types of paint facilities
 - Chemical production and storage
- ◆ Metal treatment
 - Steel and aluminum factories
 - Pumping stations in any environment
 - Metal smelting, foundry and fabrication
- ◆ Other high humidity, high dust, high temperature, vapor locations.